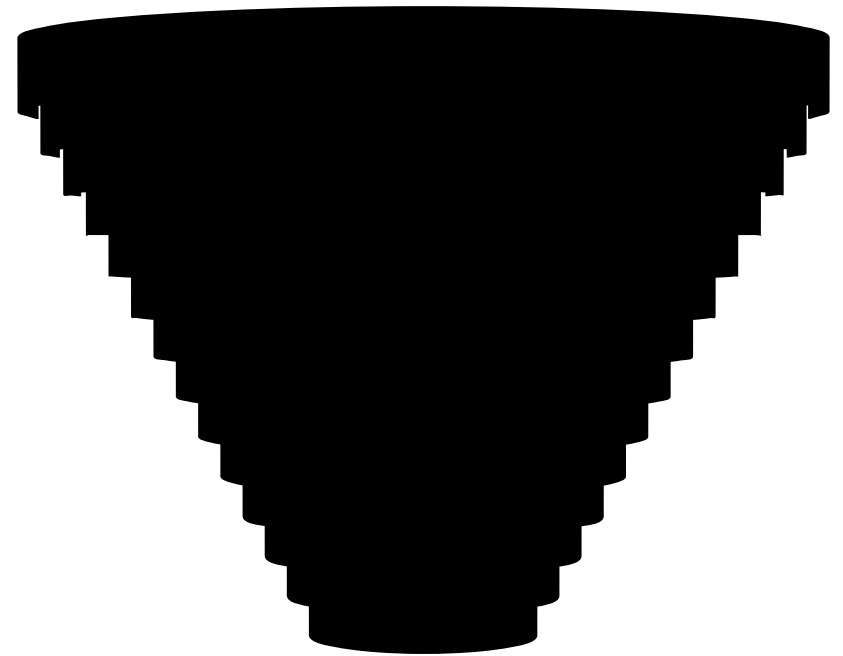


**artek**  
www.artek.fi

# LIGHT A910

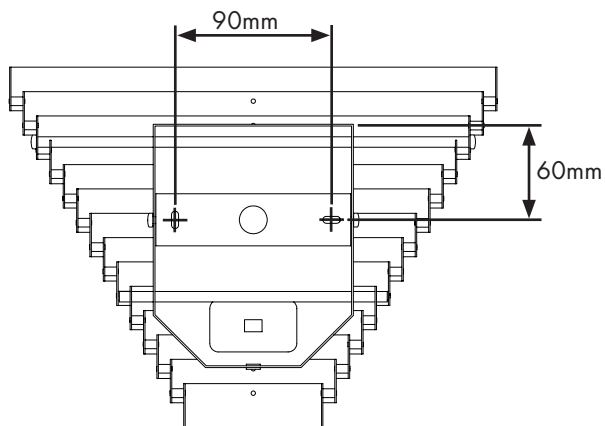
**artek**



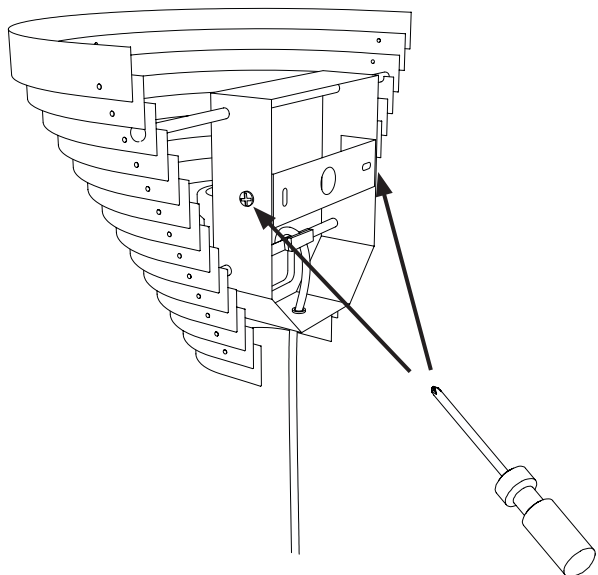
## **BEFORE YOU START**

Read these instructions carefully before commencing installation. Do not attempt to fit installation unless you are competent. If any doubt consult a qualified electrician. The lighting is intended for use in a normal dry indoor environment.

### Mounting hole measurements

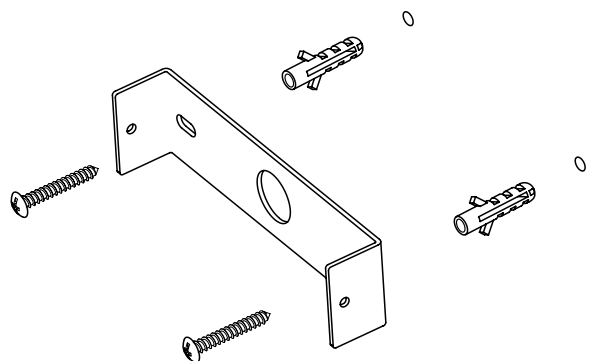


1. Remove the wall bracket by unfastening the screws. Be careful not to damage the shade.

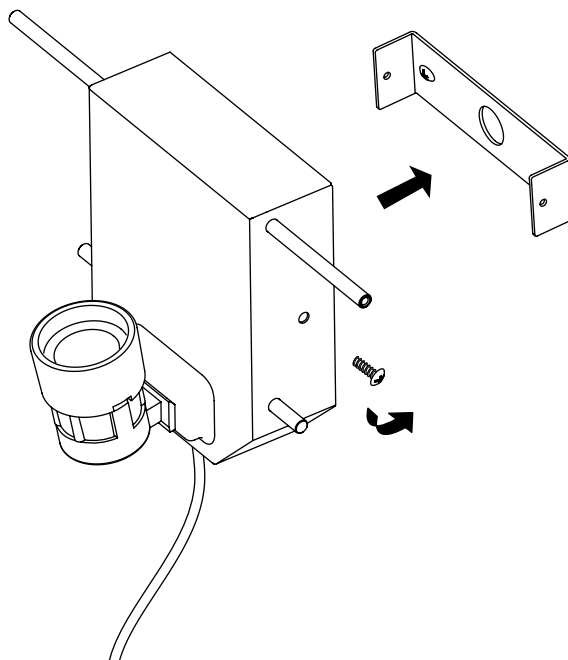


2. Drill two  $\varnothing 6$ mm holes to the wall. The distance between holes should be 90mm. Make sure the holes are horizontal. Install plastic plugs to the holes.

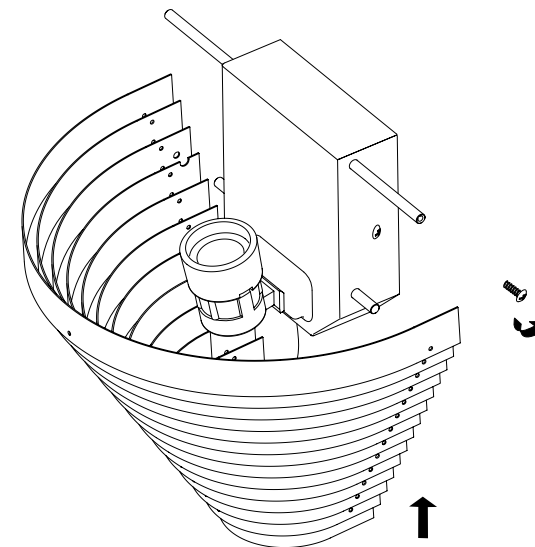
3. Install wall bracket as shown below.



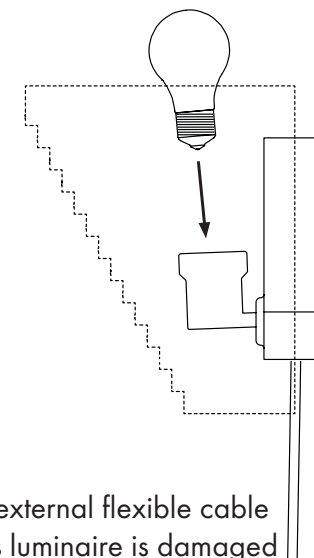
4. Attach the mounting cup to wall bracket by fastening the screws



5. Attach shade to mounting cup by fastening the screws.



5. Attach the lightsource. Use max. 60W, E27.



NOTE: If the external flexible cable or cord of this luminaire is damaged it shall be exclusively replaced by the manufacturer or his service agent or similar qualified person.