

Audo

COPENHAGEN



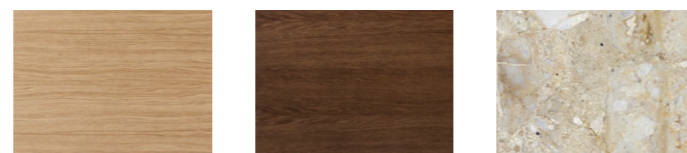
ANDROGYNE DINING TABLE
Designed by *Danielle Siggerud*

Dining table with natural or dark stained solid oak base. Tabletop in matching colour (Ø120, Ø150) or Kunis Breccia stone (Ø120).



PRODUCT OPTIONS

Tabletop



NATURAL OAK

DARK STAINED OAK

KUNIS BRECCIA STONE

Oak base



NATURAL OAK

DARK STAINED OAK

PRODUCT TYPE
Dining table

COLLI
1

ENVIRONMENT
Indoor

DIMENSIONS

Ø120
W/D: 89 cm / 35"
H: 73 cm / 28,8"
Ø: 120 cm / 47,2"

Ø150
W/D: 89 cm / 35"
H: 73 cm / 28,8"
Ø: 150 cm / 59,1"

PRODUCTION PROCESS

CNC-cut and hand-polished stone or CNC-cut MDF with oak veneer. CNC-cut steel fitting with powder coated finish.

Being composed of a natural material, each product is unique and the surface may nuance compared to the images.

COLOUR

Base and tabletop
Natural oak
Dark stained oak

Marble top
Sand, Kunis Breccia stone

TECHNICAL SPECIFICATIONS

GLOSS
N / A

MATERIALS
Natural and dark stained oak veneer, MDF, Kunis Breccia stone, powder coated steel and PA plast glides

WEIGHT

Wood tabletop
Ø120: 25 kg / 55,1 lb
Ø150: 35 kg / 77,2 lb

Kunis Breccia tabletop
Ø120: 90 kg / 198,4 lb

Wood base
15 kg / 33,1 lb

TEST
N / A

CERTIFICATIONS
TSCA title VI compliant

Declare.

PACKAGING TYPE

Wood tabletop
Brown box

Kunis Breccia tabletop
Wood box

Base
Brown box

PACKAGING MEASUREMENTS
(H × W × D)

Wood tabletop Ø120
5,5 cm × 121,5 cm × 121,5 cm /
2,2" × 47,8" × 47,8"

Wood tabletop Ø150
5,5 cm × 151,5 cm × 151,5 cm /
2,2" × 59,6" × 59,6"

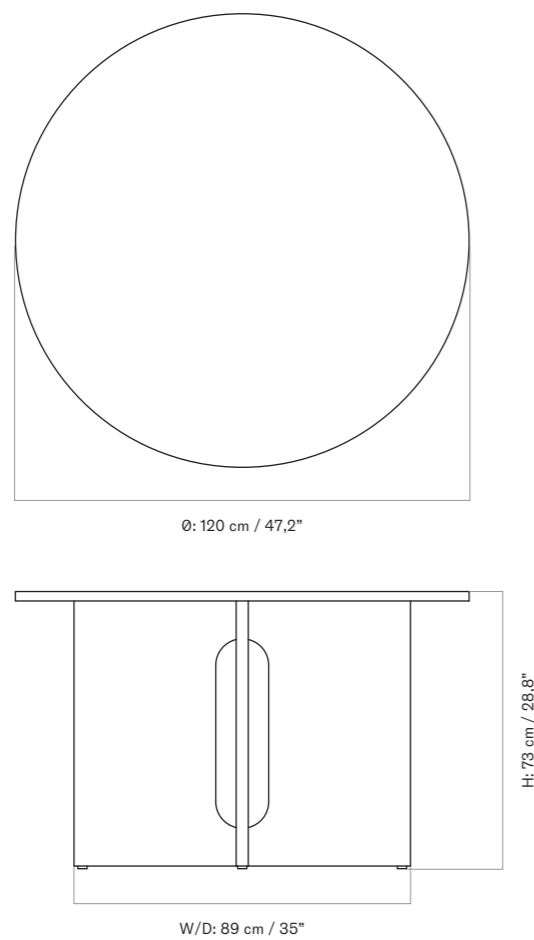
Kunis Breccia tabletop Ø120
10 cm × 130 cm × 130 cm /
4" × 51,2" × 51,2"

Wood base
7 cm × 71,5 cm × 99,9 cm /
2,8" × 28,1" × 39,3"

MATERIALS & MAINTENANCE
Please visit audocph.com for materials, care and maintenance instructions.

TECHNICAL SPECIFICATIONS

Androgyne Dining table, Ø120



TECHNICAL SPECIFICATIONS

Androgyne Dining table, Ø150

