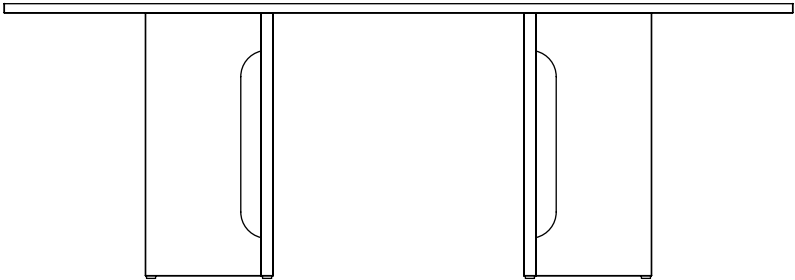


# Audo

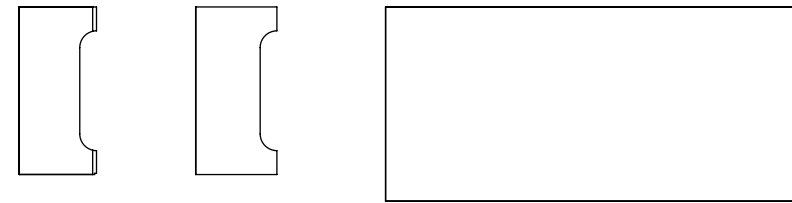
COPENHAGEN



ANDROGYNE DINING TABLE, RECTANGULAR  
Designed by *Danielle Siggerud*

---

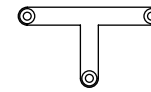
## Component Overview



2 x Horizontal Leg

4 x Vertical Leg

1 x Table Top



2 x Base Brackets



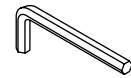
6 x Base /  
Table Top Brackets



24 x Screws



6 x Glide



1 x Allen Key

Congratulations on your ANDROGYNE DINING TABLE  
designed by *Danielle Siggerud*.

We hope you will enjoy using this  
item and follow these instructions to ensure  
correct assembly. These instructions are provided  
for your safety.

It is important that the instructions are read carefully  
and completely before assembling.

---

### *Caution*

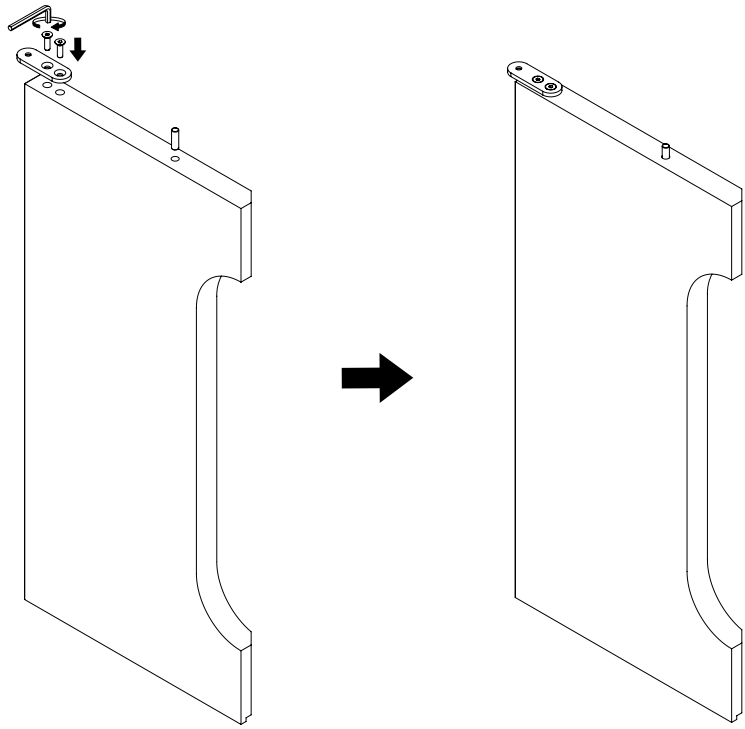
Please ensure that all assembly is done on a soft and flat surface, to ensure that the components will not be damaged/scratched. During assembly of the base, loosely tighten screws. When all screws are in place, you may then tighten the screws completely.

---

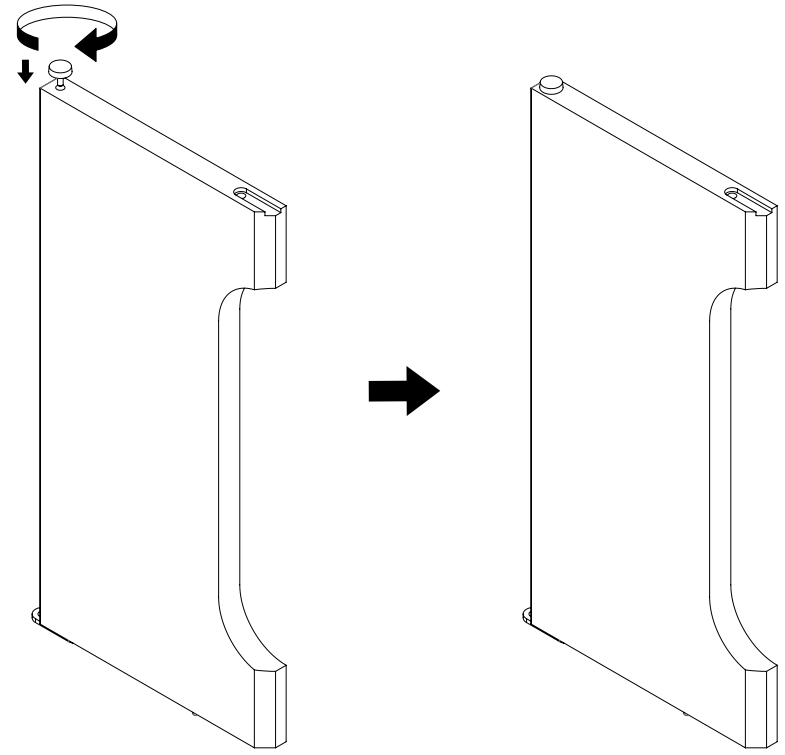
### *Care and maintenance*

Please see care instructions on [www.audocph.com](http://www.audocph.com)

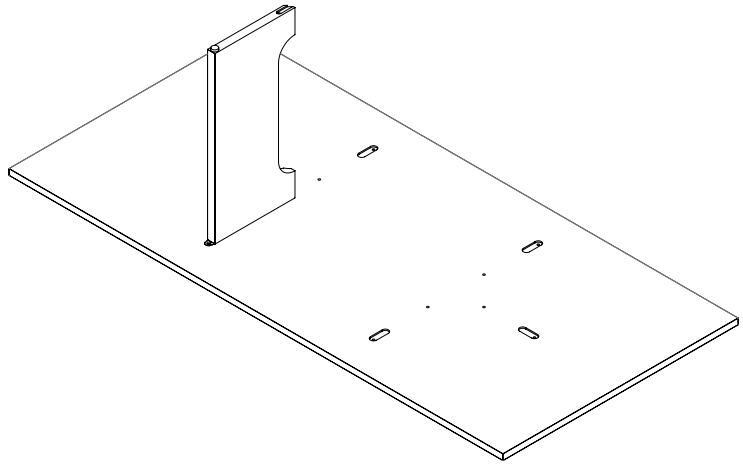
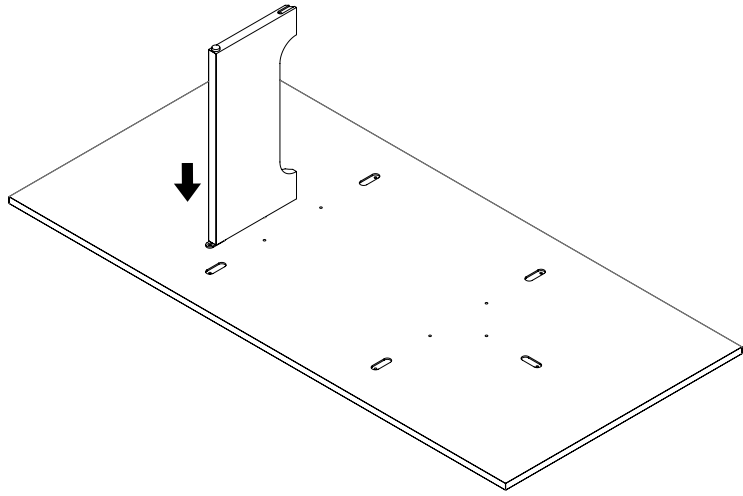
1



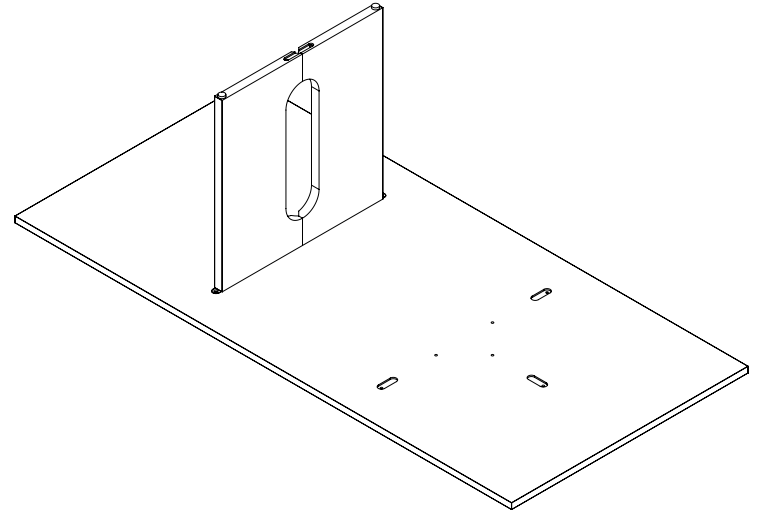
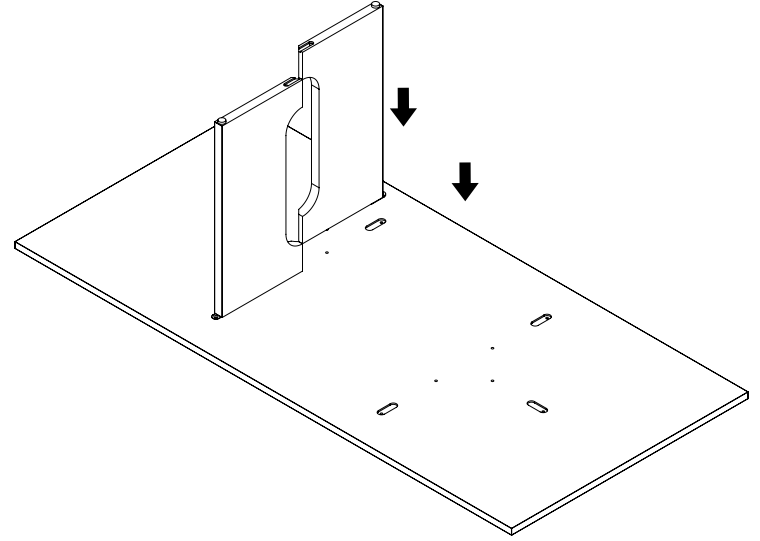
2



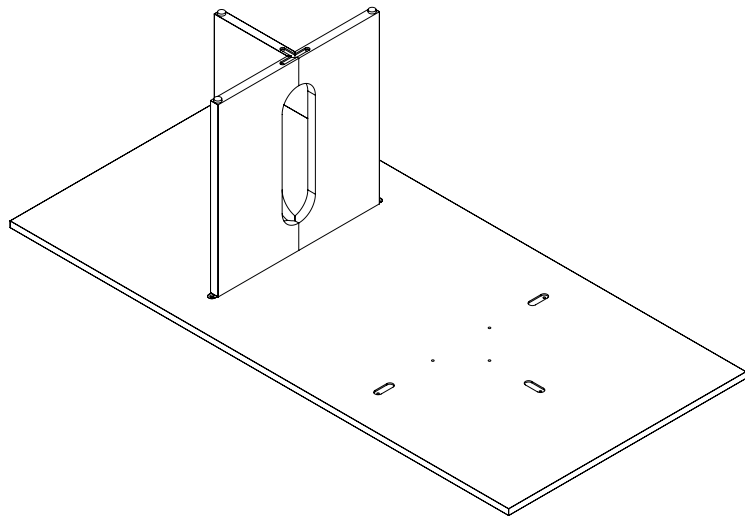
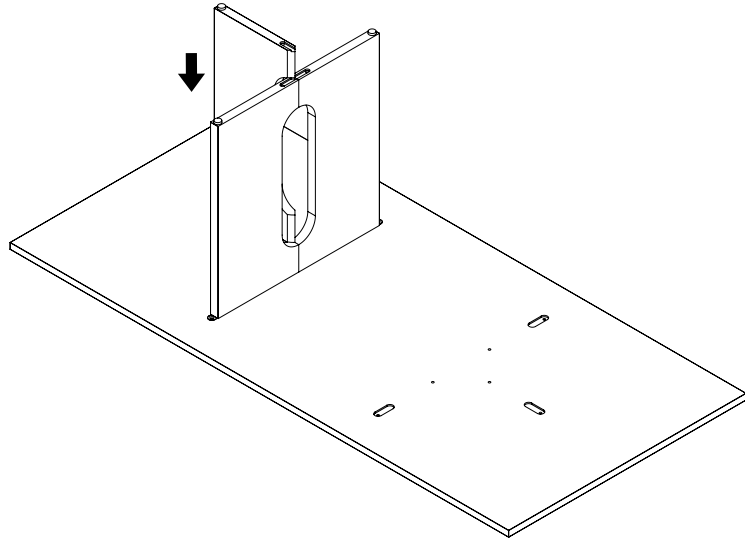
3



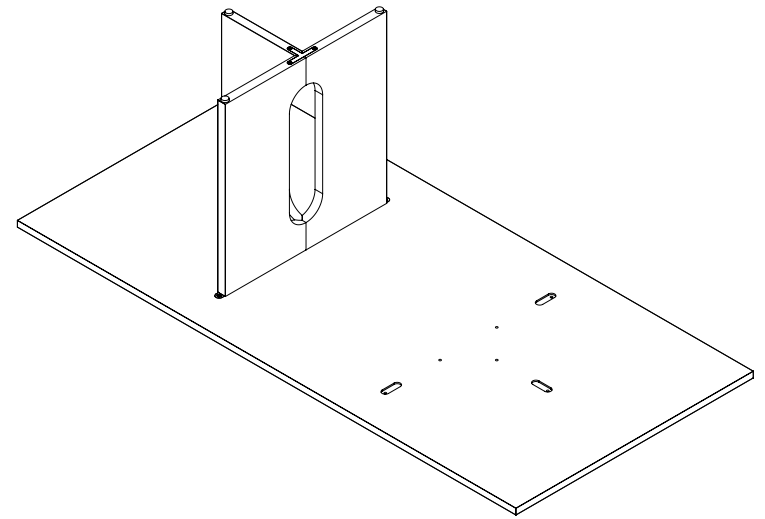
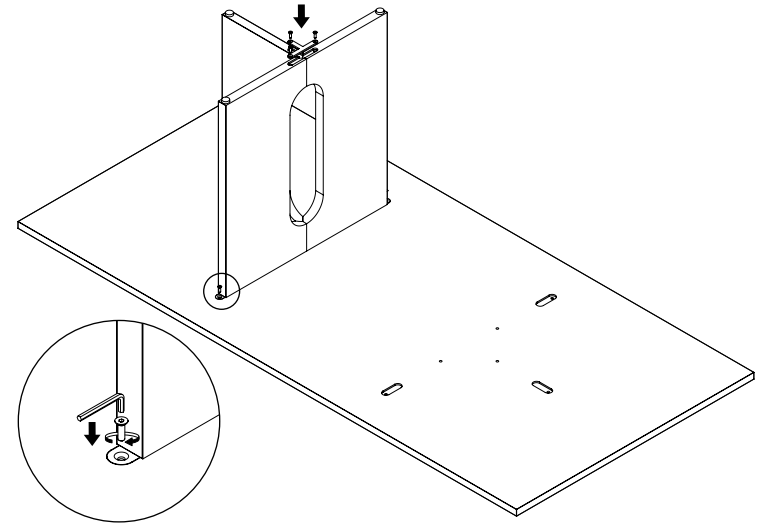
4



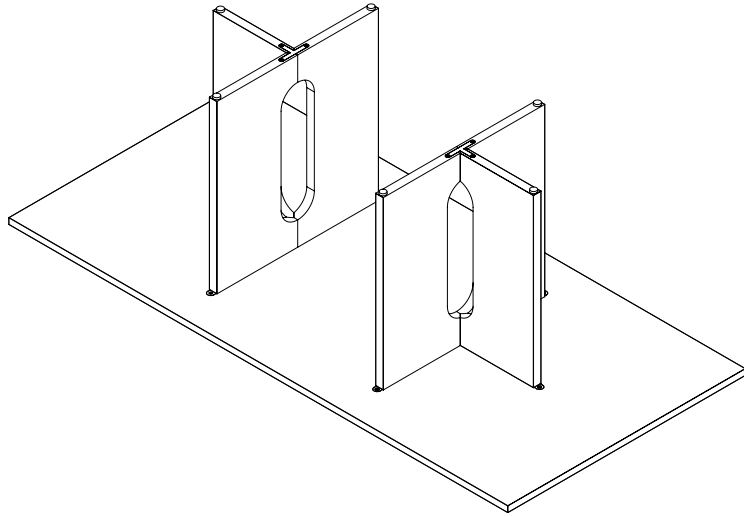
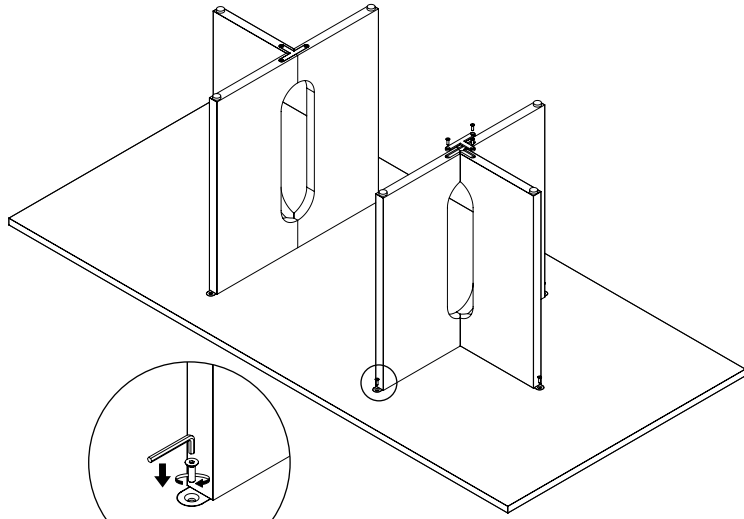
5



6



7



8

