

Audo

COPENHAGEN



PASSAGE BAR STOOL
Designed by *Krøyer-Sætter-Lassen*



PASSAGE BAR STOOL

Designed by *Krøyer-Sætter-Lassen*

Bar stool in solid, lacquered walnut or FSC™-certified solid, lacquered oak. Available with black, brushed steel or brass foot ring. Flat packed for easy self-assembly.



NATURAL OAK WITH BLACK RING
9115039



WALNUT WITH BRASS RING
9115879

TECHNICAL SPECIFICATIONS

PRODUCT TYPE
Bar stool

COLLI
1

ENVIRONMENT
Indoor

DIMENSIONS
H: 75 cm / 29,5"
W/D: 47 cm / 18,5"
SD: 33 cm / 13"
FH: 27.5 cm / 10,8"

PRODUCTION PROCESS
CNC-cut solid wood. Choose between a stainless steel or solid brass footring for added elegance.

COLOUR
Natural oak
Walnut

MATERIALS
Solid walnut, oak, stainless steel

GLOSS
N / A

WEIGHT
7 kg / 15,4 lb

TEST
N / A

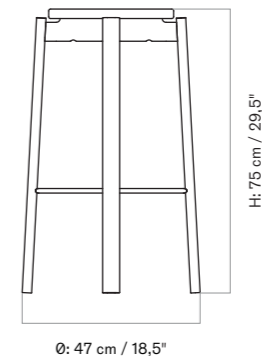
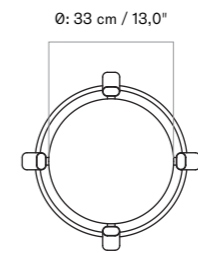
CERTIFICATIONS
Crafted from FSC certified oak

WARRANTY
2

PACKAGING TYPE
Gift box

PACKAGING MEASUREMENTS
(H × W × D)
15 cm × 53 cm × 79 cm /
5,91" × 20,87" × 31,1"

MATERIALS & MAINTENANCE
Please visit audocph.com for materials, care and maintenance instructions.





PASSAGE BAR STOOL, UPHOLSTERED SEAT
Designed by *Krøyer-Sætter-Lassen*

Bar stool in solid, lacquered walnut or FSC™-certified solid, lacquered oak.
Available with upholstered seat and black, brushed steel or brass foot ring.



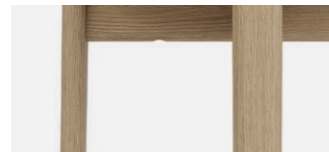
PRODUCT OPTIONS

Seat

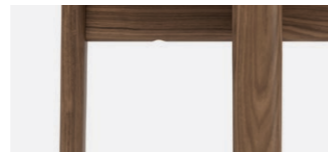


UPHOLSTERY

Base



NATURAL OAK



WALNUT

Foot ring



BRUSHED STEEL



BRASS

Spec options

Available in fabrics from our upholstery programme.
Standard lead times apply.

For custom upholstery, please refer to the guiding
textile consumption:
COM: 0.6 m
COL: 0.48 m²

Prices excl. custom upholstery are equal to Price Category 1
Textile or Leather. Contact Sales support for approval of custom
upholstery and to place your order.

The above textile consumption is only valid for textile rolls with a width equal to
or greater than 140 cm. For smaller textile rolls, please contact Sales Support for
guidance. For textile with pattern, please expect a higher usage for correct pattern
fitting. Please contact Sales Support for guidance.

PRODUCT TYPE
Bar stool

COLLI
1

ENVIRONMENT
Indoor

DIMENSIONS
H: 76 cm / 29,9"
W/D: 47 cm / 18,5"
SD: 33.5 cm / 13,1"
FH: 27.5 cm / 10,8"

PRODUCTION PROCESS
CNC-cut solid wood. Choose between a
stainless steel or solid brass footring for
added elegance. The padded seat enhances
comfort, making this piece a perfect blend
of style and functionality.

TECHNICAL SPECIFICATIONS

COLOUR

Seat
Dependent on selected upholstery

Base
Natural oak
Walnut

MATERIALS
Solid walnut, oak, upholstery, foam,
stainless steel

GLOSS
N / A

WEIGHT
7 kg / 15,4 lb

TEST
N / A

CERTIFICATIONS
Crafted from FSC certified oak

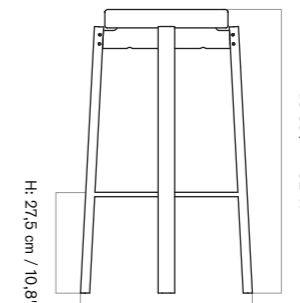
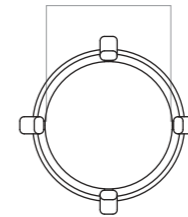
WARRANTY
2

PACKAGING TYPE
Gift box

PACKAGING MEASUREMENTS
(H × W × D)
15 cm × 53 cm × 79 cm /
5,91" × 20,87" × 31,1"

MATERIALS & MAINTENANCE
Please visit audocph.com for materials, care
and maintenance instructions.

Ø: 33,5 cm / 13,1"



W/D: 47 cm / 18,5"