

# Camaleonda

SOFAS

2020

Mario Bellini



## Description

In its new version, Camaleonda preserves the elements that have made it an iconic piece of furniture. Certain elements remain faithful to the original project, such as the 90x90 cm seat module, the backrest and armrest, and the characteristic capitonné design, still manufactured with the innovative system of cables, hooks and rings created by Bellini in 1970, which defines its characteristic look and modularity. Internally, instead, it has been completely redesigned to make Camaleonda even more comfortable than the original, as well as sustainable. The internal structure is now built like a sandwich, with easily disassembled layers of recycled or recyclable materials. The core of the seats, backs and armrests is made up of wooden panels; the padding is made of polyurethane in various levels of density and firmness, with different shaped layers interacting to create a comfortable spring-like effect. This engineering feature makes Camaleonda extraordinarily comfortable and allows the interior of the sofa to be disassembled, making it easy to recycle. The fundamental characteristic of Camaleonda is its unlimited modularity, a geometric nature that allows each element to become a sort of enormous pixel through which to define your home environment. Thanks to the tie-rods and rings, the modules can be unhooked and recombined at will, allowing the sofa to adapt to an evolving taste and to the dynamic needs of those using it, while always maintaining its unique identity. Camaleonda can be upholstered with the entire textile and leather range of B&B Italia, allowing for another variable in the multitude of possible combinations.

# Technical information

---

**Base-frame**

MDF NAF wood fibre

**Seat upholstery**

shaped polyurethane of different density, cover in polyethylene terephthalate or polyethylene and nylon with studs in nylon

**Back upholstery**

shaped polyurethane, polyurethane foam, cover in polyethylene terephthalate or polyethylene and nylon

**Armrest upholstery**

polyurethane foam, cover in polyethylene terephthalate or polyethylene and nylon

**Rings**

brass

**Carabiner**

stainless steel

**Cord**

polypropylene

**Cord holder cap and joining element**

plastic material

**Feet**

solid wood

**Ferrules**

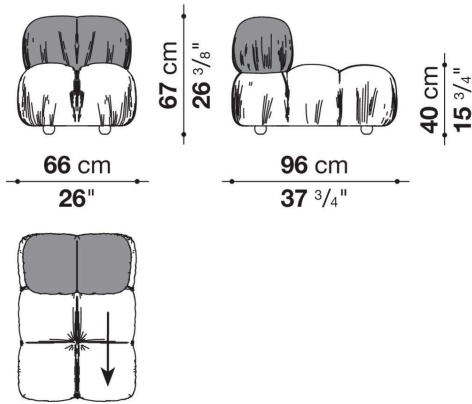
plastic material

**Cover**

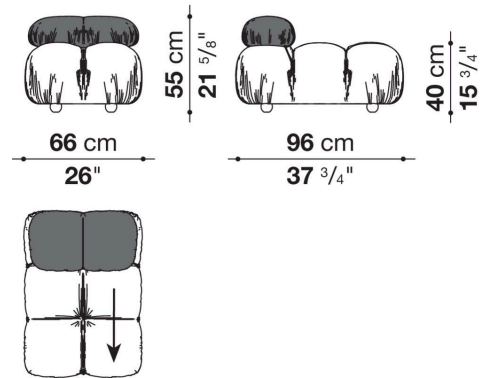
fabric or leather with metal studs

# Technical drawings

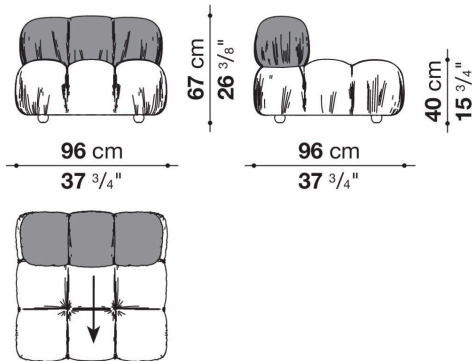
**CM66C**



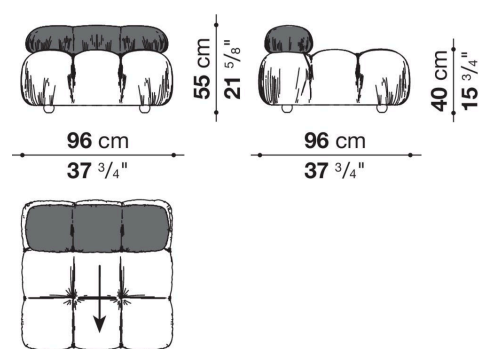
**CM66B\_C**



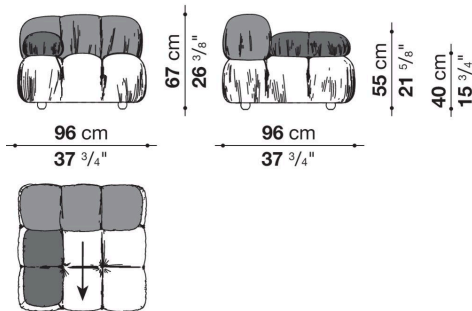
**CM96C**



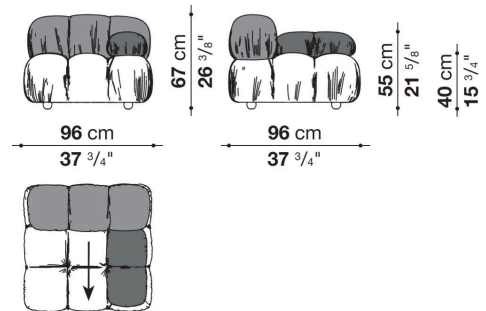
**CM96B\_C**



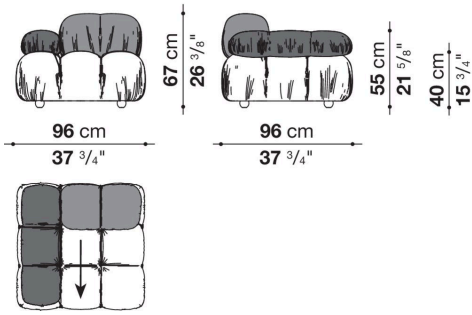
**CM96B\_TS1**



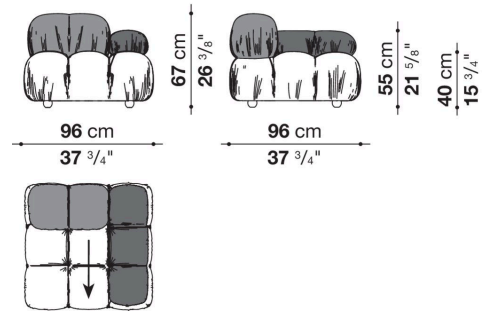
**CM96B\_TD1**



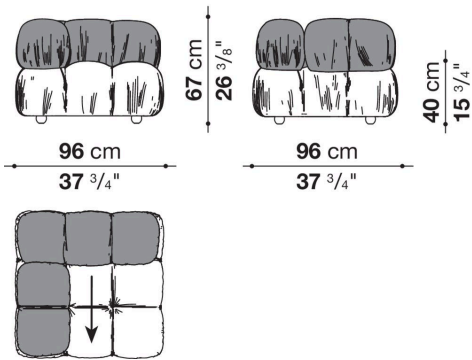
**CM96B\_TS2**



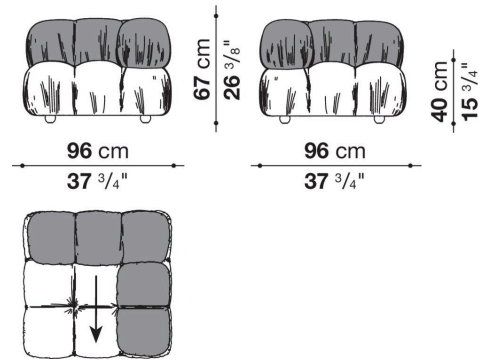
**CM96B\_TD2**



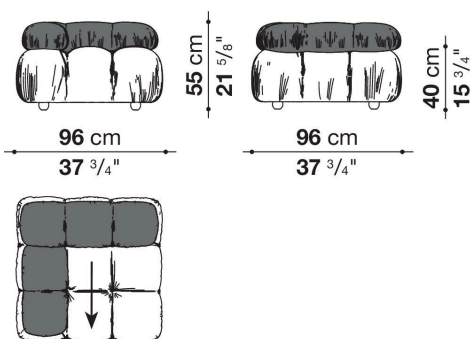
**CM96AS**



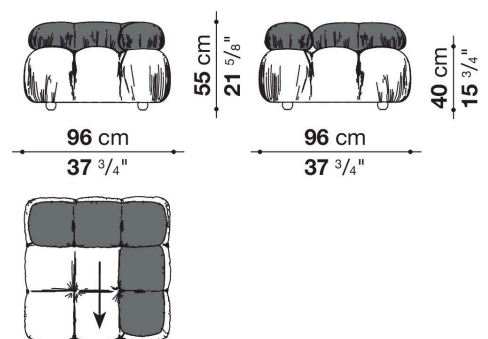
**CM96AD**



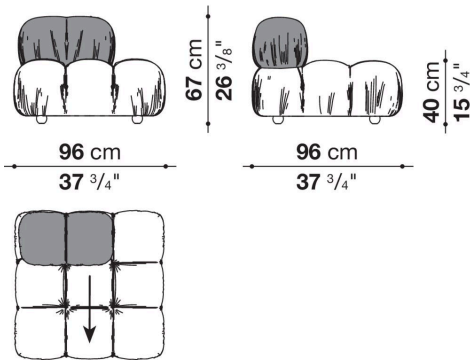
**CM96B\_AS**



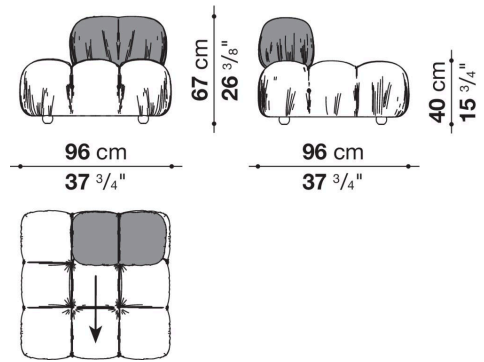
**CM96B\_AD**



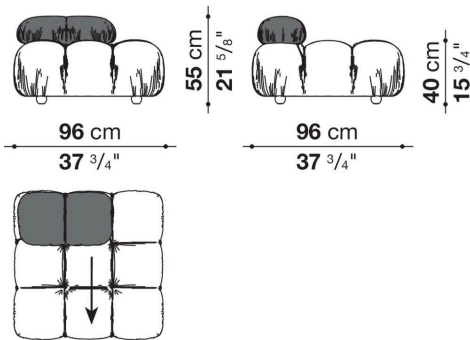
### CM96TPS



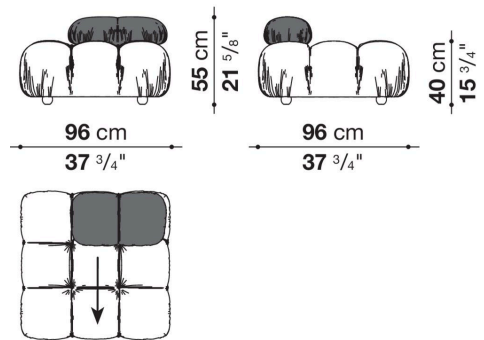
### CM96TPD



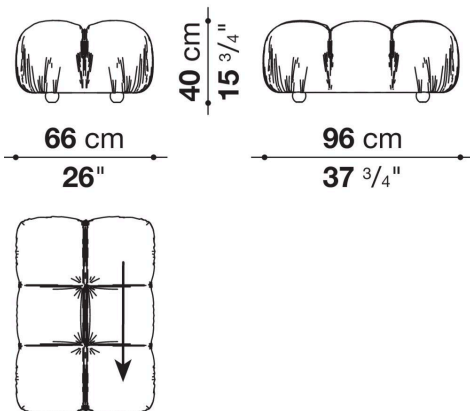
### CM96B\_TPS



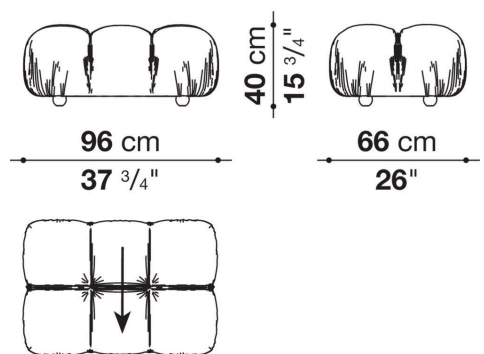
### CM96B\_TPD



### CM66P



### CM96P



# CM96PQ

