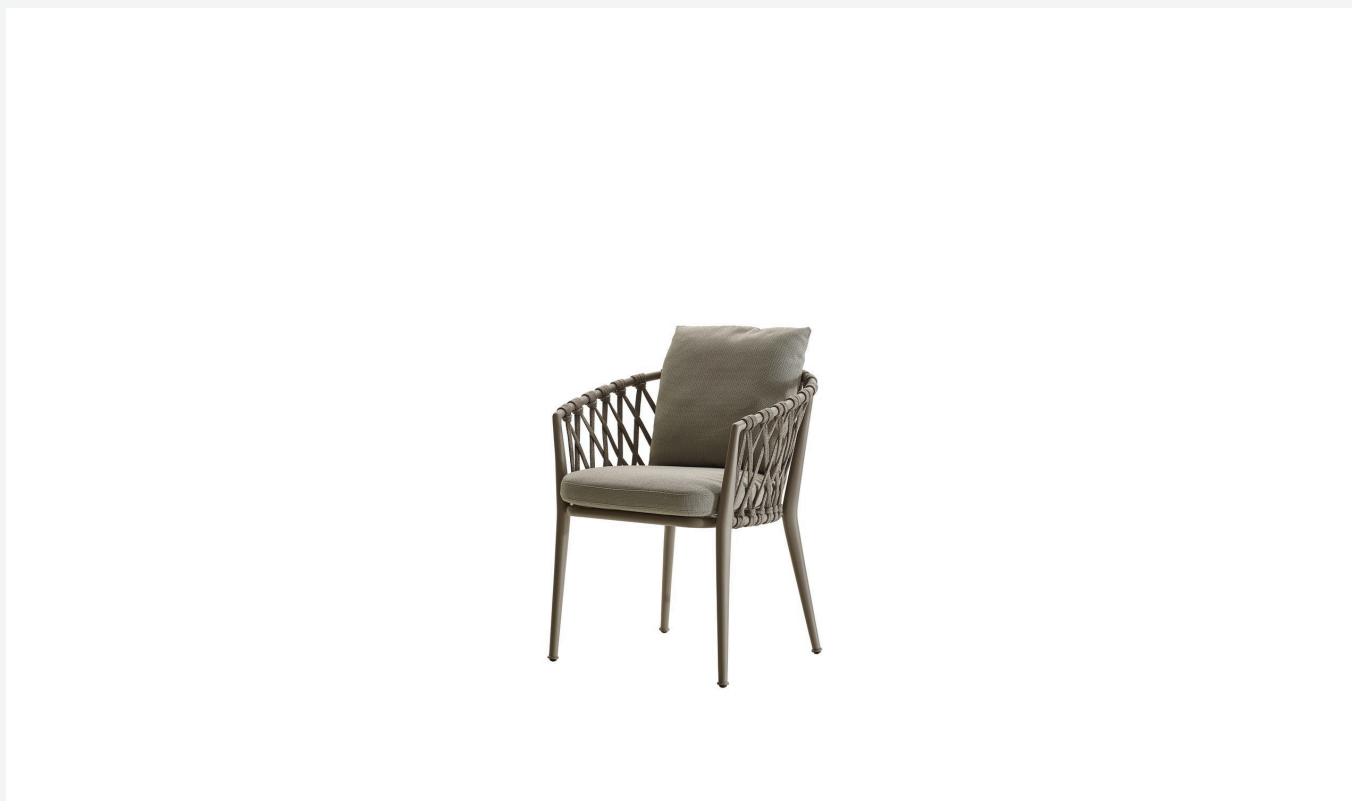


# Erica

CHAIRS

2017

Antonio Citterio



## Description

---

Chair with a stackable version, it offers a technological blend of extruded and die-cast aluminium elements. Its lightness and design makes it ideal for both public and residential settings, featuring seat cushions for ergonomic comfort together. Different finishes of the painted frames, combined with interlacing of synthetic fabric tapes with a high tenacity internal core designed for outdoor use.

## Technical information

---

**Frame**

die-cast aluminium and extrusions with polyester powder painting

**Back upholstery**

polyester fibre and polyurethane combination

**Seat upholstery**

shaped polyurethane, cover in water repellent polyester fibre (with heat-sealed ribbon)

**Interlacing**

polypropylene fibre braid

**Seat webbing**

polypropylene fibre and synthetic rubber threads

**Ferrules**

thermoplastic material

**Waterproof cover cloth**

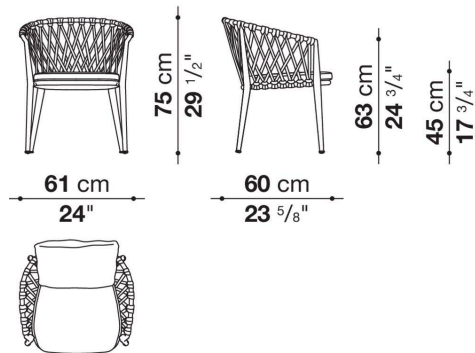
PES fabric coated on one side in PU

**Cover**

fabric in limited categories

# Technical drawings

**E61S**



**E61S\_I**

