



PK24™

The PK24™ chaise longue chair, with its easy curves and organic shape, stands out as perhaps the most recognizable chair in Poul Kjærholm's work. Inspiration for this chair comes from the Rococo period and the French chaise longue – 'long chair' – that featured the same curve and size. The chair is a prime and almost extreme example of Kjærholm's principle of designing with independent elements.

Consequently, the chair has no physical connection between the main parts, which are instead kept together by gravity and the friction between the elements. Kjærholm also labelled the PK24 the "Hammock Chair" to stress that the chair functioned by suspending the body between two points.



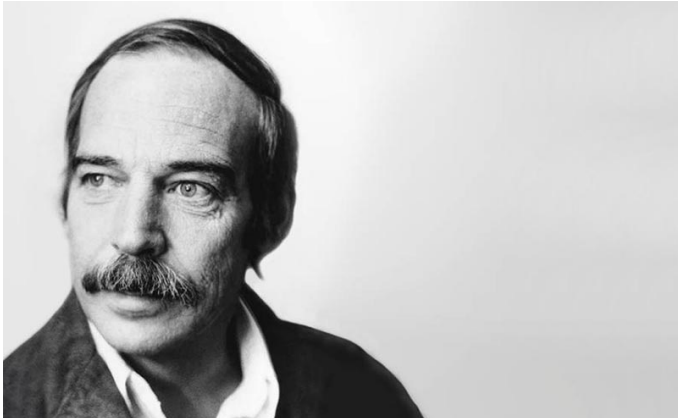
REPUBLIC OF **Fritz Hansen®**

PRODUCT DESCRIPTION

The PK24™ chaise longue is available in wicker and leather, both versions include a leather headrest. The seat and back are curved on a steel frame covered with handwoven wicker or leather – they glide on the frame thus adjusting to the desired position. The head cushion - covered in leather and with a counterweight of stainless steel - is adjustable, optimizing the comfort and rest. The frame is made of satin brushed stainless spring steel

DESIGN

Poul Kjærholm, 1965.



POUL KJÆRHOLM 1929-1980

Poul Kjærholm was a trained cabinet maker and continued his studies at the Danish School of Arts and Crafts in Copenhagen. He had a particular interest in different construction materials, especially steel, which he considered a natural material with the same artistic fineness as other natural materials.

Poul Kjærholm was first employed at Fritz Hansen for about a year, where he designed a number of noteworthy chair prototypes. In 1955, Poul Kjærholm initiated his collaboration with manufacturer Ejvind Kold Christensen, which lasted until Kjærholm's death in 1980. In 1982, Fritz Hansen took over the manufacture and sales of "The Kjærholm Collection", which was developed over the period 1951 to 1967.



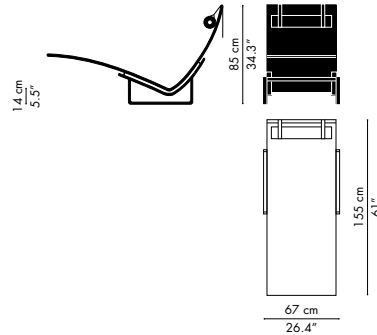
UPHOLSTERY

PK24™ comes with upholstery (inkl. the headrest) in the following leather types: Classic, Rustic, Natural, White, Optical white, Elegance and Sense.

Additionally, it is available in natural wicker with a leather headrest in one of the above mentioned leather types.

VARIATIONS & DIMENSIONS

PK24



WARRANTY

A five-year warranty against manufacturing defects in standard products (materials and workmanship). The warranty for wicker is two years. Wear, tear and damage to the product are not covered under this warranty. Claims from end users under the guarantee must be submitted to the vendor from whom the product was purchased. All measurements are indicative.

STANDARD WARRANTY:

5 years
(Wicker: 2 years)

MY REPUBLIC EXTENDED WARRANTY:

20 years
(Wicker: 2 years)

To obtain an extended warranty offered through My Republic the products should be registered online. Go to www.fritzhenzen.com/myrepublic to register.

ENVIRONMENTAL PRODUCT INFORMATION

Chaise longue for lounge and waiting areas and private use.

MANAGEMENT SYSTEMS

Environmental Systems

We are aware of our environmental responsibilities. Therefore, in the autumn of 2004 Fritz Hansen obtained the ISO 14001 certification in the environmental management system. The certification is a guarantee to our customers and the authorities that we comply with the requirements of the ISO 14001:2015 standard.

Quality System

Fritz Hansen is also certified according to the quality system ISO 9001:2015.

Employee Health and Safety

Fritz Hansen aims at meeting or exceeding OSHA standards.

LONG LIFETIME

A long lifetime of a piece of furniture is an important environmental factor. Fritz Hansen aims to obtain a long lifetime through timeless design and strict requirements for strength and durability.

MORE INFORMATION

Please visit www.fritzhansen.com for additional environmental information and to download our Perspective on Sustainability & Corporate Environmental Policy.

