

FLOS

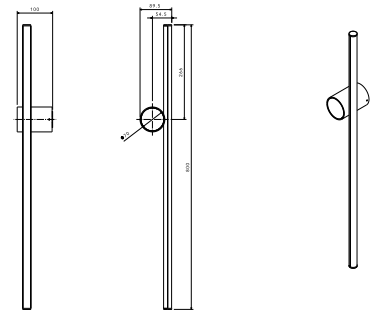
F1810033 Argent

Coordinates Wall 1

Designed by Michael Anastassiades, 2020

15W - 961lm - 2700K - CRI > 90

Wall-mounted diffuse lighting device composed of a horizontal bar (model Wall 1) or vertical and horizontal bar (model W2). Each bar is composed of: extruded and processed aluminium body anodized in a champagne or argent colour; diffuser in platinum optical silicone; integrated LED strip (CRI 90). Each model comes with its own rose, whose integrated electronics use only the TRIAC dimmer system.



Main specifications

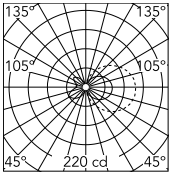
EAN	8059607035245
Mounting	Wall
Environment	Indoor dry location
Light source type	LED
LED type	LED Module
Lamp holder	LED Module
Number of heads	1
Power (W)	15
System power (W)	15
System lux (lm)	961

Physical

Colour	Argent
Length (mm)	800
Net weight (kg)	0.8
Package volume (m3)	0.04
IP	20
IP external	20



Schematic light drawing



Luminous flux luminaire
961 lm

The above drawing is for illustrative purposes only and refers to product code: F18100XXWCOORDINATES-W1_16W-LED

Photometric

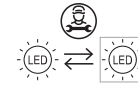
Lighting type	Total
Light distribution	Asymmetric
CCT (K)	2700
CRI >	90

Electrical

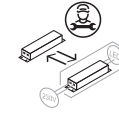
Insulation class	I
Frequency (Hz)	50/60
Main voltage (Vac)	230
Driver	Integrated
Dimming type	Mains Cut Dimming
Batteries inside	No

Ecodesign and Energy Labelling

This product contains a light source of energy efficiency class F



Replaceable (LED only) light source by a professional



Replaceable control gear by a professional