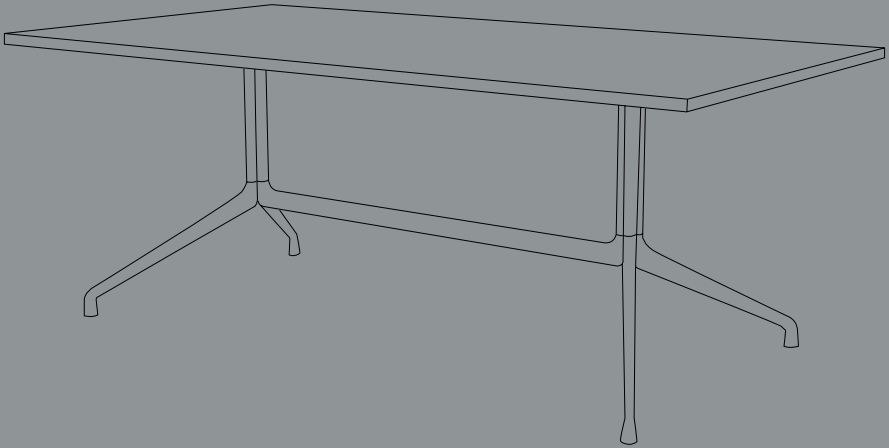


- INSTRUCTION MANUAL -

ABOUT A TABLE AAT 10

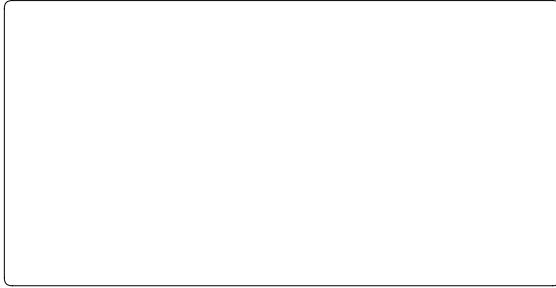
L140/200 X W75 X H73 CM



DESIGN BY HEE WELLING & HAY

HAY

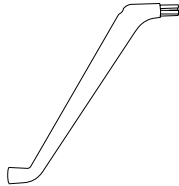
- PARTS -



A Tabletop x1



B Column x2



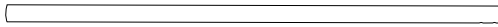
C Leg x4



D Support x6



E Corner joint x2



F Crossbar x1



G Bracket x4



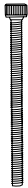
H Screw x18



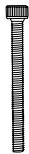
I Adjustable glider x4



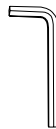
J Expanding nut x12



K Screw x12



L Screw x4

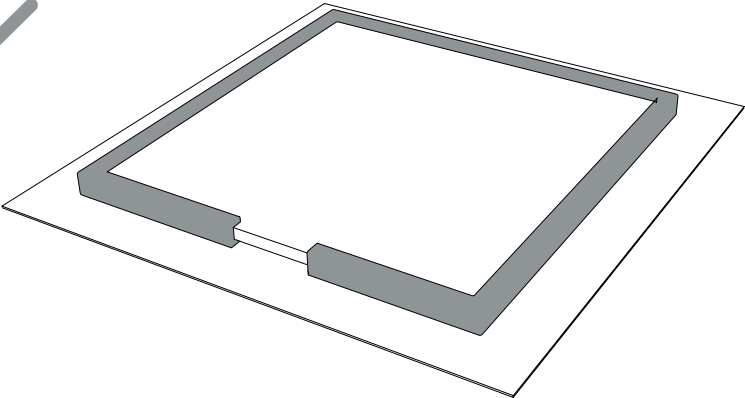
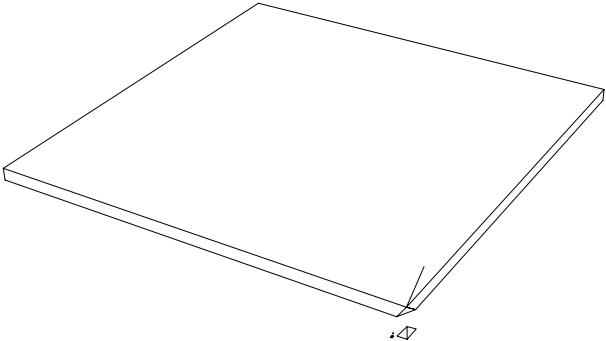


M Allen key x1



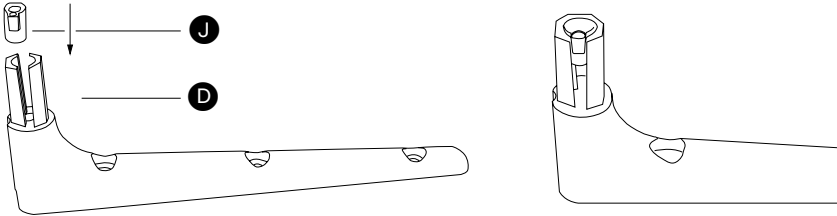
N Allen key x1

Protect the table top from scratches and other damage while assembling.



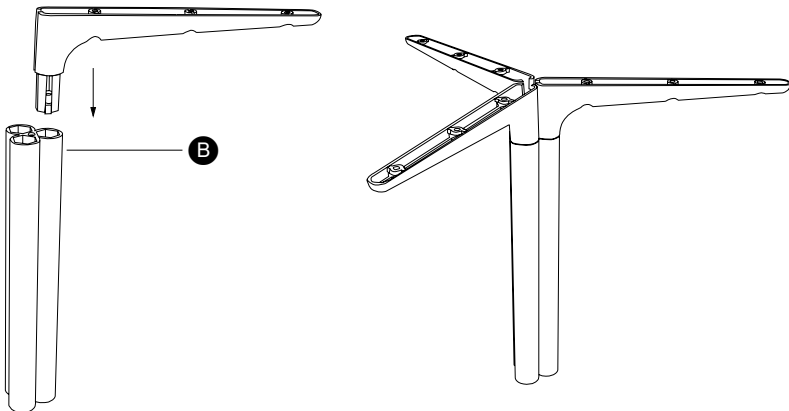
1.

Slide the **J** part into the **D** part and press it down gently.
Repeat this step for all **D** parts.



2.

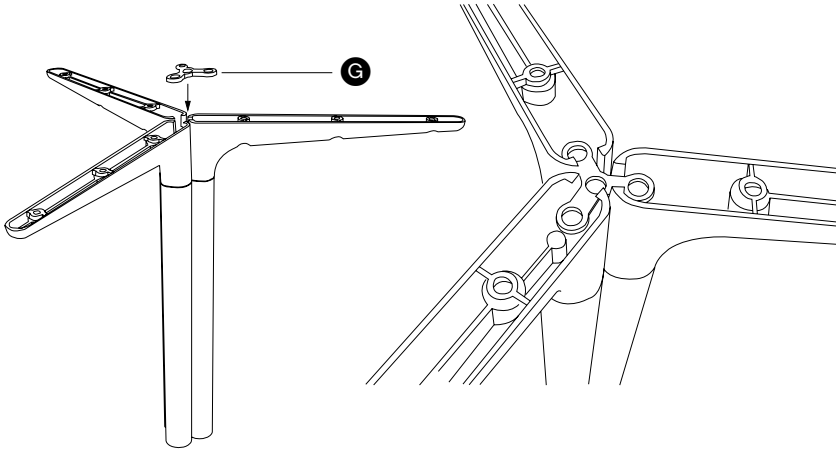
Place 3 x **D** parts into the **B** part.
Repeat this step on both **B** parts.



3.

Place the **G** part in the shown holes of the **D** parts.

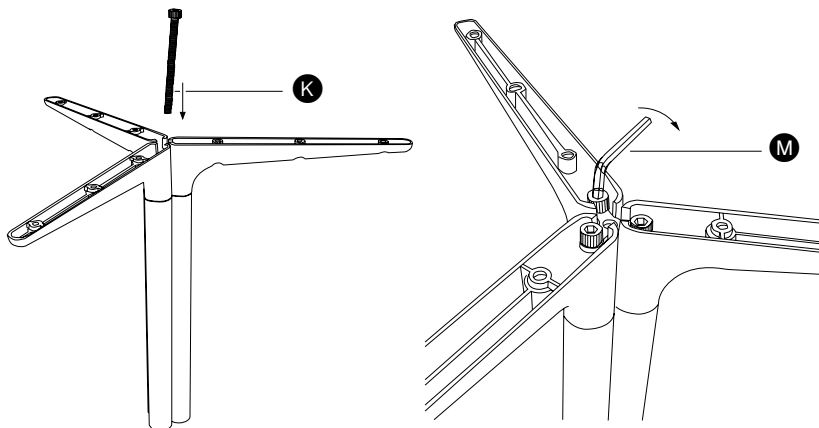
Repeat this step on both **B** parts.



4.

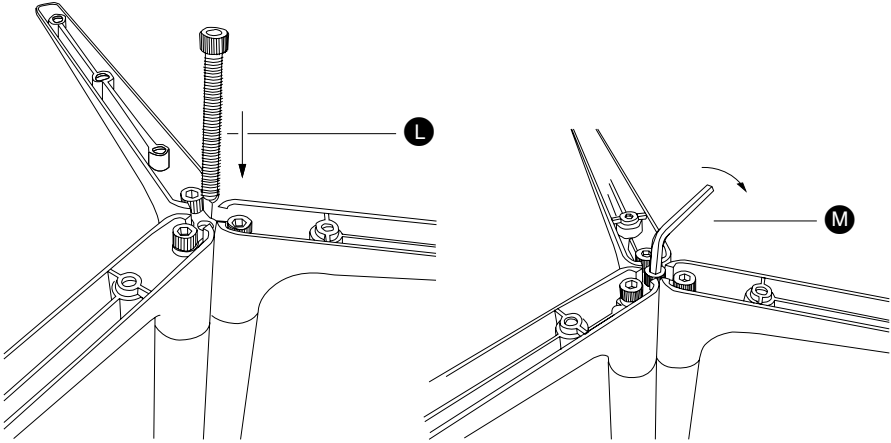
Screw 3 x **K** parts in the shown holes of the **G** part using the Allen key (**M**).

Repeat this step on both **G** parts.



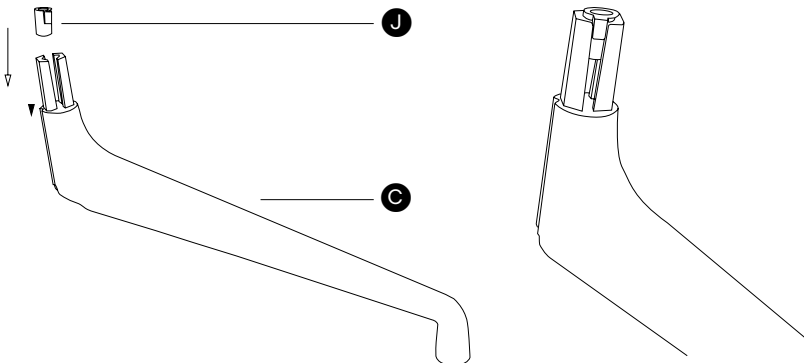
5.

Screw the **L** parts in the shown holes of the **G** part, using the Allen key (**M**).
Repeat this step on both **G** parts.



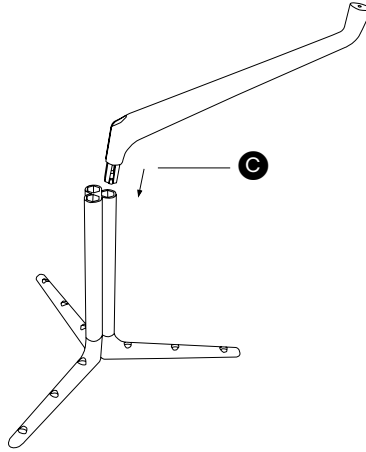
6.

Place the **J** part into the **C** part and press it down gently.
Repeat this step on all **C** parts.



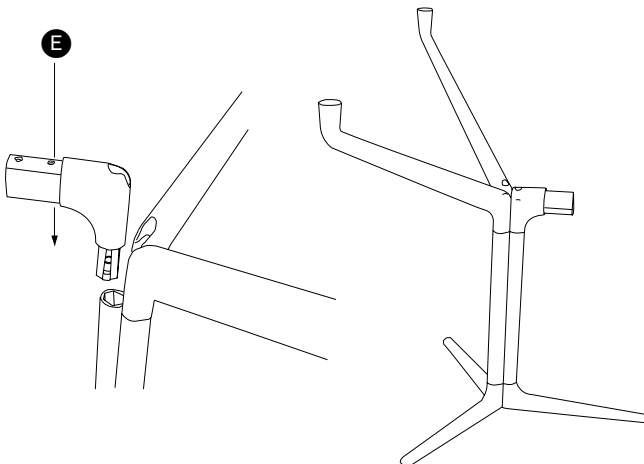
7.

Place the **C** part in the shown holes of the **B** part.
Repeat this step on all **C** parts.



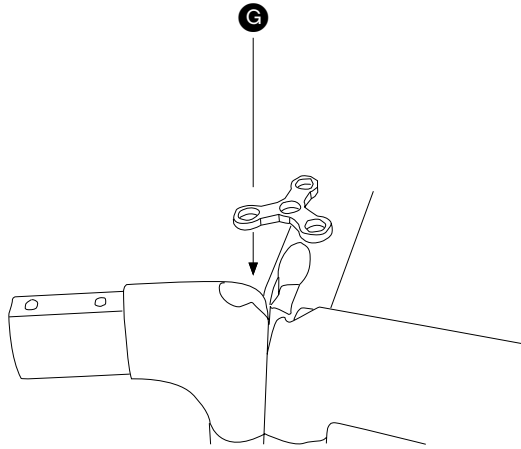
8.

Place the **E** part in the shown holes of the **B** part.
Repeat this step on both **B** parts.



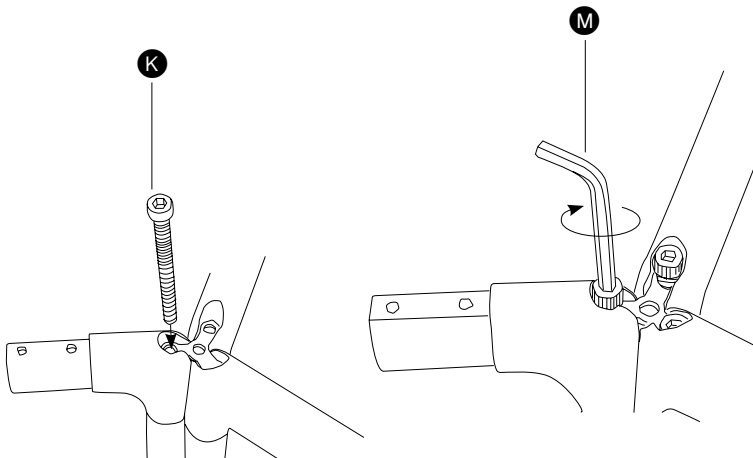
9.

Place the **G** part in the shown holes of the **C** parts.
Make sure that the tapered holes are pointing upwards.



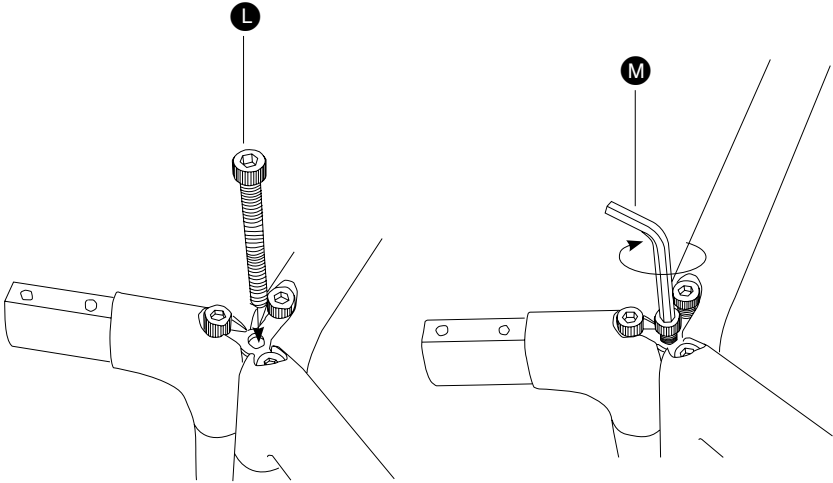
10.

Screw 3 x **K** parts into the shown holes of the **G** part using the Allen key (**M**).
Repeat this step on both **G** parts.



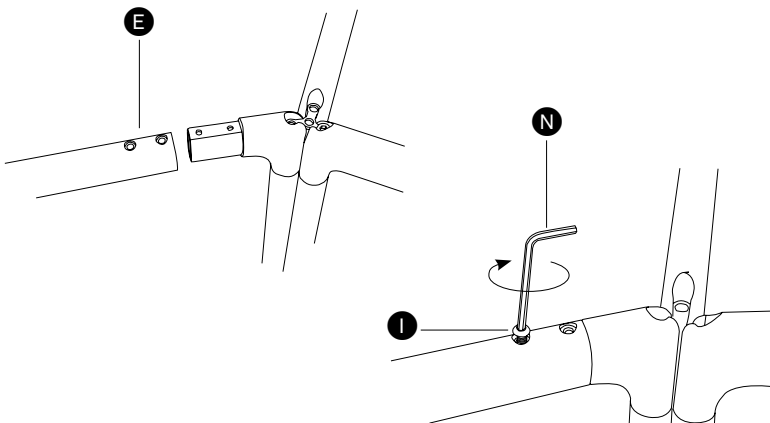
11.

Screw the **L** parts in the shown holes of the **G** part using the Allen key (**M**).
Repeat this step on both **G** parts.



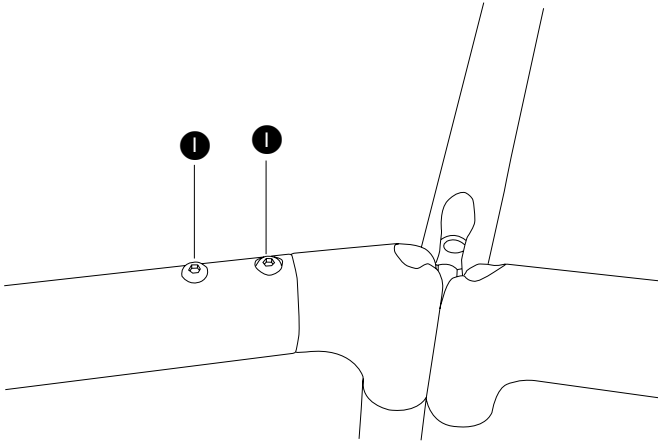
12.

Place the **F** part into the **E** parts. Screw 2 x **I** parts in the shown holes of the **F** part using the Allen key (**N**). Repeat this step for both **E** parts.



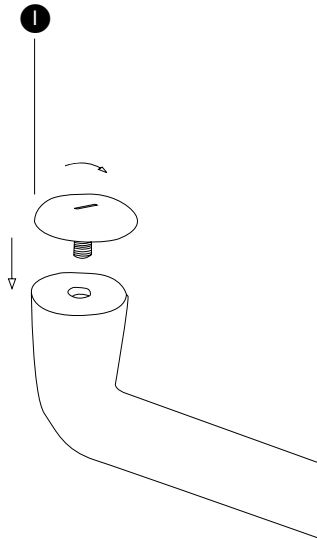
13.

Secure the **I** parts into the **C** part.



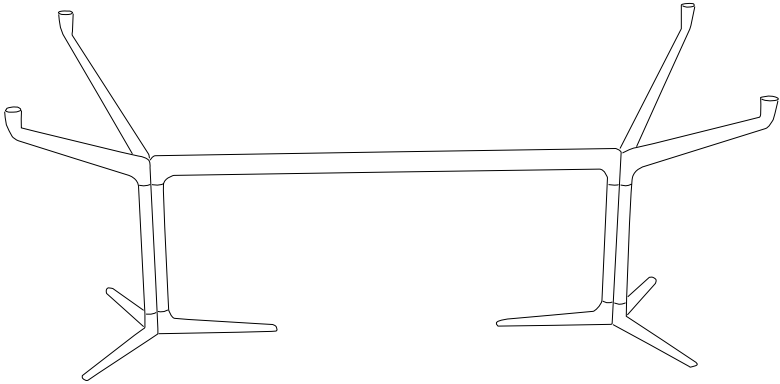
14.

Screw the **I** part into the hole of the **C** part. Repeat this step on all **C** parts.



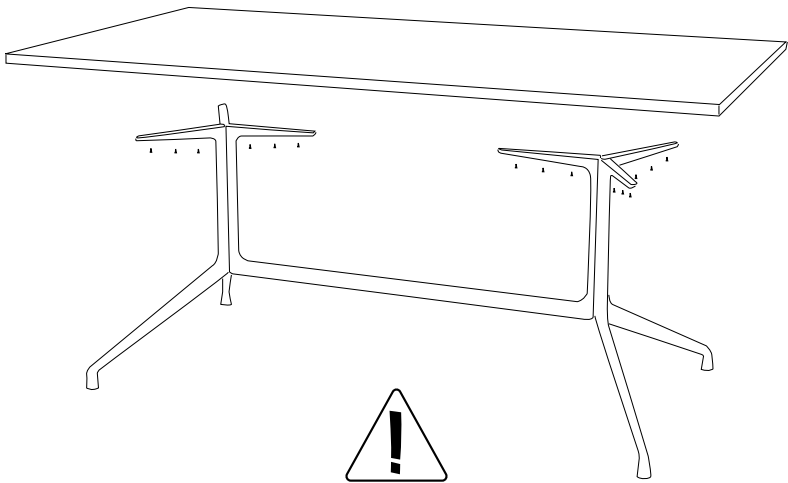
15.

Turn the table over (2 persons recommended).



16.

Screw the **D** parts to the tabletop using the **H** parts.



NOTICE

Make sure the table is upright
when mounting the base.

- CARE & MAINTENANCE -

Our Care & Maintenance offers guidance for optimal maintenance of your HAY product. It includes advice and instructions on cleaning and caring for specific materials to prolong the life of your furniture.

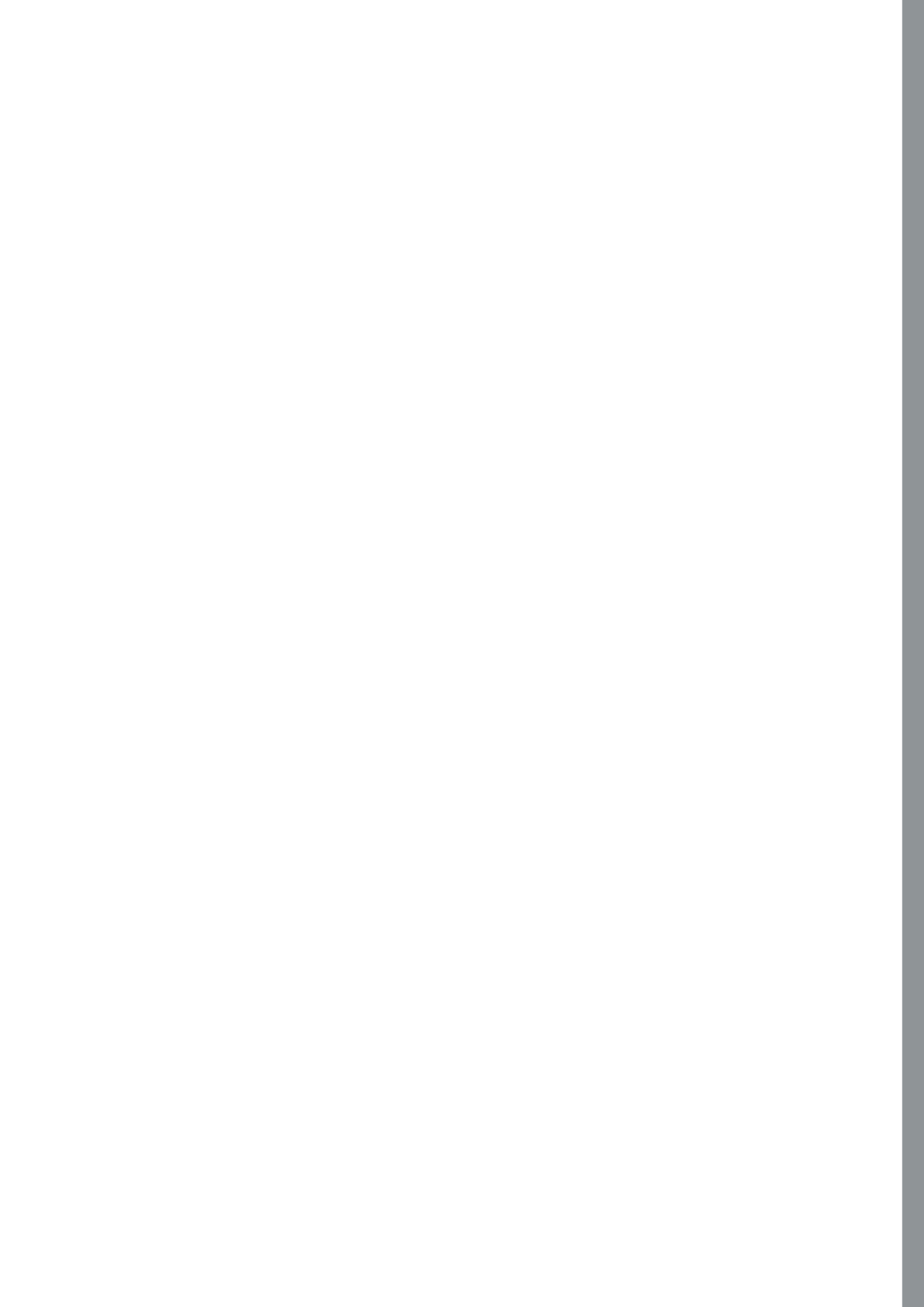


Please find our Care & Maintenance guide by scanning the QR code



You can find more relevant information on AAT 10 by scanning the QR code

You can also find the same information here
hay.dk/downloads



Havnen 1 8700 Horsens Denmark
+45 4282 0282 / hay@hay.com

www.hay.com

22/12/2021

HAY