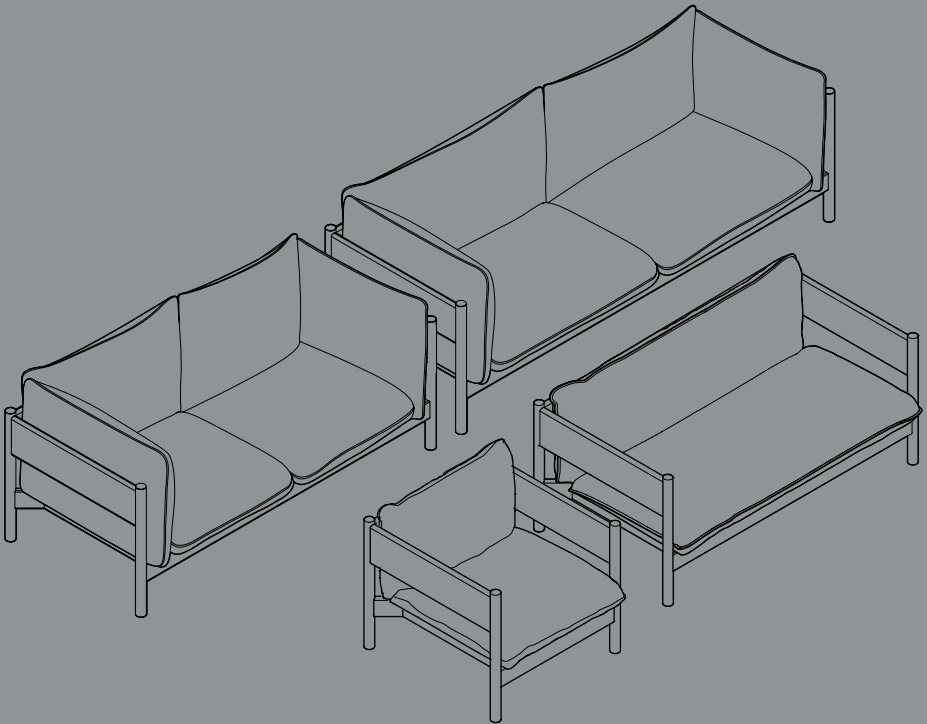


- INSTRUCTION MANUAL -

ARBOUR

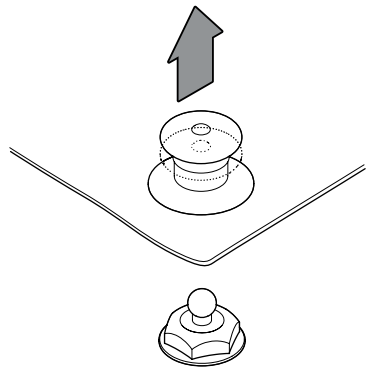
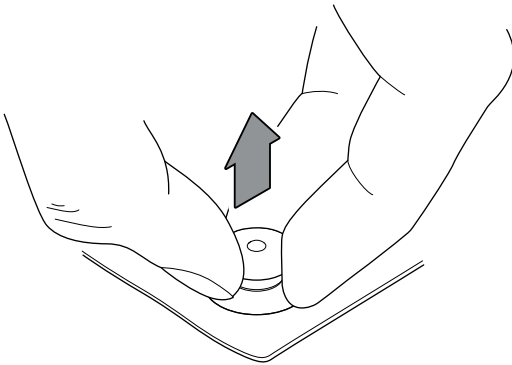
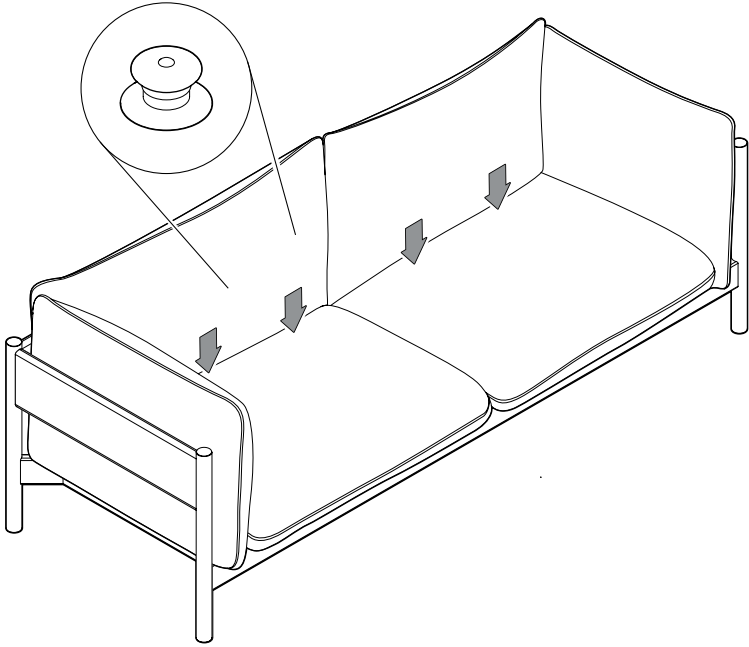


DESIGN BY ANDREAS ENGESVIK & DANIEL RYBAKKEN

HAY

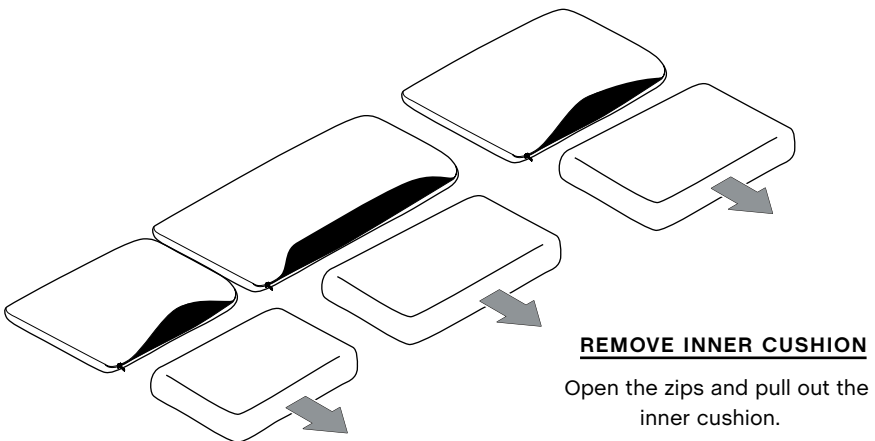
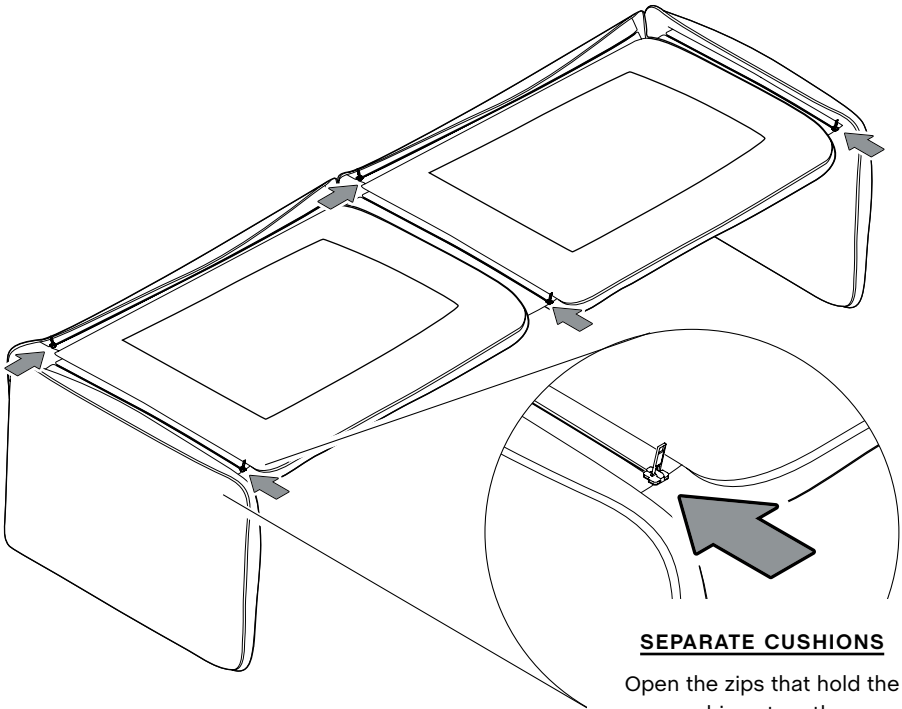
- REMOVING CUSHIONS -

Disconnect the cushions from the frame by pulling the knob straight up as illustrated below. The buttons are placed between the back and seat cushion.



- REMOVING COVERS -

If you want to replace the covers or are removing the covers for other reasons, first separate the cushions from each other by opening the zips. Then open the zips on each cushion and pull the inner cushion out.

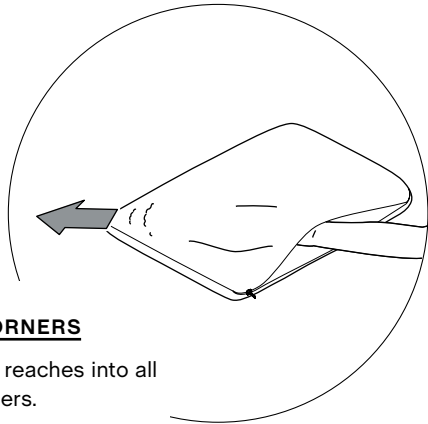
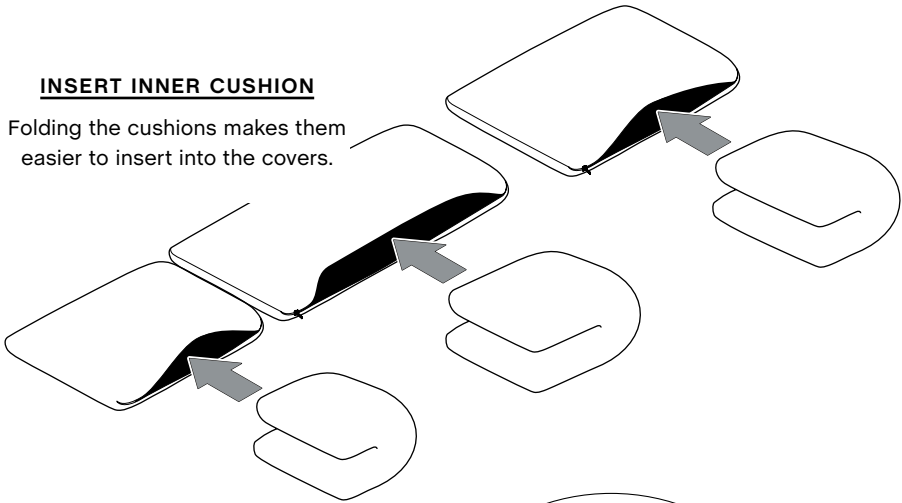


- INSERTING CUSHIONS -

When inserting the inner cushions into the covers, it is helpful to fold the cushion. Then use your hand to make sure the filling reaches into all the corners.

INSERT INNER CUSHION

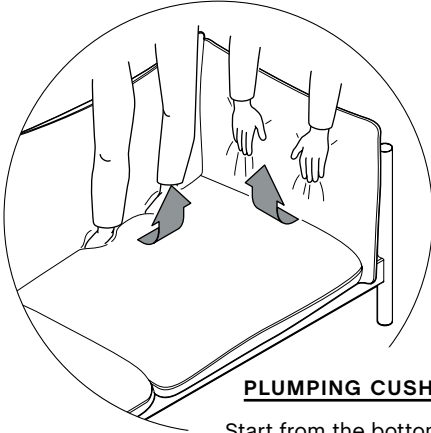
Folding the cushions makes them easier to insert into the covers.



FILLING CORNERS

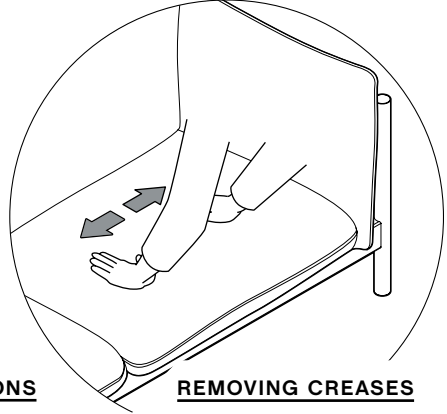
Make sure the filling reaches into all the corners.

Over time, your sofa will need some attention to ensure that the cushions remain plump and the seat cushion keeps its shape. To ensure that the cushions' filling is spread evenly, follow these steps to plump the cushions. Repeat regularly when needed. More information on your specific fabric can be found under care and maintenance.



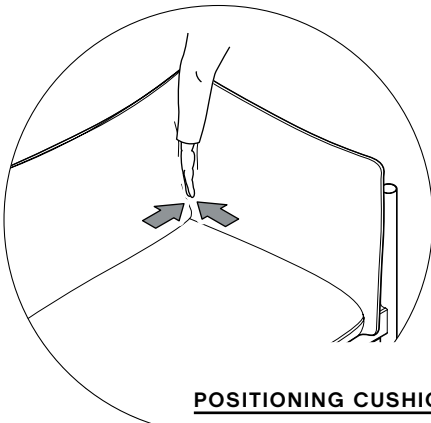
PLUMPING CUSHIONS

Start from the bottom of the cushions and pull your hands upwards, while applying pressure.



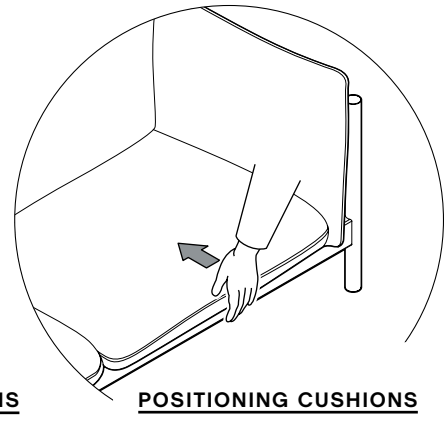
REMOVING CREASES

Smooth creases out by running your hands over the cushions.



POSITIONING CUSHIONS

Pull both back and side cushions towards the corner of the sofa.



POSITIONING CUSHIONS

Push the seat cushions all the way back to the backrest.

- CARE & MAINTENANCE -

Our Care & Maintenance offers guidance for optimal maintenance of your HAY product. It includes advice and instructions on cleaning and caring for specific materials to prolong the life of your furniture.



Please find our Care & Maintenance guide by scanning the QR code



You can find more relevant information on Arbour by scanning the QR code

You can also find the same information here
hay.dk/downloads

Havnen 1 8700 Horsens Denmark
+45 4282 0282 / hay@hay.com

www.hay.com

HAY