

LOOP STAND SUPPORT

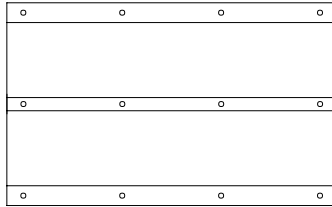


DESIGN BY LEIF JØRGENSEN

HAY

- PARTS -

← - - - - 100 CM - - - - →



D Tabletop x1

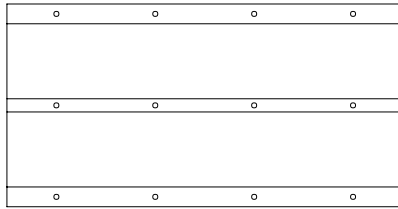


E Screw x4



F Screw x12

← - - - - 120 CM - - - - →



D Tabletop x1

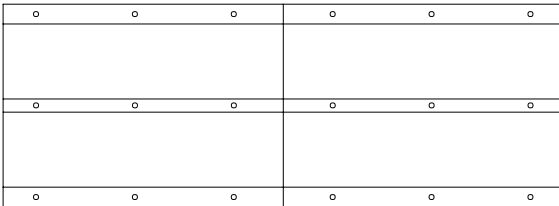


E Screw x4



F Screw x12

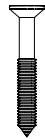
← - - - - 170 CM - - - - →



D Tabletop x1



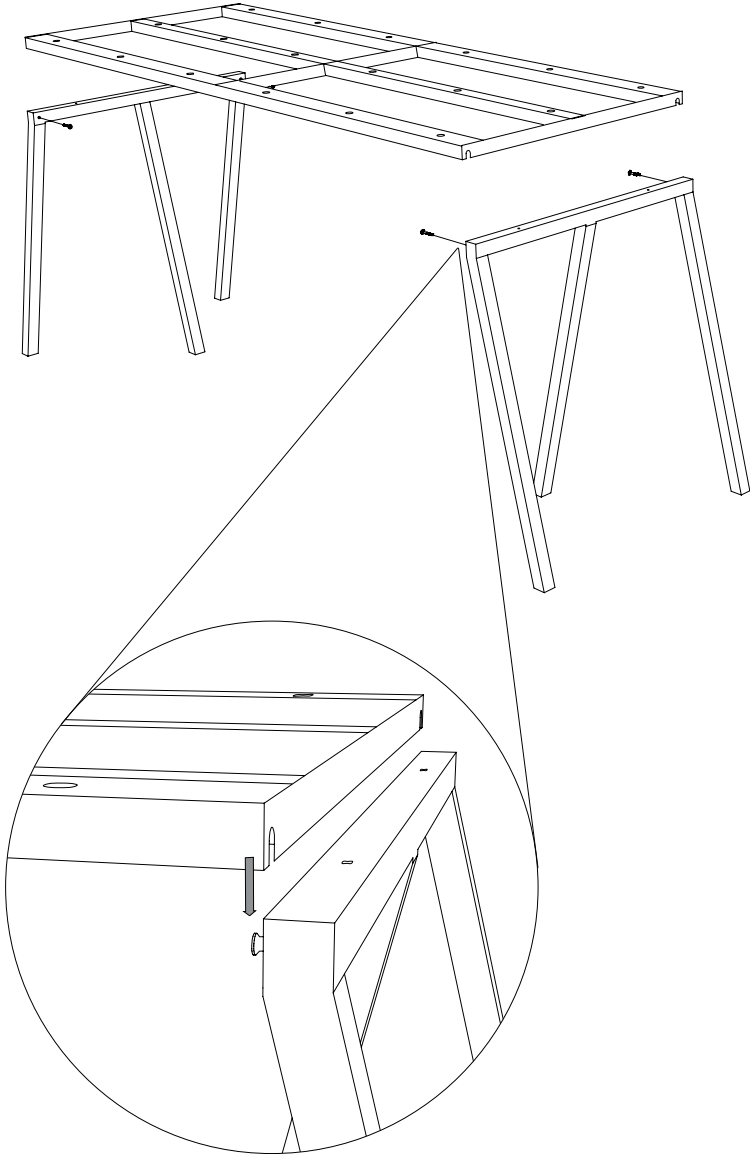
E Screw x4



F Screw x18

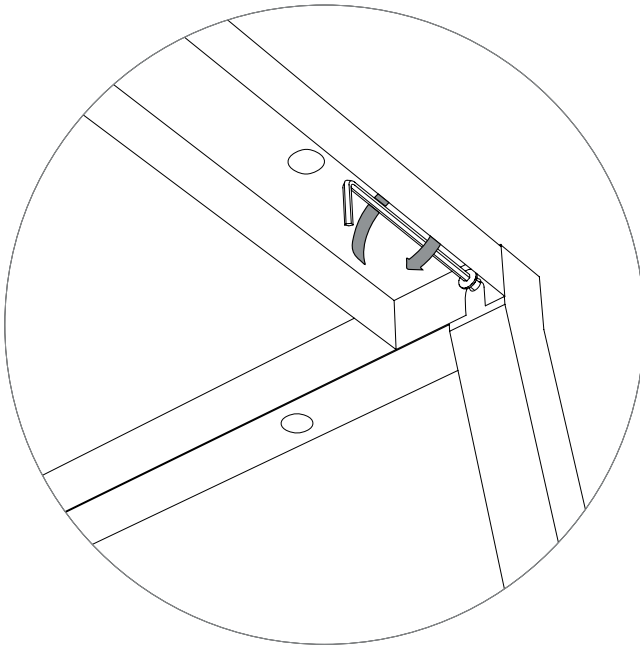
1.

Place the trestles standing upright, and slide in the support **D** using the **E** parts.
Do not tighten the **E** parts completely in order to slide in the support **D**.



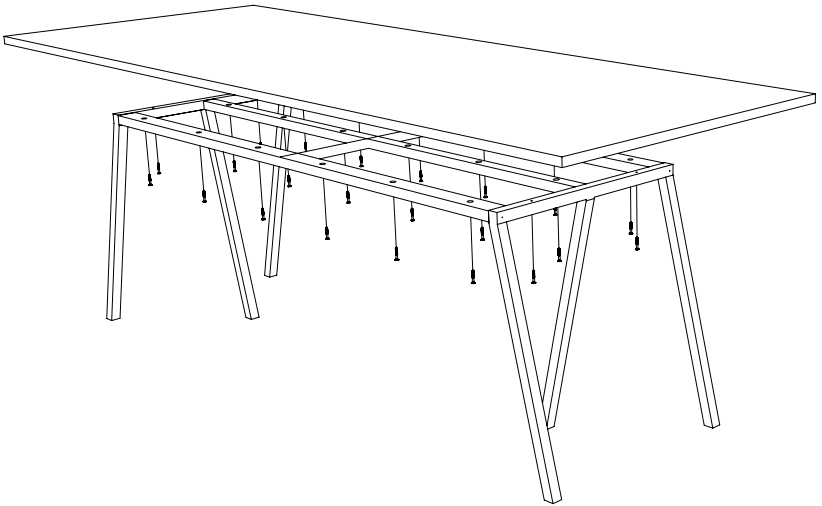
2.

Tighten the **E** part to secure the support **D** to the trestle.



3.

Screw the support **D** into the tabletop **A** using the **F** parts.



4.

Done!



- CARE & MAINTENANCE -

Our Care & Maintenance offers guidance for optimal maintenance of your HAY product. It includes advice and instructions on cleaning and caring for specific materials to prolong the life of your furniture.

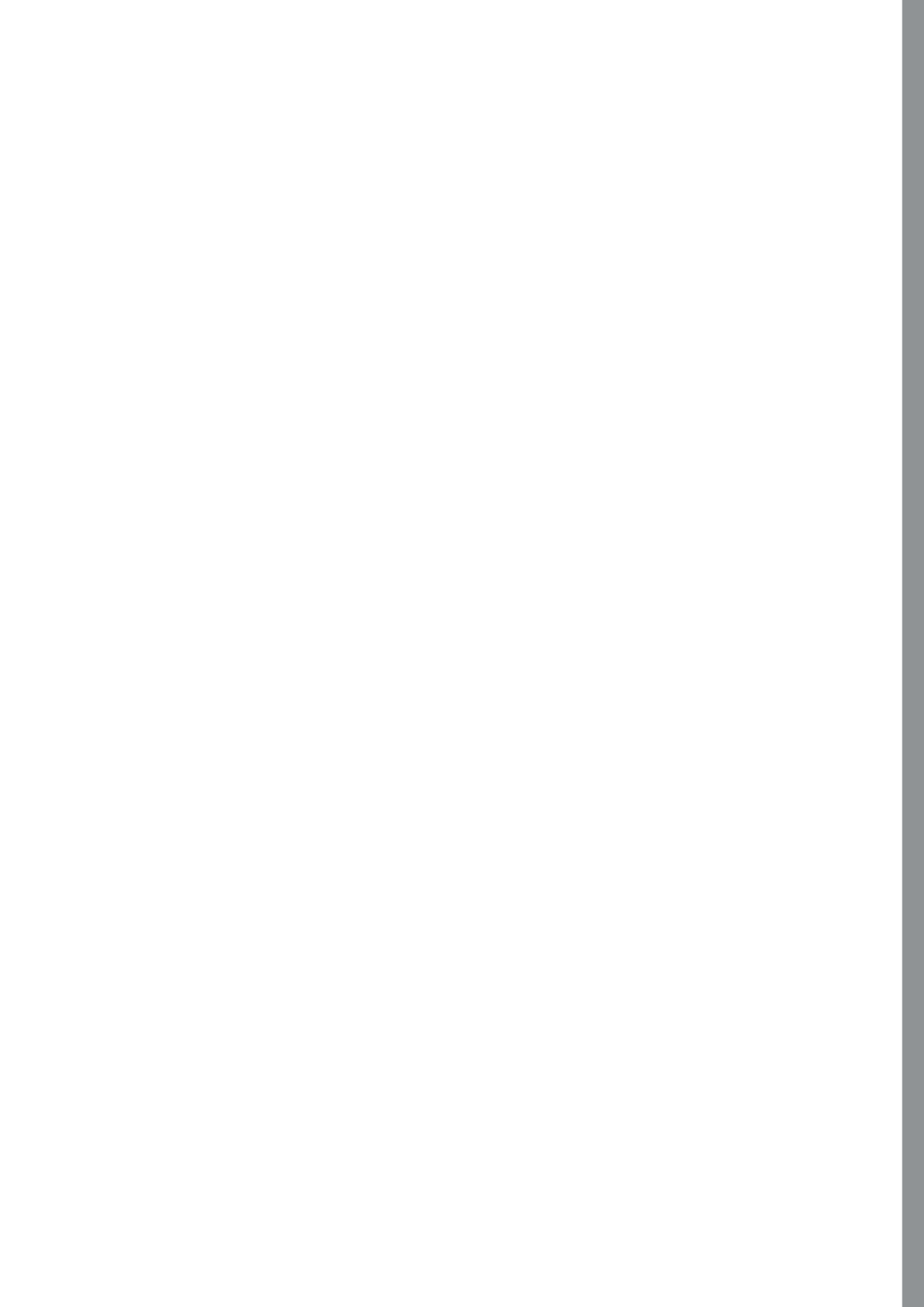


Please find our Care & Maintenance guide by scanning the QR code



You can find more relevant information on Loop Stand Support by scanning the QR code

You can also find the same information here
hay.dk/downloads



Havnen 1 8700 Horsens Denmark
+45 3164 6000 / hay@hay.com

10/01/2023

HAY