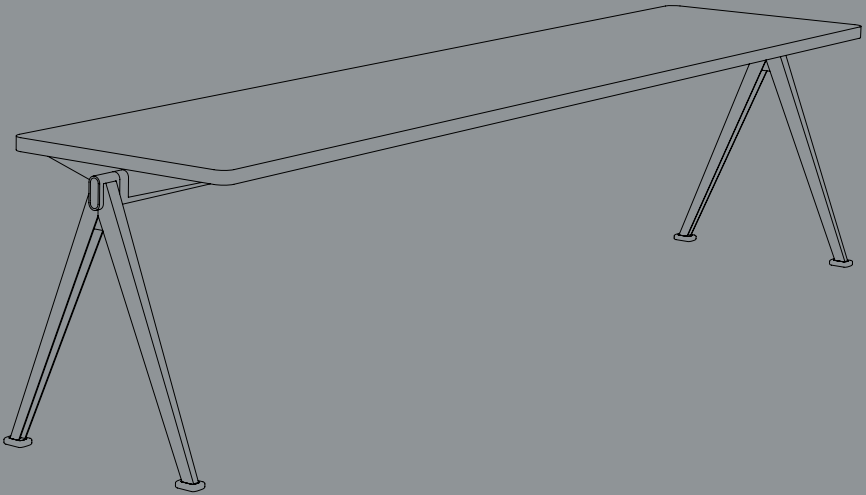


- INSTRUCTION MANUAL -

# PYRAMID BENCH 11 & 12

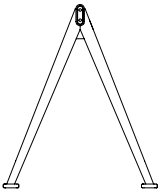


DESIGN BY WIM RIETVELD

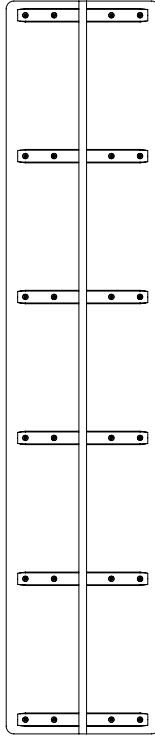
# HAY



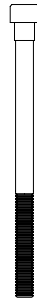
- PARTS -



**A** Leg section x2



**B** Seat x1



**C** Screw x4



**D** Screw x4

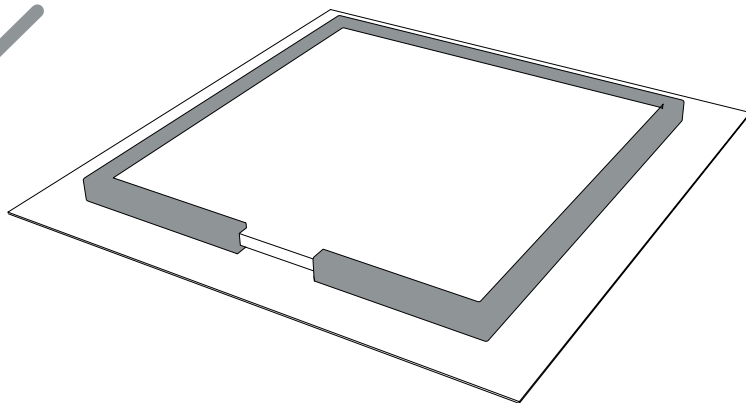
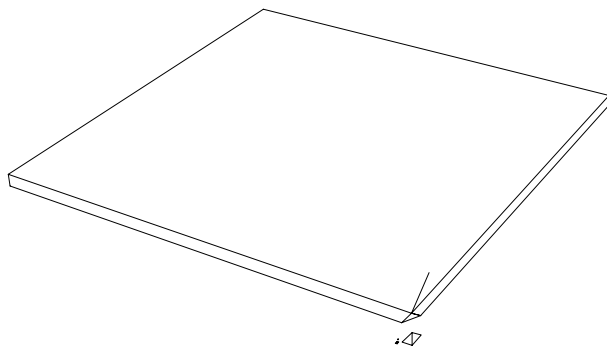


**E** Allen key x1



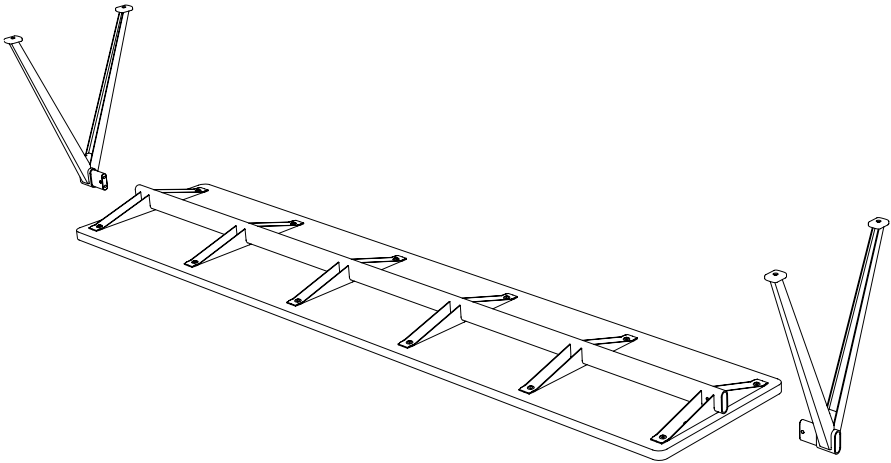
**F** Allen key x1

Protect the benchtop from scratches and other damage while assembling.



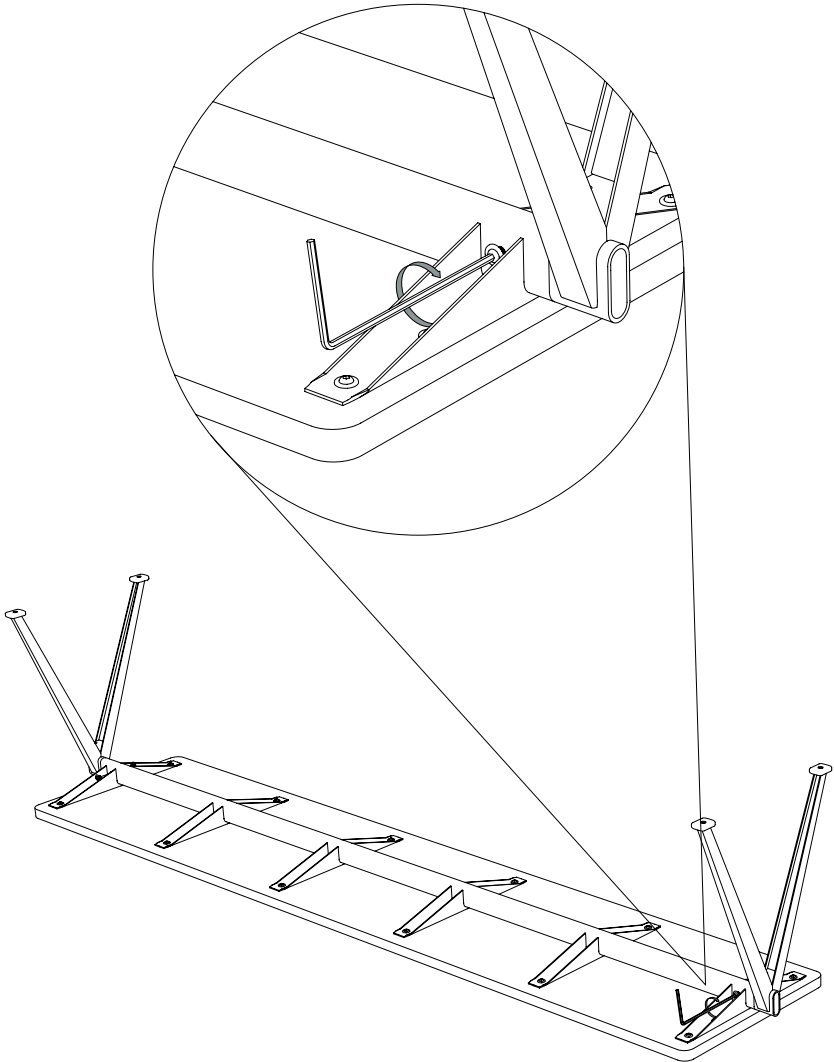
1.

Insert each **A** part into both ends of part **B**.



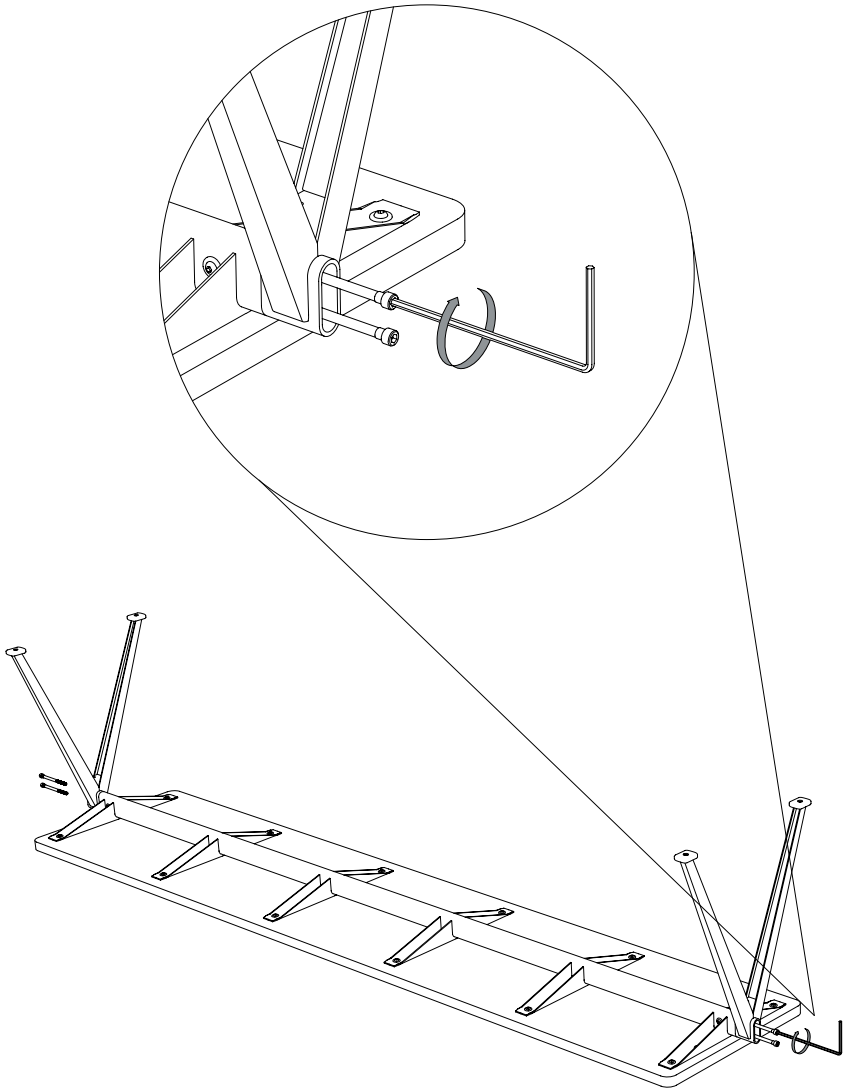
2.

Secure **A** to **B** by slightly tightening the **D** parts.  
Do not tighten completely at this stage.



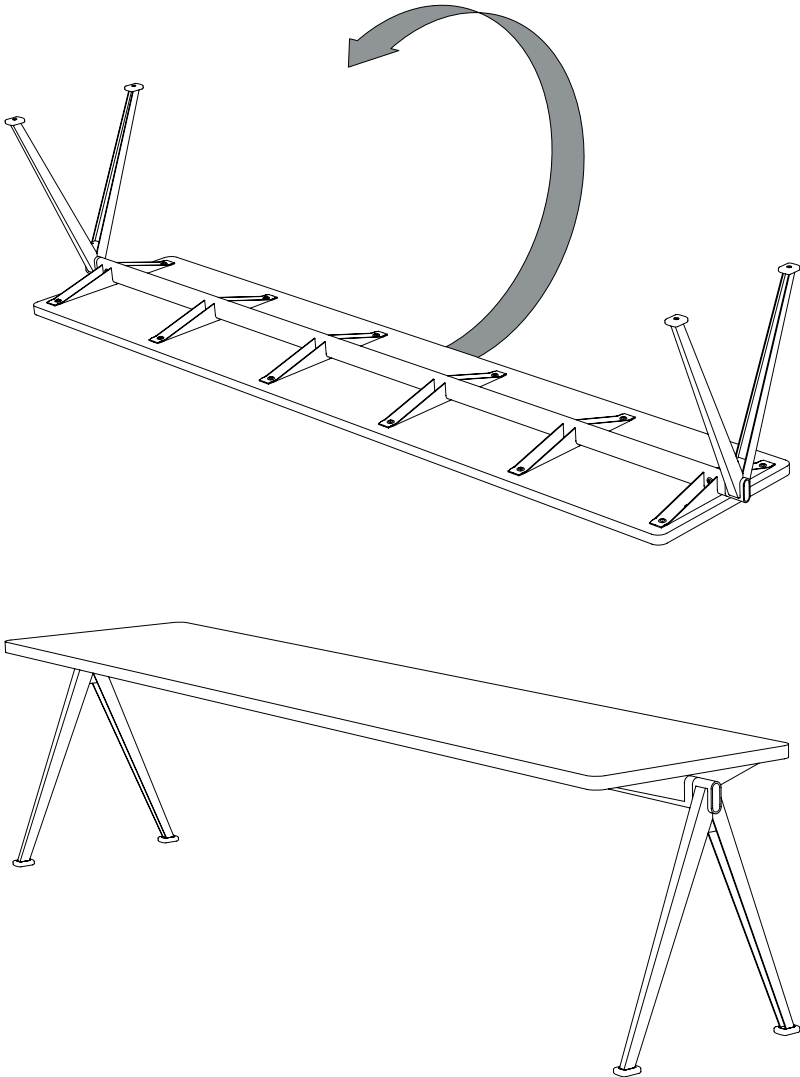
3.

Secure **A** to **B** by tightening the **C** parts.  
Do not tighten completely at this stage.



4.

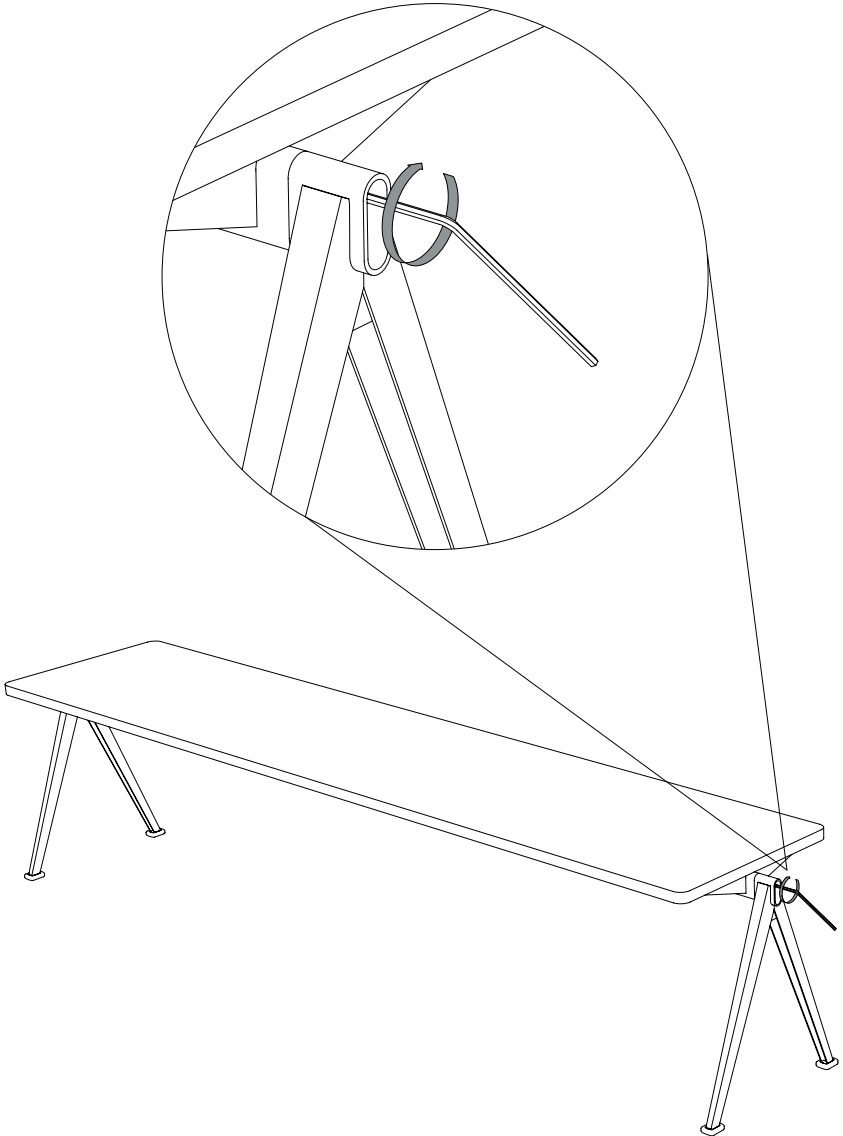
Turn the bench over (2 persons recommended).





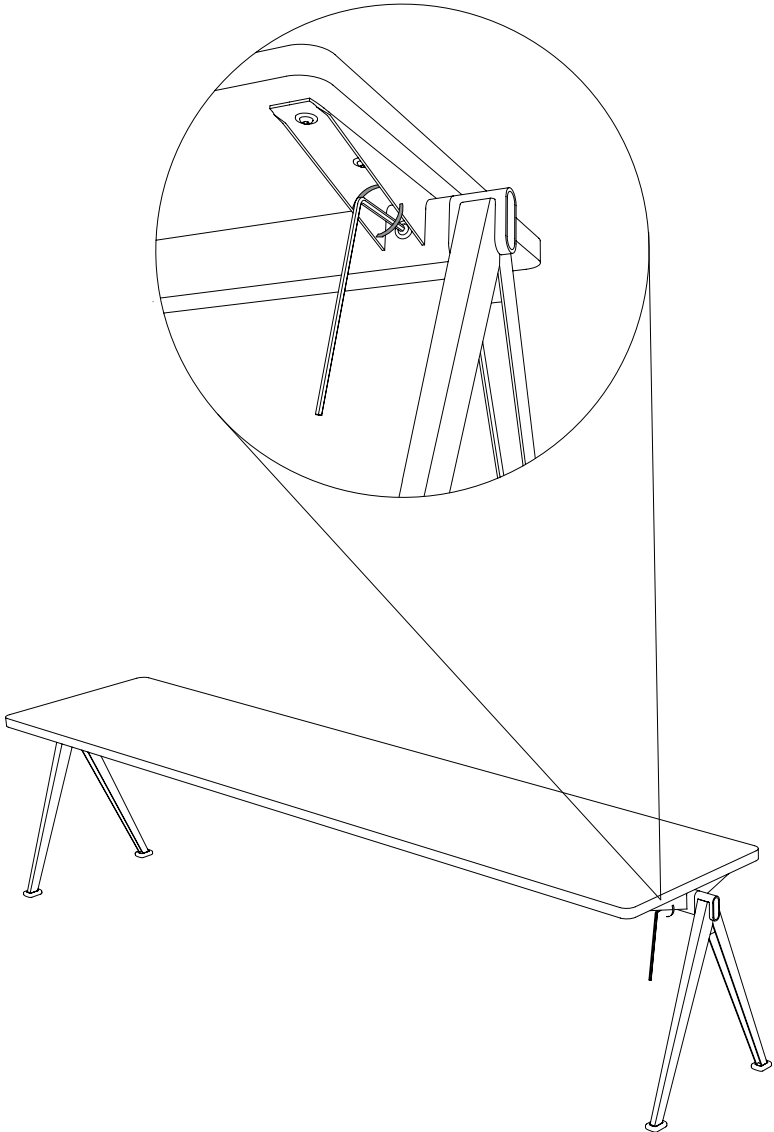
5.

Make sure the bench is level and then tighten the **C** parts completely.



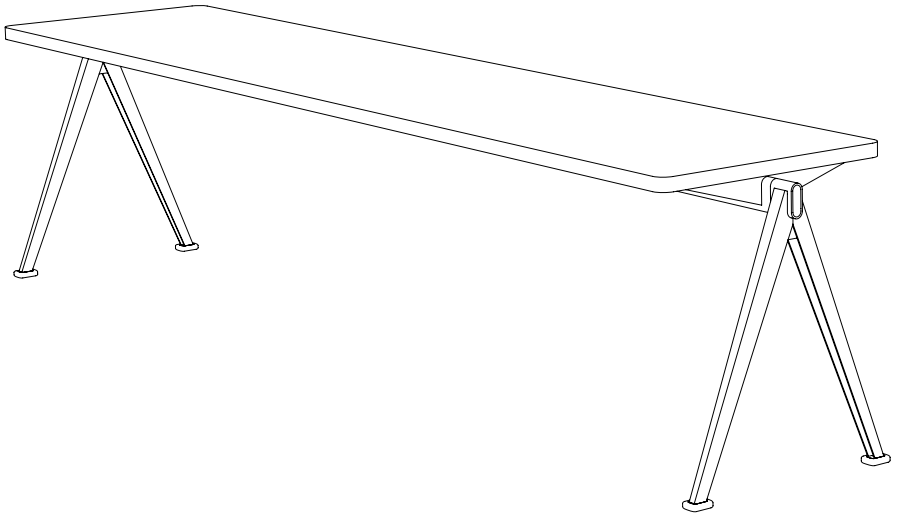
6.

Make sure the bench is level and then tighten the **D** parts completely.



7.

Done!



- CARE & MAINTENANCE -

Our Care & Maintenance offers guidance for optimal maintenance of your HAY product. It includes advice and instructions on cleaning and caring for specific materials to prolong the life of your furniture.



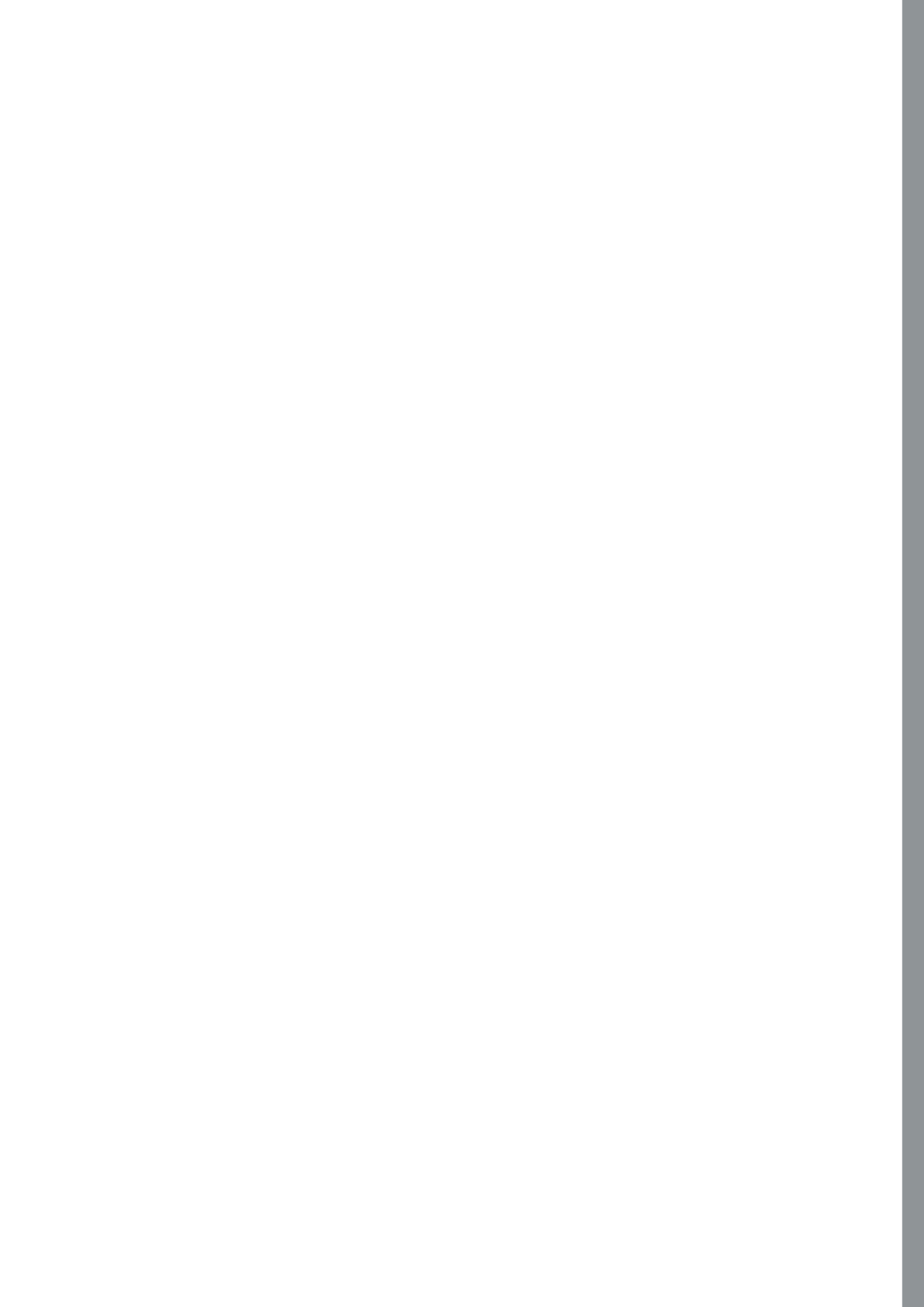
Please find our Care & Maintenance guide by scanning the QR code



You can find more relevant information on Pyramid Bench 11 & 12 by scanning the QR code

You can also find the same information here  
[hay.dk/downloads](http://hay.dk/downloads)







Havnen 1 8700 Horsens Denmark  
+45 4282 0282 / hay@hay.com

14/10/2021

**HAY**