

# NJP Floor

The fixture provides direct glare-free horizontal light while reflecting some of the light through the rear of the head, illuminating the top of the arm. The ergonomic design of the fixture head shapes the light and gives optimal light direction. A simple mechanical system provides great freedom of movement, so the light can always be set in the ideal position in the workspace. The shade is painted white on the inside, reflecting comfortable diffused light.



## Product info

### Information

Driver fitted externally on cord. The light has two built-in intensities. The weight includes the base plate. The innovation of the LED technology is constant. The specifications mentioned are based on present technology.

### Mounting

Cord type: Black or white. Cord length: 1,7m. Switch: On the fixture head. Timer function: 4 hours or 8 hours. LED driver: separate, plugs into power outlet. The light has two built-in intensities.

### Finish

White, black, light alu grey or dark alu grey, powder coated.

### Materials

Base: Steel. Arms and lamp head: Aluminium. Joints: Anodized Aluminium. Stem: Aluminium.

### Sizes and weights

Width x Height x Length (mm) | 260 x 1250 x 560 Max 7.2 kg

### Class

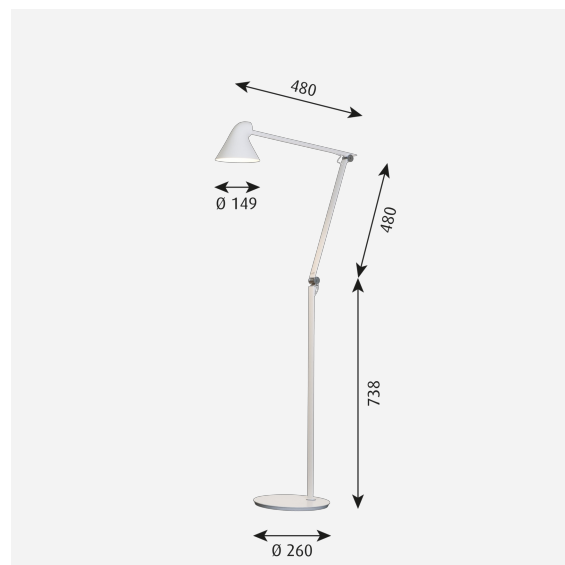
Ingress protection IP20. Electric shock protection II.

### Light source

LED 2700K 10W <br />Lumen: 529

### Information

Driver fitted externally on cord. The light has two built-in intensities. The weight includes the base plate. The innovation of the LED technology is constant. The specifications mentioned are based on present technology.



## Product family



NJP Wall



NJP Table

## Product variants

Colour	Cable type	Light source	Lumen
<input checked="" type="radio"/> Black	BLK PL	LED 2700K 10W	529
<input checked="" type="radio"/> Dark aluminium grey	WHT PL	LED 3000K 10W	550
<input type="radio"/> Light aluminium grey			
<input type="radio"/> White			

## Design

nendo

---

## Weight

Min: 7.176 kg Max: 7.176 kg

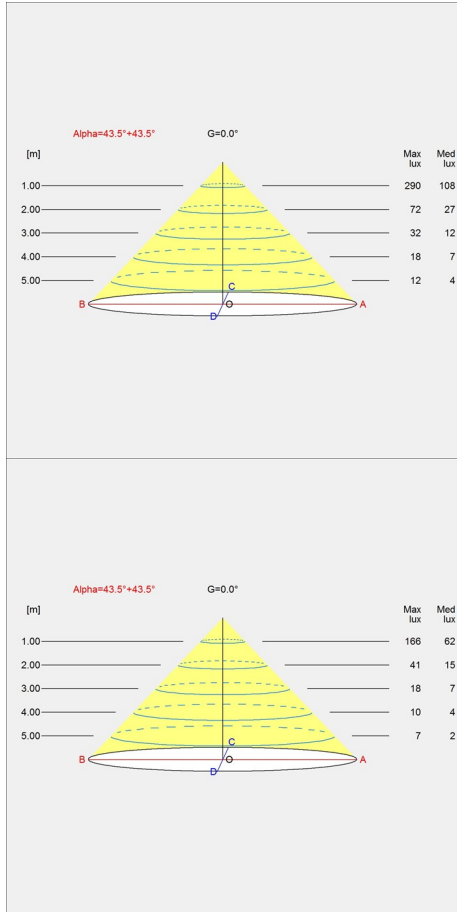
---

## Finish

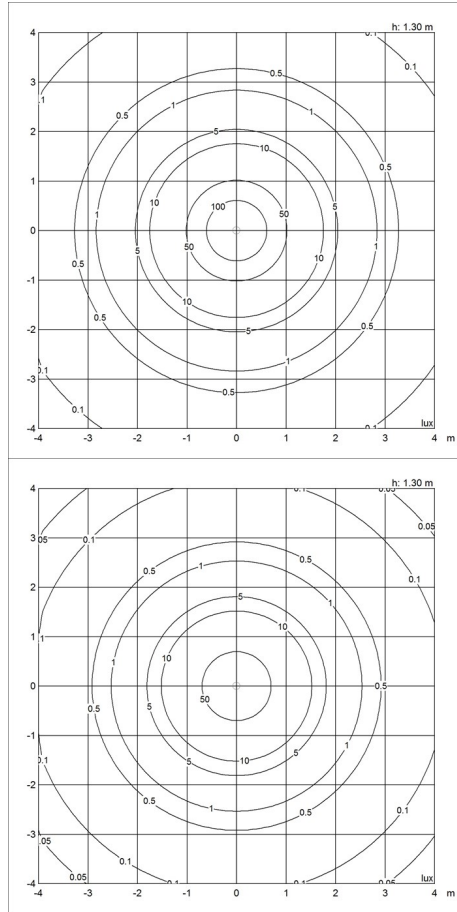
Black, Dark aluminium grey, Light aluminium grey, White

# Light distribution diagrams

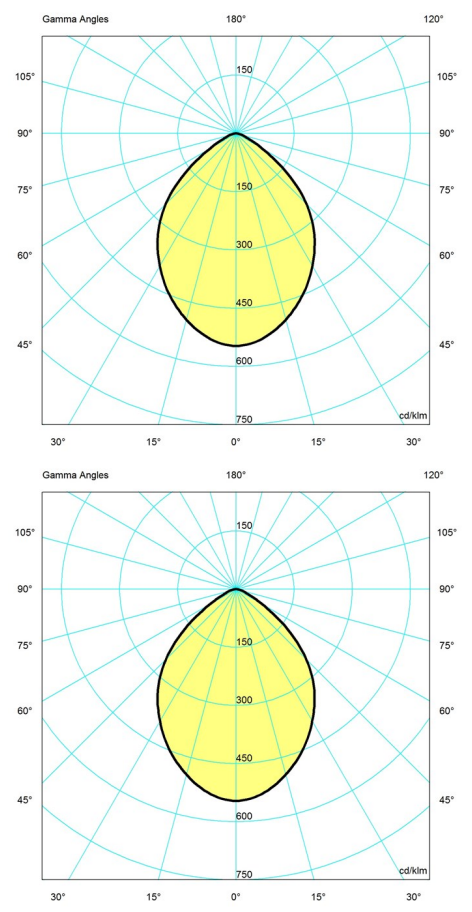
Cartesian



Isolux



Polar



## Spare parts & accessories

Product	Variant number
ADAPTOR 12V BLK	5744164867
ADAPTOR 12V WHT	5744164870
NJP BUSHING PLAST	5744165183