

PH 2/1 Wall

The fixture is designed based on the principle of a reflective three-shade system, which directs the majority of the light downwards. The shades are made of mouth-blown opal three-layer glass, which is shiny on the top and sandblasted matt on the inside, giving a soft and diffuse light distribution.



**Yokohama
College of
Dental Care and
Health Sciences**



Private residence, Sipoo

Product info

Mounting

Cable length: 2.9m. Light control: On wall plate.

Finish

White opal glass. High lustre chrome plated.

Materials

Shades: Mouth-blown white opal glass. Wall box: High lustre chrome plated, spun brass. Suspension: High lustre chrome plated, spun aluminium. Arm: High lustre chrome plated, brass.

Sizes and weights

Width x Height x Length (mm) | 200 x 165 x 296 Max 2.1 kg

Class

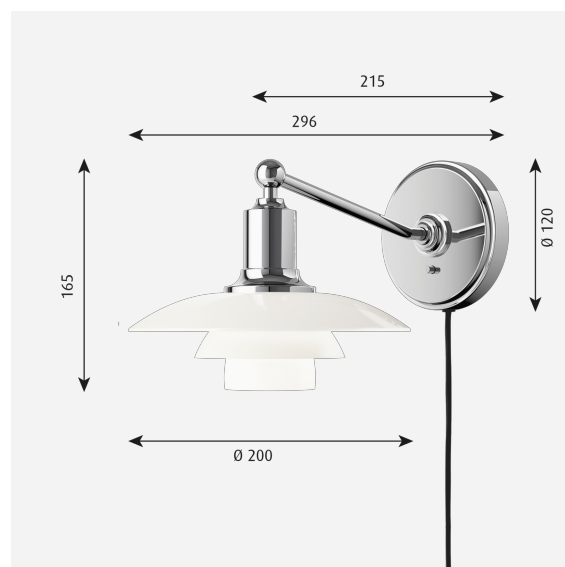
Ingress protection IP20. Electric shock protection II w/o ground.

Specification notes

The innovation of light sources is ongoing. Consequently we only inform about the max. wattages. On www.louispoulsen.com we update a list of recommendable light sources.

Light source

1x20W E14



Product family



PH 2/1 Stem Fitting



PH 2/1 Table



PH 2/1 Pendant

Product variants

Light source

1x20W E14

Design

Poul Henningsen

Weight

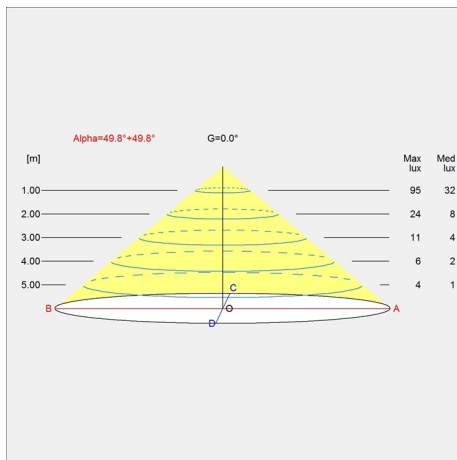
2.062

Finish

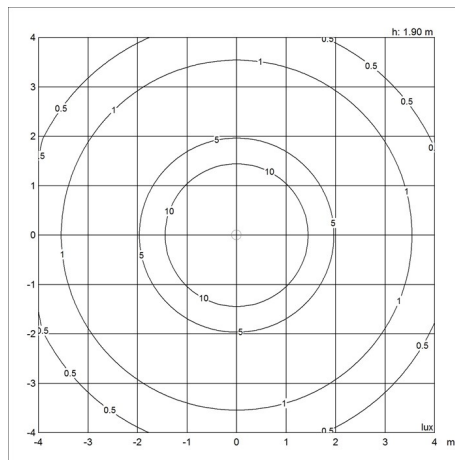
White opal glass

Light distribution diagrams

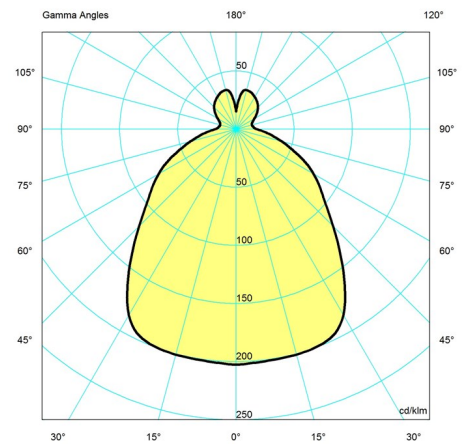
Cartesian



Isolux



Polar



Spare parts & accessories

Product

- PH 2-1, MIDDLE SHADE, GLASS
- PH 2-1, LOWER SHADE, GLASS
- PH 2-1, TOP SHADE, GLASS, TABLE/WALL
- PH 2-1, SPRINGHOLDER W/SPRINGS

Variant number

- 5741084940
- 5741084953
- 5741084937
- 5741086333

