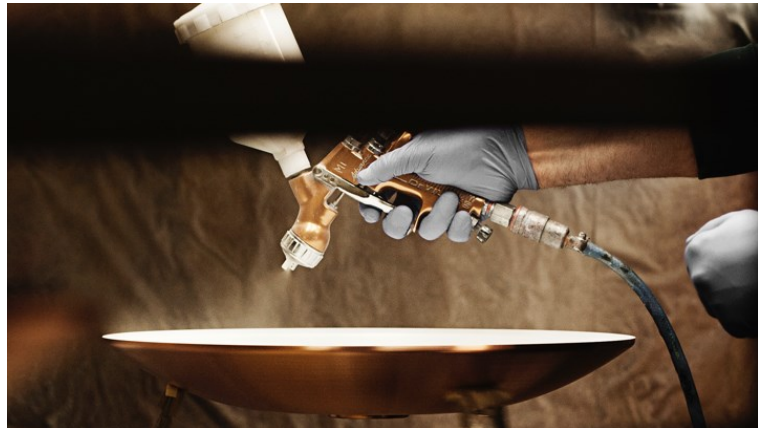


# PH 3½-2½ Glass Table

The fixture is designed based on the principle of a reflective three-shade system, which directs the majority of the light downwards. The shades are made of mouth-blown opal three-layer glass, which is glossy on top and sandblasted matt on the underside, giving a soft and diffuse light distribution.



## Product info

### Mounting

Cable type: Plastic cord with plug. Cable length: 2.5m. Light control: In-line switch on cord.

### Finish

Brass metallised, black metallised or high lustre chrome plated. White opal glass.

### Materials

Shades: Mouth-blown white opal glass. Top plate: Brass metallised, black metallised or high lustre chrome plated, spun brass. Base and stem: Brass metallised, black metallised or high lustre chrome plated, brass.

### Sizes and weights

Width x Height x Length (mm) | 330 x 450 x 330 Max 3.0 kg

### Class

Ingress protection IP20. Electric shock protection I w/o ground.

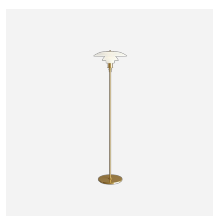
### Light source

1x60W E14

## Product family



PH 3½-3 Glass Pendant



PH 3½-2½ Floor



PH 3½-3 Pendant



PH 3½-2½ Table



## Product variants

Colour	Cable type	Light source
● Black metallised	BLK PL	1x60W E14
● Brass metallised	WHT PL	
● High lustre chrome plated		

# Design

Poul Henningsen

# Weight

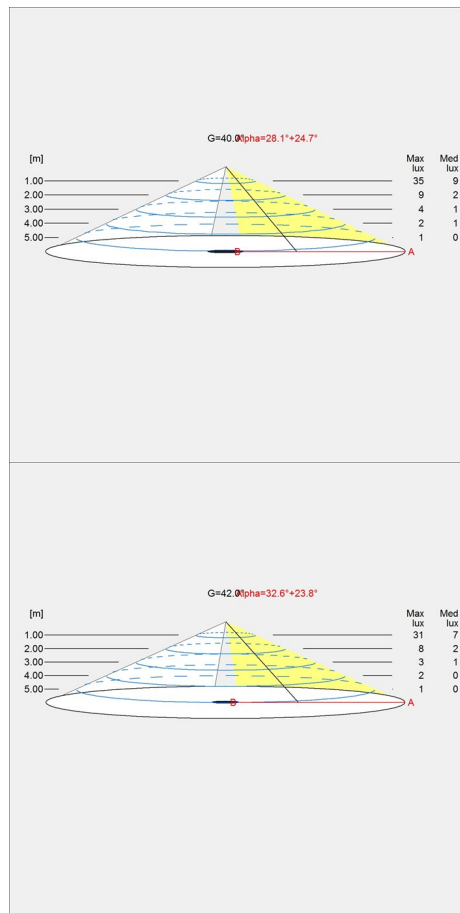
Min: 2.976 kg Max: 3.034 kg

# Finish

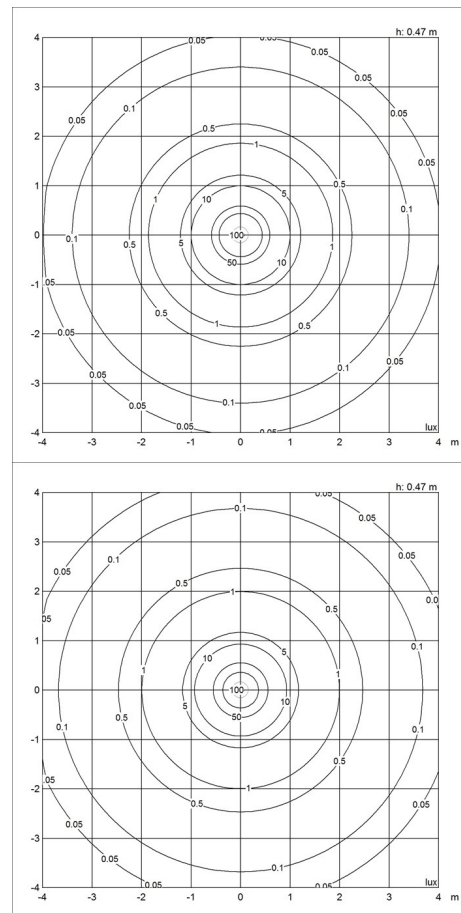
Black metallised, Brass metallised, High lustre chrome plated

# Light distribution diagrams

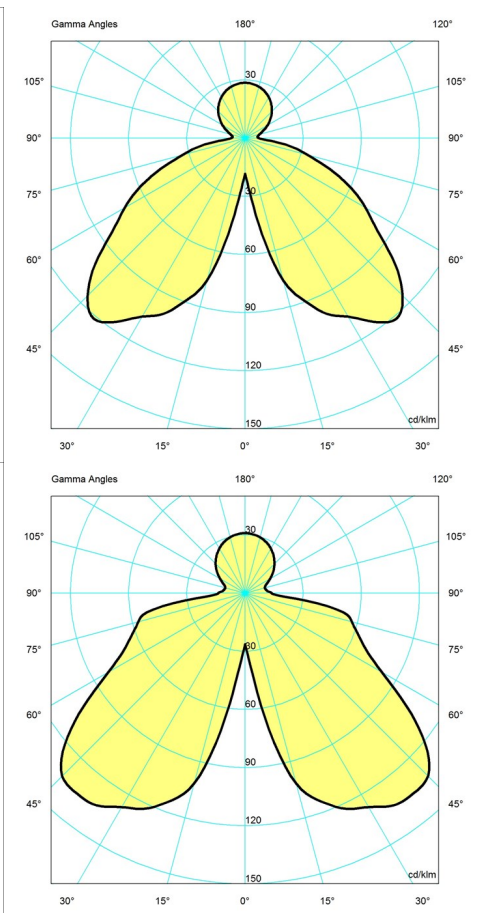
## Cartesian



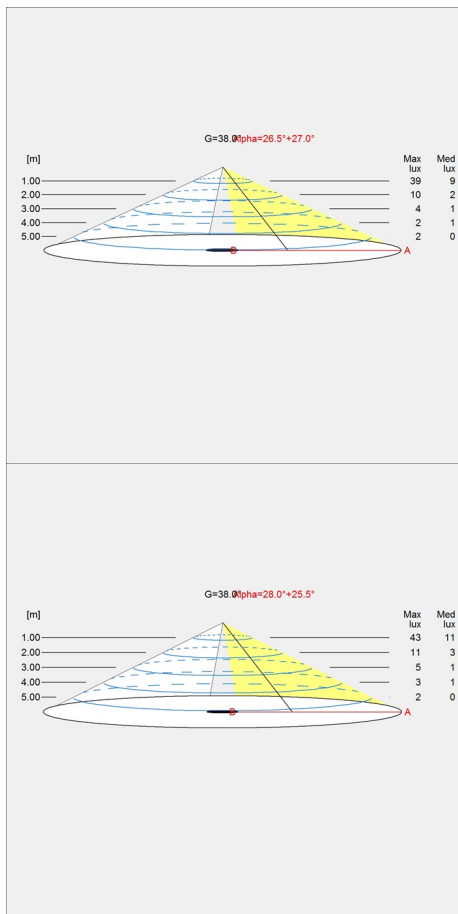
## Isolux



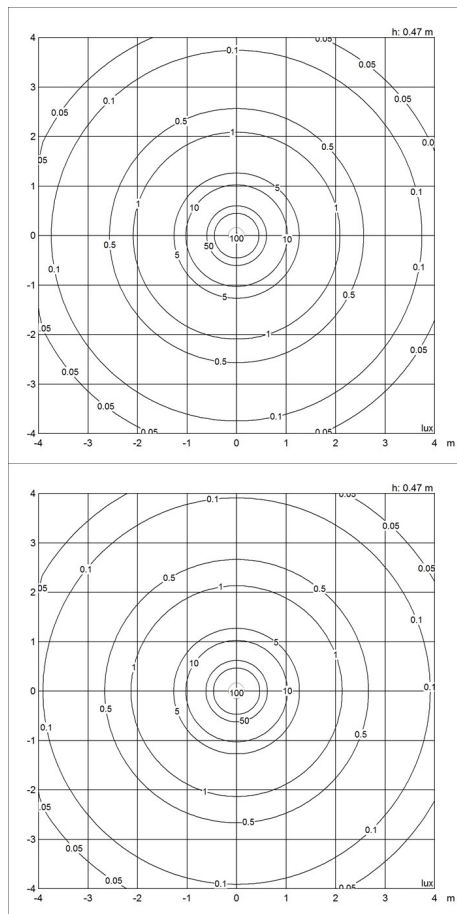
## Polar



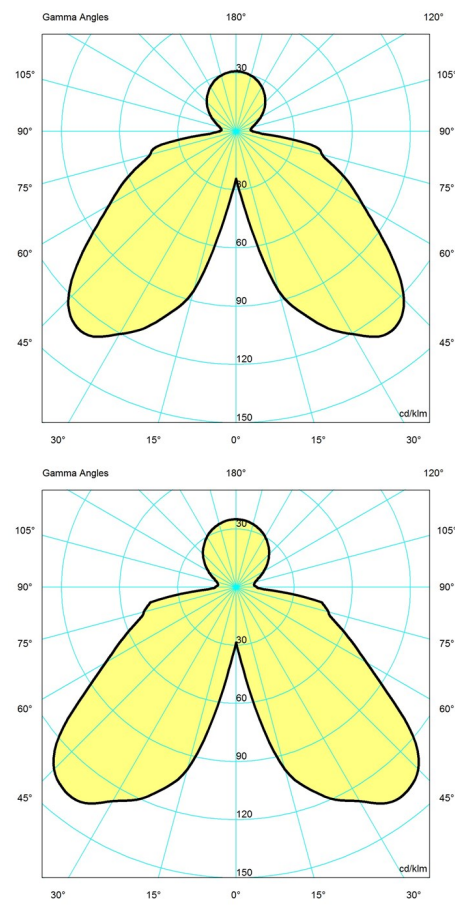
Cartesian



Isolux



Polar



Spare parts & accessories

Product	Variant number
FINGER SCREW SS M3X12 (3PCS) LOWER	5744610528
FINGER SCREW SS M2X8 (3PCS) MIDDLE	5744611116
FINGER SCREW BRASS RAW M2X8 (3PCS)MIDDLE	5744611271
FINGER SCREW BRASS RAW M3X12 (3PCS)LOWER	5744611284
PH 3½-2½ GLASS, MIDDLE SHADE	5744162241
PH 3½-2½ GLASS, LOWER SHADE	5744162254
PH 3½ GLASS FLOOR/TABLE, TOP SHADE	5744162267