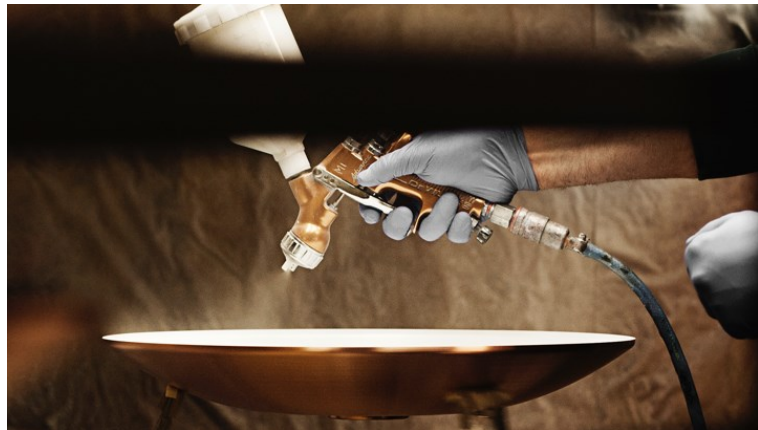


# PH 3/2 Wall

The fixture is designed based on the principle of a reflective three-shade system, which directs the majority of the light downwards. The shades are made of mouth-blown opal three-layer glass, which is shiny on the top and sandblasted matt on the inside, giving a soft and diffuse light distribution.



## Product info

### Mounting

Cable length: 2.9m. Light control: On wall plate.

### Finish

White opal glass. High lustre chrome plated.

### Materials

Shades: Mouth-blown white opal glass. Top plate: High lustre chrome plated, spun brass. Wall box: High lustre chrome plated, spun brass. Arm: High lustre chrome plated, brass.

### Sizes and weights

Width x Height x Length (mm) | 290 x 235 x 367 Max 2.2 kg

### Class

Ingress protection IP20. Electric shock protection II w/o ground.

### Specification notes

The innovation of light sources is ongoing. Consequently we only inform about the max. wattages. On [www.louispoulsen.com](http://www.louispoulsen.com) we update a list of recommendable light sources.

### Light source

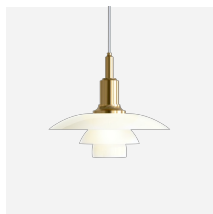
1x40W 1x40W E14



## Product family



PH 3/2 Table



PH 3/2 Pendant



PH 3/2 Academy

## Product variants

### Light source

1x40W 1x40W E14

# Design

Poul Henningsen

# Weight

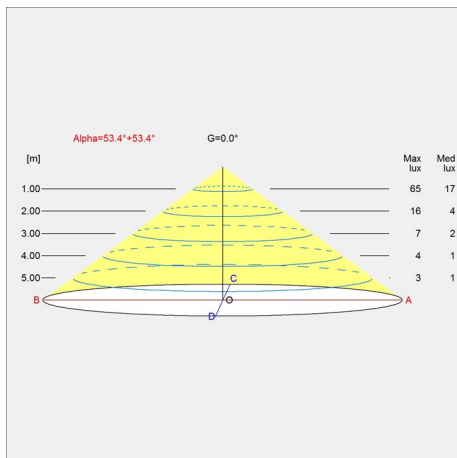
2.182

# Finish

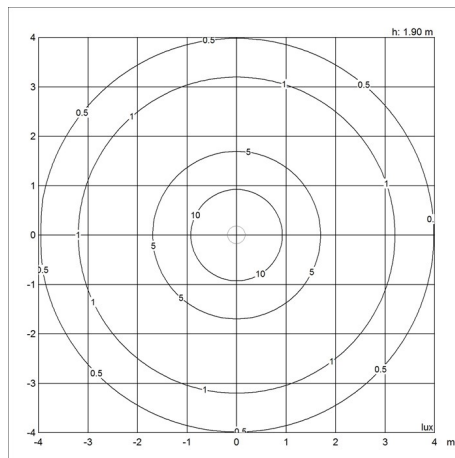
White opal glass

# Light distribution diagrams

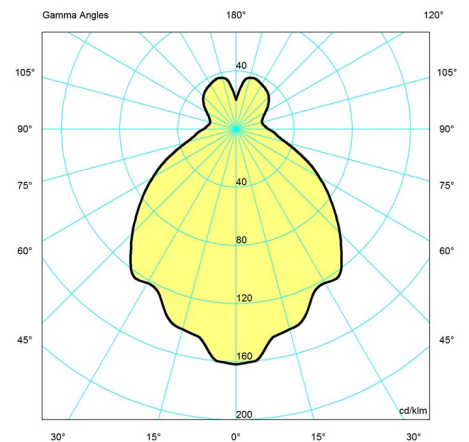
## Cartesian



## Isolux



## Polar



# Spare parts & accessories

**Product**

- PH 3-2, MIDDLE SHADE, GLASS
- PH 3-2, LOWER SHADE, GLASS
- PH 3-2 TABLE/WALL, TOP SHADE, GLASS

**Variant number**

- 5741481598
- 5741481608
- 5741481585