

PH 3/3 PENDANT

The fixture emits a diffused and comfortable glare-free light, characteristic of the reflective three-shade-system by Poul Henningsen. The fixture is available with white opal glass or soft touch black painted metal with a white inner side. The translucent shades in three-layered mouth blown opal glass create a warm glow around the pendant, where the metal shades with the white painted inner sides reflect a fine and primarily downward directed light. The combination of a metal top shade and opal glass middle and lower shades provides both. The included diffuser in frosted glass is easy to insert for an even softer light distribution.



Poul Henningsen

Poul Henningsen was born in Copenhagen by the famous Danish writer Agnes Henningsen. He never graduated as an architect, but studied at The Technical School at Frederiksberg, Denmark from 1911-14, and then at Technical College in Copenhagen from 1914-17.



Product info

Information

Frosted glass bottom diffuser to ensure a diffuse light distribution.

Mounting

Suspension type: Black textile cable 2x0,75mm². Cable length: 4m. Canopy: Yes. Specially designed matt black painted canopy. Height adjustment of light source approx. 25mm depending on light source used.

Finish

Shades: White opal glass or soft touch black painted with white inner side. Suspension: Matt black, powder coated. Canopy: Matt black, powder coated.

Materials

Shades: Mouth-blown white opal glass or spun aluminium. Bottom diffuser: Frosted glass. Suspension: Aluminium. Canopy: Aluminium.

Sizes and weights

Width x Height x Length (mm) | 285 x 300 x 285 Max 1.9 kg

Class

Ingress protection IP20. Electric shock protection II w/o ground.

Light source

1x60W E27

Information

Frosted glass bottom diffuser to ensure a diffuse light distribution.



Product variants

Colour	Light source	Shade
<input checked="" type="radio"/> Metal black	1x60W E27	Glass
<input checked="" type="radio"/> Metal black/opal glass		METAL BLACK
<input type="radio"/> White opal glass		METAL BLACK/GLASS

Design

Poul Henningsen

Weight

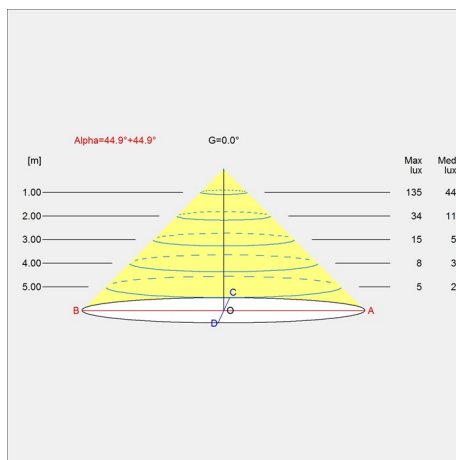
Min: 1.273 kg Max: 1.873 kg

Finish

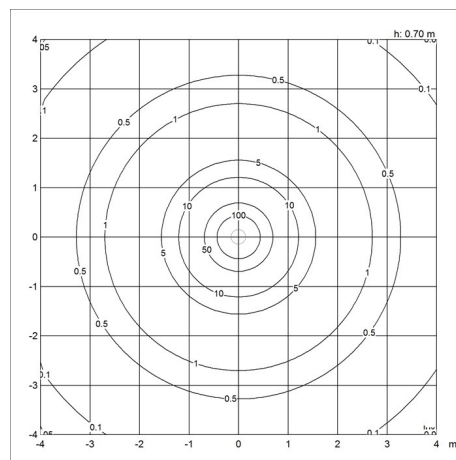
Metal black, Metal black/opal glass, White opal glass

Light distribution diagrams

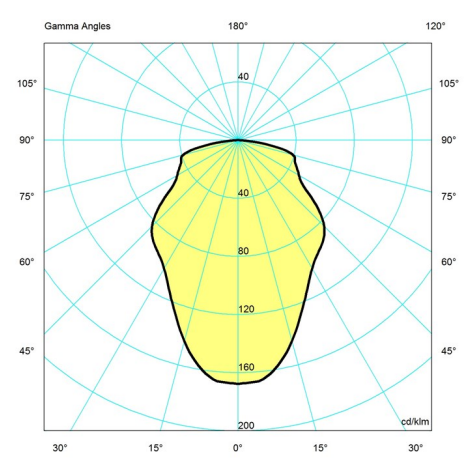
Cartesian



Isolux



Polar



Spare parts & accessories

Product	Variant number
PH 3½-3 glass lower shade	5741094781
PH 3-3 PENDANT SHADEHOLDER BLK METAL V2	5741109443
PH 3-3 PEN SHADE SCREW W NUT BLK 3 PC V2	5741109456
PH 3-3/PH 5-5 PENDANT CANOPY V2	5741109498
PH 3/2 pendant top shade glass	5741085091
PH 3/3 glass middle shade	5741106572
PH 3/3 frosted glass diffuser	5741106637

