

# PH 80

The fixture emits diffuse and symmetrical light. The majority of the light is directed downwards, and the opal acrylic shades provide comfortable room lighting. The red hue of the top reflector helps giving the light a warmer glow.



## Product info

### Mounting

Cable type: Plastic cord with plug. Cable length: 2.6m. Light control: On/off switch on cord.

### Finish

White opal acrylic. High lustre chrome plated.

### Materials

Shades: High pressure moulded white opal acrylic. Top shade: Black, high pressure moulded polycarbonate.  
Base: Black, high pressure moulded ABS. Stem: High lustre chrome plated, steel.

### Sizes and weights

Width x Height x Length (mm) | 550 x 1315 x 550 Max 7.4 kg

### Class

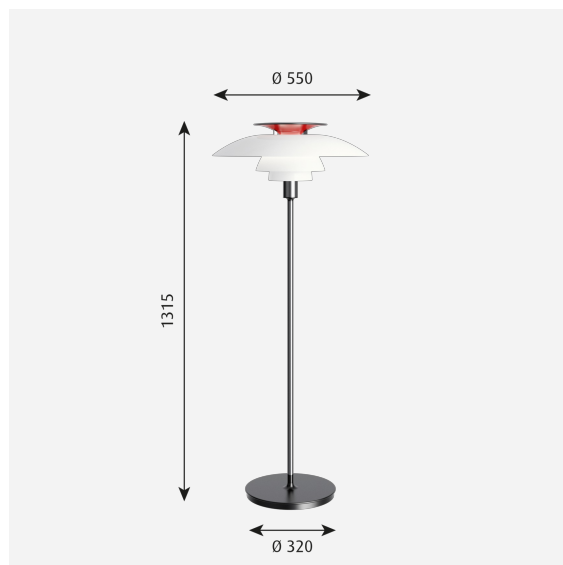
Ingress protection IP20. Electric shock protection II w/o ground.

### Specification notes

The innovation of light sources is ongoing. Consequently we only inform about the max. wattages. On [www.louispoulsen.com](http://www.louispoulsen.com) we update a list of recommendable light sources.

### Light source

1x70W E27



## Product variants

### Light source

1x70W E27

# Product description

Portable fixture.  
Terse and iconic design.  
The size of the three shades is adjusted for optimum performance and comfort.  
Top cover is red to add warmth to light distribution.  
Member of a family products of various sizes and type.

---

## Mounting

Portable fixture plugs into standard wall outlet.

---

## Light description

The fixture emits glare free, comfortable light.

---

## Design

Poul Henningsen

---

## Material

Shades: opal acrylic, 1.5mm (0.06") thick.  
Struts: clear polycarbonate.  
Top cover: black and red polycarbonate.  
Base: injection molded black ABS, 1.5mm (0.06") thick.  
Stem: extruded steel, chrome plated, 1.5mm (0.06") thick.  
Switch: on/off, phenolic, on cord.  
Socket: Porcelain, medium base for A-21, frosted envelope lamps.

---

## Weight

7.407

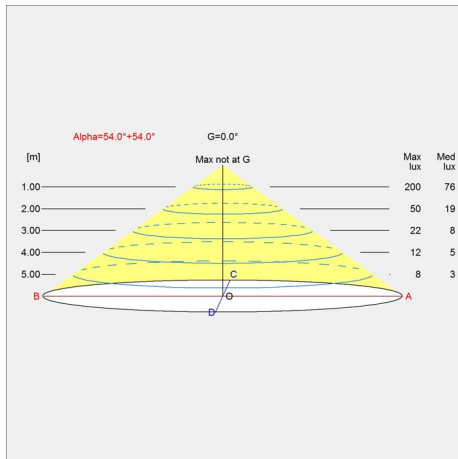
---

## Finish

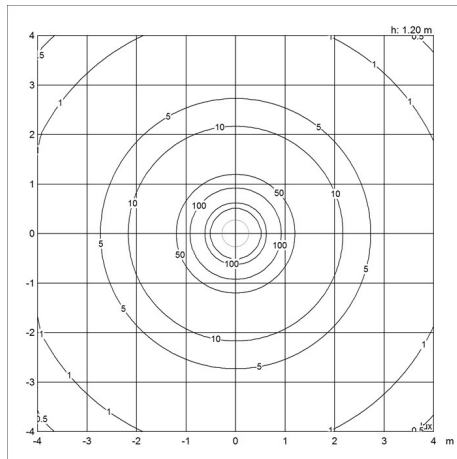
White opal acrylic

# Light distribution diagrams

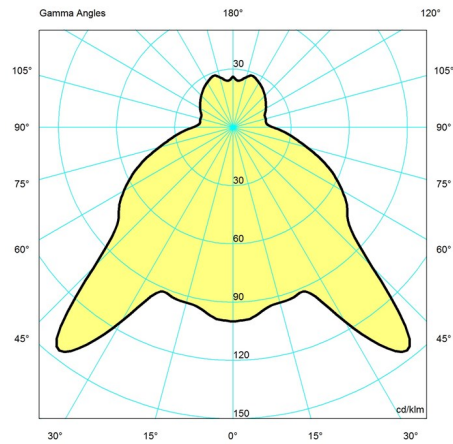
Cartesian



Isolux



Polar



## Spare parts & accessories

**Product**

- FOOT SWITCH, ON/OFF, BLACK
- PH 80, TOP SHADE
- PH 80, MIDDLE SHADE
- PH 80, LOWER SHADE
- PH 80, TOP ROUGE/BLACK
- PH 80, SOCKET COVER W/BRANCH
- PH 80 FLOOR, REBUILDING SET

**Variant number**

- 5717000000
- 5744610298
- 5744610638
- 5744610641
- 5744610667
- 5744610654
- 5744610793