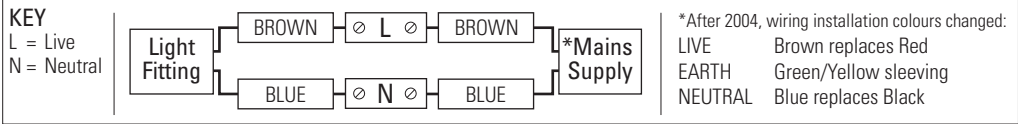


# Safety & Installation Instructions

These instructions are provided for your safety. It is vitally important that they are read in their entirety before commencing installation of your fitting.

1. If you are in any doubt consult a qualified electrician as to the installation of the fitting. Install in accordance with current IEE wiring regulations. It is recommended that this fitting is installed by a qualified electrician.
2. Ensure that the electrical supply is OFF. Disconnect the electrical supply at the fuse-board.
3. If removing an existing fitting first, note all wiring connections: record which of the house wires is connected to the live, neutral and earth terminals.
4. Carefully identify where the supply cable is (and check there are no other cables in the area) to avoid damage to concealed wiring during installation.
5. Position the light where desired ensuring that there is suitable support adjacent to where you will connect to the house supply and mark position of fixing holes, before drilling appropriate holes as below.
6.
  - a. Brick or masonry: Drill holes into which the wall plugs tightly fit, then insert wall plugs.
  - b. Wood: No hole necessary (unless small pilot hole required), screws can be screwed directly into the timber.
  - c. Plaster/Cavity: Special cavity wall fittings are required, rather than provided fixings. These are widely available from good hardware or DIY store and should come with their own instructions that must be followed. It may be easier to relocate the fitting so that you screw directly into a timber joist or beam.
7. Once desired drop determined, adjust the flex length accordingly. Consult an electrician if in any doubt.
  - Use wire cutters to cut flex at desired length and then remove 40mm of the outer sleeve & braid (making sure no damage occurs to the interior cables). Apply tape to the ends of the braid to prevent fraying
  - Remove 10mm of insulation from the conductors, ready to be wired into a connector block.
8. Support the fitting so that no strain is applied to the wiring when making the electrical connections. If necessary get a colleague to help.
9. Electrical connection: this ceiling light is double insulated, **DO NOT ATTACH ANY PART OF IT TO AN EARTH WIRE OR TERMINAL.** Feed the mains supply cable through the black tube of connector block, then make connections following the diagram below. A small flat-head screwdriver is required.



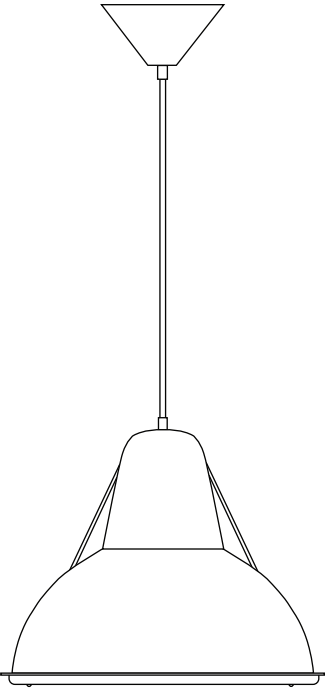
10. Double check all the connections are secure and that no loose strands of wire are left out of the connector, then close the lid of the connector block.
11. Check that no wires are trapped behind or within the fitting and complete the installation, see hanging instructions inside.
12. Fit the correct type and wattage of bulb (or less). Be careful not to overtighten the bulb.
13. Switch on at the fuse-board. Your light fitting is now ready for use.

**Other Important Information:-**

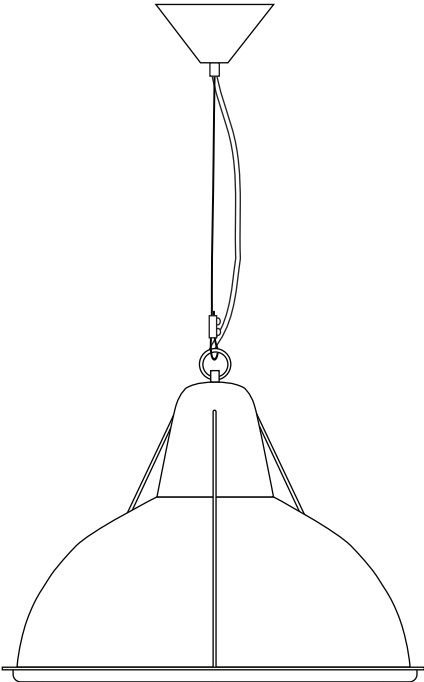
Switch off at mains before changing the light bulbs. Never fit a bulb of greater wattage than recommended. Children should be discouraged from playing with light fittings. Dispose of old bulbs carefully. Never leave a fitting without a bulb in position (or someone can accidentally touch the contacts). Do not mount the fitting on a damp surface such as newly painted or plastered areas as this may cause discolouration of the finish. Metal finishes should only be cleaned with a soft, dry cloth. Do not use polishes or abrasives. Retain for future reference.



# Phane Pendant Light Instruction Manual



Phane Pendant  
FP249



Phane Large Pendant  
FP468








# Phane Pendant Light

| 230V ac 50Hz | IP20 |

FP 249 Phane Pendant

FP 468 Phane Pendant, Large


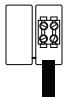
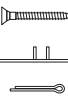
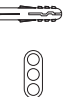

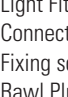
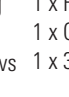
Inspired by a light on the Paris Metro, the Phane provides an even, glare-free illumination whose tone can be changed dependant on the bulb used. Prismatic pendants provide a great central lighting source.

LAMP GUIDANCE Phane Pendant			
BASE	SHAPE	TYPE*	WATTAGE**
 E27	 GLS	 CFL	INCANDESCENT ✓ 20W
		 LED	ECO-HALOGEN ✗ 18W
		 BALL	n/a
		n/a	100W MAX

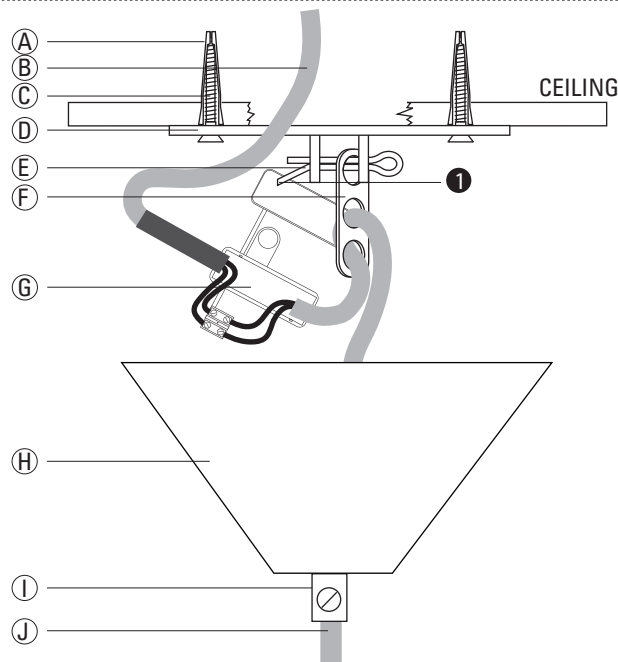
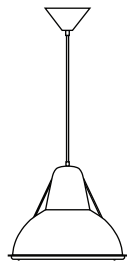
\* Warm white (2700k) low energy lamps recommended.  
 \*\* Wattage value provided as a guide to suitable lamps. Lower wattage than stated may be used.

PLEASE READ THE INSTRUCTIONS ON THE REVERSE BEFORE YOU BEGIN INSTALLING YOUR LIGHT

## Contents

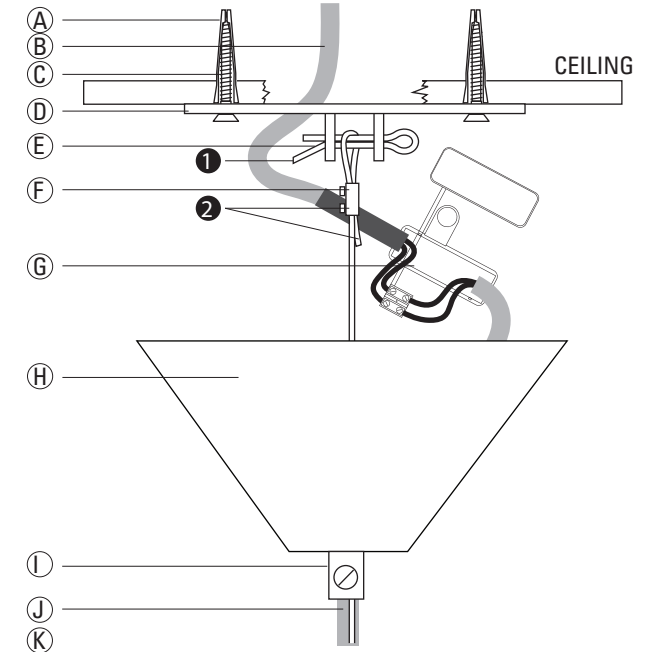
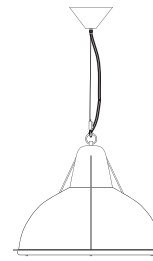
   	1 x Light Fitting 1 x Connector 2 x Fixing screws 2 x Rawl Plugs	  	1 x Hanging Bracket 1 x Cotter pin 1 x 3-hole cord grip	<h3>Tools Required</h3> <ul style="list-style-type: none"> <li>- Cross head screwdriver</li> <li>- Small flat-head screwdriver</li> <li>- Drill (if holes are required)</li> </ul>
--	---	---	---	--

## Installation Diagram - Phane



- A Rawl plugs
- B Main supply
- C Fixing screws
- D Hanging bracket
- E Cotter pin
- F 3-hole cord grip
- G Insulated Connector block
- H Ceiling rose
- I Cord grip
- J Luminaire flex

## Installation Diagram - Phane Large



- A Rawl plugs
- B Main supply
- C Fixing screws
- D Hanging bracket
- E Cotter pin
- F Wire grip
- G Insulated Connector block
- H Ceiling rose
- I Cord grip
- J Luminaire flex
- K Suspension wire

## Hanging Instructions

- Screw the hanging bracket (D) to the ceiling using the rawl plugs and screws as necessary.
- Establish desired drop and adjust luminaire flex (J) and steel wire assembly (K) accordingly. Refer to point 7 on the reverse page.
- Place the cotter pin (E) through the first hole in the hanging bracket (D), then
  - Phane - through the top hole of the 3-hole cord grip (F)
  - Large Phane - through the top loop of the suspension wire (K),
 before inserting through second hole in hanging bracket. Bend one 'leg' of pin (E) back using pliers to prevent pin sliding out of the bracket.
- Before wiring 'Phane', ensure the luminaire flex (J) is threaded through the middle hole of the cord grip (F) and out of the bottom hole as shown in the diagram to ensure the pendant hangs straight.
- Make connection to the mains supply (follow instructions over leaf), using the insulated connector block (G) provided, ensuring the mains supply is inserted through the black tube on one side of the connector first. Once connection is made, close the lid of the connector block firmly, so that it locks together securely.
- The ceiling rose can now be pushed up over the bracket and the connection: Loosen the screw on the cord grip (I) before pushing the ceiling rose up so that it sits flush against the ceiling, then tighten the grub screw to hold the ceiling rose in position. Do not overtighten grub screw.

### IMPORTANT

- 1 Bend leg of Pin (E) to secure pin firmly in place
- 2 Tighten the loop of the suspension wire, making the smallest loop possible (trimming excess wire), so the brass wire grip (F) does not obstruct the ceiling rose from sliding up to be flush with the ceiling. Ensure screws are firmly tightened and that only the wire (K) supports the weight of the pendant.