



## Pira G2 system

Pira G2 is a contemporary interpretation of the original Pira from 1954. The new Pira G2, by Anna von Schewen and Björn Dahlström, has a modular design and can be free-standing, with floor-to-ceiling tension, or wall mounted. It is equally well-suited to larger living areas as public spaces, elegant and robust at the same time with gravitas in material and dimensions. The cabinet, organisers and bookends in walnut or white oak furnish the shelves and create a warm contrast to the metal. The poles and shelves comes in white and black grey.

### About the designers – Björn and Anna

Architect and designer Anna von Schewen is considered one of Sweden's most progressive and experimental designers. She has together with her partner Björn Dahlström designed several products for String Furniture. Björn Dahlström is also a well-established Swedish industrial designer. He is represented in various museums around the world, including the national Museum for Art, Architecture and Design in Oslo, The Museum of Design & Craft (The Röhsska Museum) in Gothenburg and Victoria & Albert Museum in London.

### System dimensions

Possible widths: 90 cm / 70 cm

Shelf depth: 34 cm

Maximum height for floor-ceiling mounted: 316 cm

Maximum height for wall mounted: 308 cm

### Packaging

The system is packed flat-packed and adjusted according to pallets. The system needs to be assembled.

### Weight recommendation

50 kg evenly spread across one shelf

Maximum of 7 shelves in one section

### Materials and colors

Poles and shelves in powder coated steel or aluminium.

Brackets in powder coated zinc.

### Sustainability

The metal is made from powder coated aluminium or steel and can both be recycled.

### Care and maintenance

Wipe the surface with a cloth. Damp wipe with detergent solution. Then rub dry with a cloth. Remove stains with detergents that do not contain abrasives. Never use steel wool.



White RAL 9016



Black grey NCS S 8500-N





## Pira G2 cabinets

Pira G2 is a contemporary interpretation of the original Pira from 1954. The new Pira G2, by Anna von Schewen and Björn Dahlström, has a modular design and can be free-standing, with floor-to-ceiling tension, or wall mounted. It is equally well-suited to larger living areas as public spaces, elegant and robust at the same time with gravitas in material and dimensions. The cabinet, organisers and bookends in walnut or white oak furnish the shelves and create a warm contrast to the metal. The poles and shelves comes in white and black grey.

### About the designers – Björn and Anna

Architect and designer Anna von Schewen is considered one of Sweden's most progressive and experimental designers. She has together with her partner Björn Dahlström designed several products for String Furniture. Björn Dahlström is also a well-established Swedish industrial designer. He is represented in various museums around the world, including the national Museum for Art, Architecture and Design in Oslo, The Museum of Design & Craft (The Röhsska Museum) in Gothenburg and Victoria & Albert Museum in London.

### Product dimensions

W: 66,3 cm H: 41,6 cm D: 31 cm

or

W: 86,3 cm H: 41,6 cm D: 31 cm

Cabinets measuring 66,3 cm in width are suitable for shelves in 70 cm and 90 cm width.

Cabinet measuring 86,3 in width is suitable for shelves in 90 cm width.

### Packaging

W: 81,3 cm H: 10,7 cm D: 42,2 cm

Weight: 16,6 kg

or

W: 90,4 cm H: 10,7 cm D: 44,9 cm

Weight: 20,5 kg

The cabinets are flat-packed and need to be assembled.

### Weight recommendation

See shelf recommendations.

### Materials and colors

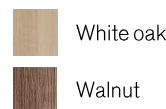
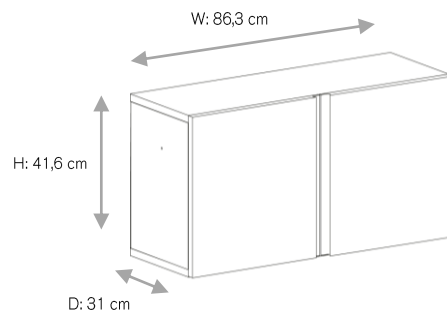
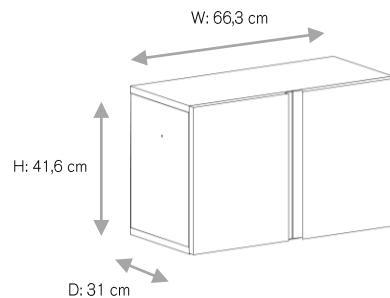
The cabinets are made from solid wood, veneer and particleboard.

### Sustainability

The cabinets are made from the renewable and recyclable material wood, both solid wood, veneer and particleboard.

### Care and maintenance

Wipe the surface with a cloth. Damp wipe with detergent solution. Then rub dry with a cloth. Remove stains with detergents that do not contain abrasives. Never use steel wool.







## Pira G2 organisers

Pira G2 is a contemporary interpretation of the original Pira from 1954. The new Pira G2, by Anna von Schewen and Björn Dahlström, has a modular design and can be free-standing, with floor-to-ceiling tension, or wall mounted. It is equally well-suited to larger living areas as public spaces, elegant and robust at the same time with gravitas in material and dimensions. The cabinet, organisers and bookends in walnut or white oak furnish the shelves and create a warm contrast to the metal. The poles and shelves comes in white and black grey.

### About the designers – Björn and Anna

Architect and designer Anna von Schewen is considered one of Sweden's most progressive and experimental designers. She has together with her partner Björn Dahlström designed several products for String Furniture. Björn Dahlström is also a well-established Swedish industrial designer. He is represented in various museums around the world, including the national Museum for Art, Architecture and Design in Oslo, The Museum of Design & Craft (The Röhsska Museum) in Gothenburg and Victoria & Albert Museum in London.

### Product dimensions

W: 66,3 cm H: 6 cm D: 31 cm

or

W: 86,3 cm H: 6 cm D: 31 cm

Organisers measuring 66,3 cm in width are suitable for shelves in 70 cm and 90 cm width.

Organisers measuring 86,3 in width is suitable for shelves in 90 cm width.

### Packaging

W: 70 cm H: 7,5 cm D: 35,5 cm

Weight: 3,1 kg

or

W: 90 cm H: 7,5 cm D: 35,5 cm

Weight: 3,6 kg

The organisers are semi-mounted, minimal assembly required.

### Weight recommendation

N/A

### Materials and colors

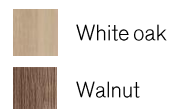
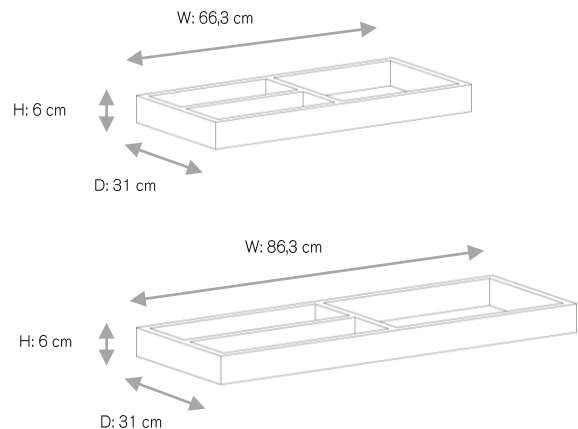
The organisers are made from solid wood, veneer, mdf and steel.

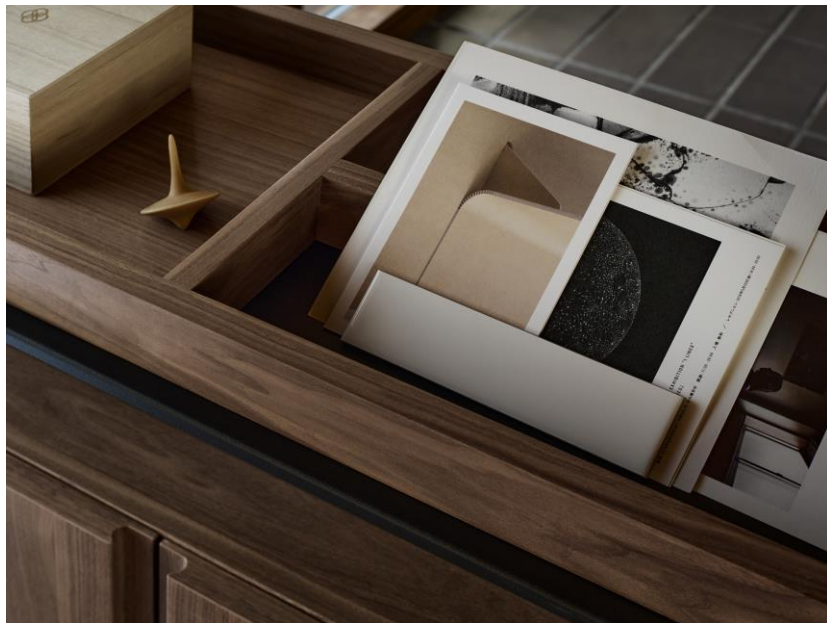
### Sustainability

The organisers are made from the renewable and recyclable material wood, both solid wood, veneer, mdf and steel.

### Care and maintenance

Wipe the surface with a cloth. Damp wipe with detergent solution. Then rub dry with a cloth. Remove stains with detergents that do not contain abrasives. Never use steel wool.







## Pira G2 bookend

Pira G2 is a contemporary interpretation of the original Pira from 1954. The new Pira G2, by Anna von Schewen and Björn Dahlström, has a modular design and can be free-standing, with floor-to-ceiling tension, or wall mounted. It is equally well-suited to larger living areas as public spaces, elegant and robust at the same time with gravitas in material and dimensions. The cabinet, organisers and bookends in walnut or white oak furnish the shelves and create a warm contrast to the metal. The poles and shelves comes in white and black grey.

### About the designers – Björn and Anna

Architect and designer Anna von Schewen is considered one of Sweden's most progressive and experimental designers. She has together with her partner Björn Dahlström designed several products for String Furniture. Björn Dahlström is also a well-established Swedish industrial designer. He is represented in various museums around the world, including the national Museum for Art, Architecture and Design in Oslo, The Museum of Design & Craft (The Röhsska Museum) in Gothenburg and Victoria & Albert Museum in London.

### Product dimensions

W: 3 cm H: 20 cm D: 20 cm

The bookends need to be placed on a shelf.

### Packaging

W: 28 cm H: 4,42 cm D: 21,6 cm

Weight: 1 kg

The bookends are flat-packed and need to be assembled.

### Weight recommendation

N/A

### Materials and colors

The bookends are made from solid wood and aluminium.

### Sustainability

The bookends are made from the renewable and recyclable materials solid wood and aluminium.

### Care and maintenance

Wipe the surface with a cloth. Damp wipe with detergent solution. Then rub dry with a cloth. Remove stains with detergents that do not contain abrasives. Never use steel wool.

