

REPUBLIC OF **Fritz Hansen**®

NAP™



The Danish designer Kasper Salto has designed the NAP™ chair for Fritz Hansen. NAP is a series of light chairs, armchairs, bar- and counter stools designed for optimum sitting comfort regardless of the sitting position. NAP is an abbreviation of Normal, Active and Passive – because sitting is in actual fact constant movement.



KASPER SALTO 1967-

Kasper Salto was originally trained as a cabinet maker and later graduated in 1994 from the Danish Design School. In Kasper Salto's work the Danish tradition of furniture design is continued in a well-balanced combination with international industrial design and its new trends. Salto's main source of inspiration is nature and its way of colouring. Kasper Salto has already received several design awards for his work. Salto has also designed the NAP™ series and Little Friend™ table.



DESIGN

Kasper Salto, 2010.

DESCRIPTION

Chairs designed by Kasper Salto, manufactured by Fritz Hansen.

NAP™ is available in ten varieties: with 4 legs (of steel or wood), sled and as bar or counter stool, all with and without arms. The back of the shell has a high-gloss surface, and the front is matt and ribbed to emphasise the geometry of the chair. The base is available in 14 mm steel tubes (powder coated in colours matching the shell or chromed) and in natural oak veneer legs. The sled base as well as the bar and counter stool are only available with legs in chromed steel. To minimise undesired noise and the risk of floor marks, the front and back leg ferrules have different sizes on the 4-legged versions in steel. The leg ferrules are made of black TPE.

All varieties come in six different colours: Milk White, Pepper Grey, Midnight Blue, Silver Grey, Verona Green and Sky Blue.

The shell is moulded and dyed through in nylon (Polyamide – PA6), which allows the material to be recycled. The underside cover and the spacing blocks are made of nylon and TPE (Thermo Plastic Elastomer), respectively. Both are dyed through in the colour of the shell.

Three variants of NAP stacks 8-10 units at a time.

UPHOLSTERY

NAP™ is also available with seat upholstery – the upholstery may also be purchased separately and mounted later or be replaced. The seat cushion is made of PE foam with velour hooks on the reverse side and fabric on top, thickness 5 mm. The cushion is available in Divina fabric from Kvadrat in a selection of predefined colours.

ENVIRONMENT & TESTS

For environmental reasons the chair can easily be dismantled and recycled. The main chair component – nylon, is a plastics material used in our everyday lives, and the chair is therefore suitable for recycling. The plastic can be granulated, and steel parts can be recycled.

The chair has been tested and approved according to EN 15373 for Strength, Durability and Stability - test level 2 general contract use, EN 1728 Strength and Durability and EN 1022 Stability.

WARRANTY

Standard goods have warranty for five years against manufacturing defects (i.e. materials and design). The warranty does not cover leather and other fabrics ordered as customers own or special material as well as products manufactured according to customer specifications. Normal wear and tear and damage of covers are not covered by the warranty. The warranty for wicker is 2 years.

EXTENDED LIMITED WARRANTY

Fritz Hansen offers an extended limited warranty if you register your NAP™ chair online at fritzhansen.com/MY-REPUBLIC. Registration with the product ID number must be made within three (3) months from the date of purchase, otherwise the extended limited warranty will not apply.

Years of warranty:

5 years covers: Fabric, Base: Powder coated, Wood.

10 years covers: Base: Steel, Shell.



VARIATIONS & DIMENSIONS

MODEL KS50 - chair, without arms, chromed/powder coated legs, stackable

Seat height: 45, 47.5 cm / 17.7", 18.7"

Height: 77 cm / 30.3"

Width: 54 cm / 21.3"

Depth: 51 cm / 20"

MODEL KS51 - without arms, chromed sled base, stackable

Seat height: 45 cm / 17.7"

Height: 77 cm / 30.3"

Width: 54 cm / 21.3"

Depth: 51 cm / 20"

MODEL KS52 - without arms, natural oak base

Seat height: 45 cm / 17.7"

Height: 77 cm / 30.3"

Width: 54 cm / 21.3"

Depth: 51 cm / 20"

MODEL KS58 - counter stool, without arms, chromed base

Seat height: 64 cm / 25.2"

Height: 97 cm / 38.2"

Width: 56 cm / 22"

Depth: 52 cm / 20.5"

MODEL KS59 - bar stool, without arms, chromed base

Seat height: 76 cm / 30"

Height: 109 cm / 43"

Width: 56 cm / 22"

Depth: 54 cm / 21.2"

MODEL KS60 - chair, with arms, chromed/powder coated legs, stackable

Seat height: 45, 47.5 cm / 17.7", 18.7"

Height: 77 cm / 30.3"

Width: 62 cm / 24.4"

Depth: 51 cm / 20"

MODEL KS61 - with arms, chromed sled base

Seat height: 45 cm / 17.7"

Height: 77 cm / 30.3"

Width: 62 cm / 24.4"

Depth: 51 cm / 20"

MODEL KS62 - with arms, natural oak base

Seat height: 45 cm / 17.7"

Height: 77 cm / 30.3"

Width: 62 cm / 24.4"

Depth: 51 cm / 20"

MODEL KS68 - counter stool, with arms, chromed base

Seat height: 64 cm / 25.2"

Height: 97 cm 38.2"

Width: 62 cm / 24.4"

Depth: 52 cm / 20.5"

MODEL KS69 - bar stool, with arms, chromed base

Seat height: 76 cm / 30"

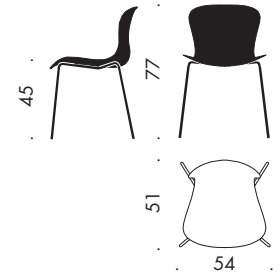
Height: 109 cm / 43"

Width: 62 cm / 24"

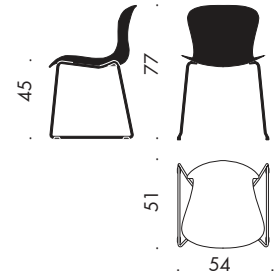
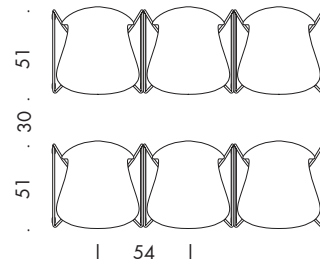
Depth: 54 cm / 21"



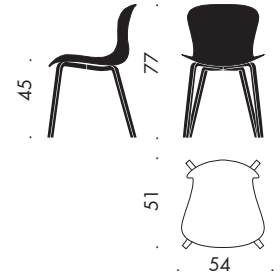
NAP™ CHAIR - KS50



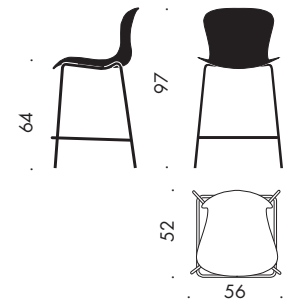
NAP™ CHAIR - KS51



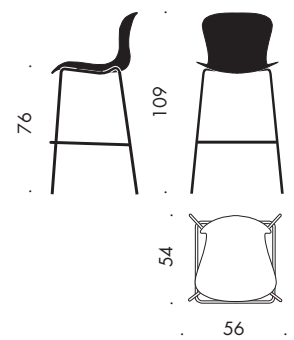
NAP™ CHAIR - KS52



NAP™ COUNTER STOOL - KS58

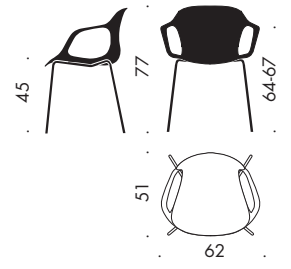


NAP™ BAR STOOL - KS59

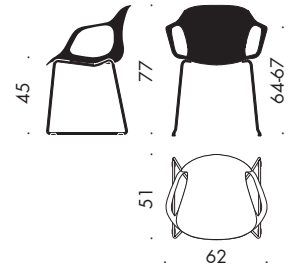




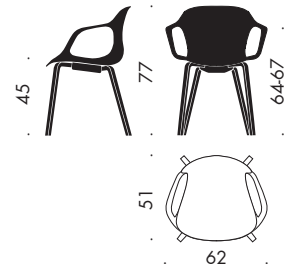
NAP™ CHAIR - KS60



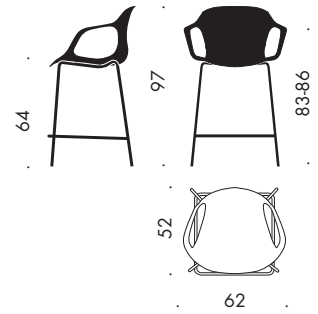
NAP™ CHAIR - KS61



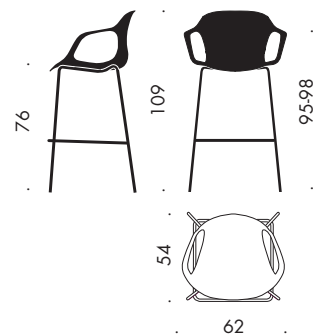
NAP™ CHAIR - KS62



NAP™ COUNTER STOOL - KS68



NAP™ BAR STOOL - KS69



Fritz Hansen A/S® - This documentation and the products and designations therein are protected by law, including the Danish Copyright Act, Trademark Act and Marketing Practices Act, and may not be used without prior written authority from Fritz Hansen A/S. Legal proceedings may be instituted against any parties breaching the rights of Fritz Hansen A/S.

Innes
11-13 The Square
Hessle East Yorks HU13 0AF
England
T: +44 (0)1482 649271
F: +44 (0)1482 647189
E: innesonline@mac.com
www.ivorinnes.com

FRITZHANSEN.COM

