

# XILOS

---



---

## PRODUCT INFO

DESIGNER: ANTONIO CITTERIO

TYPOLOGY: TABLES

COLLECTION: MAXALTO

YEAR: 2012

## DESCRIPTION

THE TABLE FEATURES A WOODEN BASE IN THE FORM OF A CROSS AND IS AVAILABLE IN BOTH SQUARE AND ROUND TOP VERSIONS. THE ROUND VERSION HAS THE OPTION OF A CENTRAL REVOLVING TRAY. AVAILABLE IN BRUSHED LIGHT OR BLACK OAK, GREY OR BROWN OAK.

---

**MAXALTO**

# XILOS

---

## TECHNICAL INFORMATION

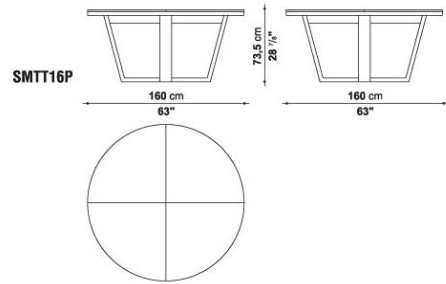
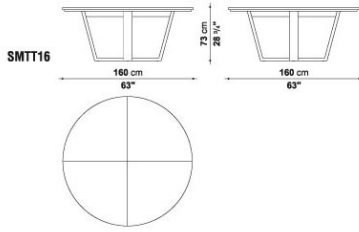
- **TOP:**  
OAK VENEERED PLYWOOD PANEL WITH HONEYCOMB-CORE AND WOOD PARTICLES OR WOOD PARTICLES PANEL WITH SOLID WOOD PARTS: CALACATTA MARBLE OR EMPERADOR MARBLE
- **FRAME:**  
OAK VENEERED SOLID BEECHWOOD
- **SWIVEL TRAY (SMTG7-SMTG11):**
- HPL STRATIFIED LAMINATE PANEL: OAK VENEERED WOOD PARTICLES PANEL OR CALACATTA MARBLE OR EMPERADOR MARBLE
- **ROTATION MECHANISM (SMTG7-SMTG11):**  
ALUMINUM WITH STEEL BALLS
- **ADJUSTABLE FEET:**  
STEEL AND PLASTIC MATERIAL

# XILOS

## TECHNICAL DRAWINGS

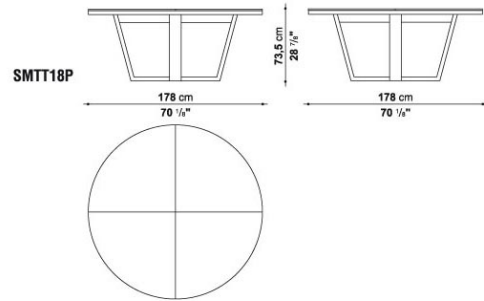
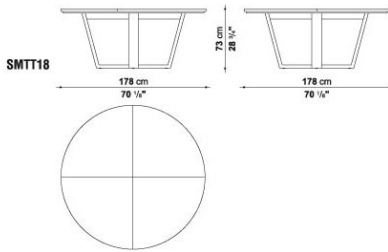
SMTT16

SMTT16P



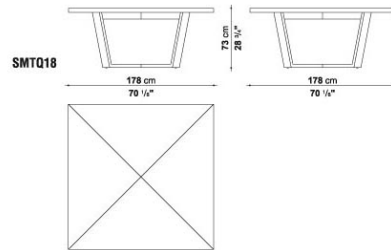
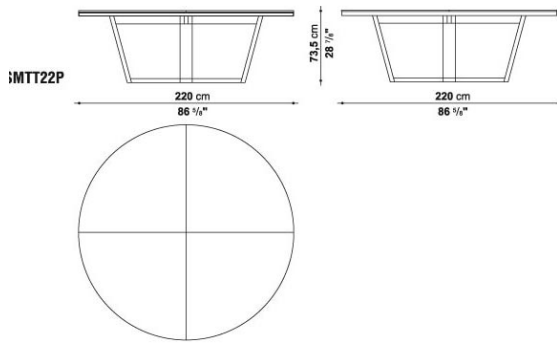
SMTT18

SMTT18P



SMTT22P

SMTQ18



SMTG7N

SMTG11

