

m o o o i[®]



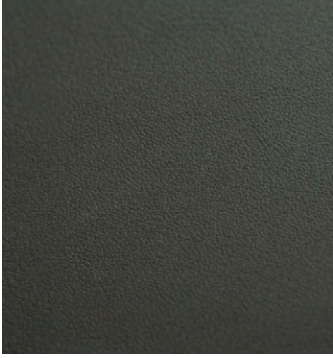
Monster Bar Stool & Monster Bar Stool Low

'A soft, puffy and stylish chair. The monster is a symbol of the eternal battle between opposite forces that take place in life and can be easily recognized inside ourselves, if we have the courage to open our eyes. Scary? Not at all! You forget all about the monster once you sit down and enjoy the chair's comfort and softness.'

Designer
Year of design
Material

Marcel Wanders
2011
Fire retardant synthetic leather on foam upholstered steel frame.

Upholstery



Black syntetic leather

Composition 88% PVC - compound
12% PES - fabric

Abrasion >50.000 Martindale

Firetest NF M2,
BS5852 IS-0+1,
EN1021-1+2,
DIN4102 (Part 1, B2)

Strength, durability and safety EN 15373:2007, level 2 – general

Stability EN 1022:2005 (stability)

Cleaning Instructions

The chair can be cleaned with a damp cloth and with most quality multi-surface cleaners. If the chair has dust it is best to remove this before proceeding with liquid cleaners. To do this Moooi recommends using a feather duster or a soft dry cloth. Always read the label of any cleaning product you intent to use on or near any item from the Moooi collection.

Packaging

Monster Bar Stool:

H 108 cm | 42.5"
W 51 cm | 20"
D 60 cm | 23.6"

Product weight:
12 KG | 26.4 lb
Total packaging weight:
15 KG | 33 lb

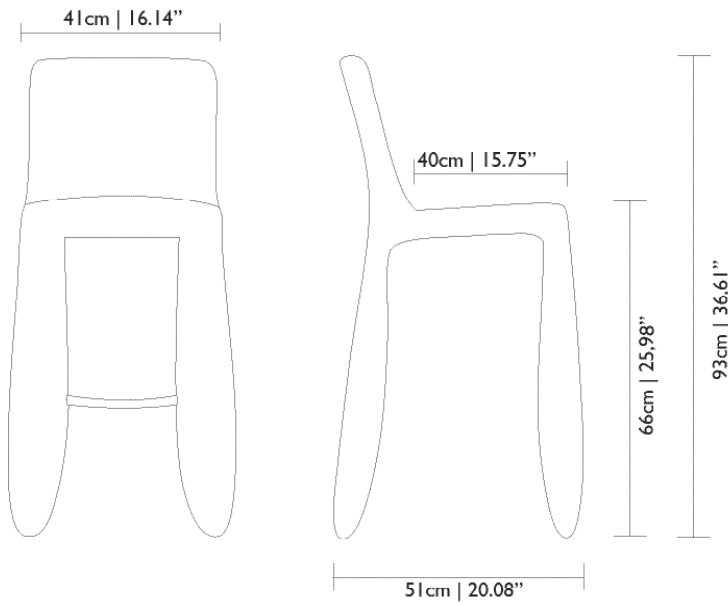
Monster Bar Stool Low:

H 102 cm | 40.2"
W 51 cm | 20"
D 60 cm | 23.6"

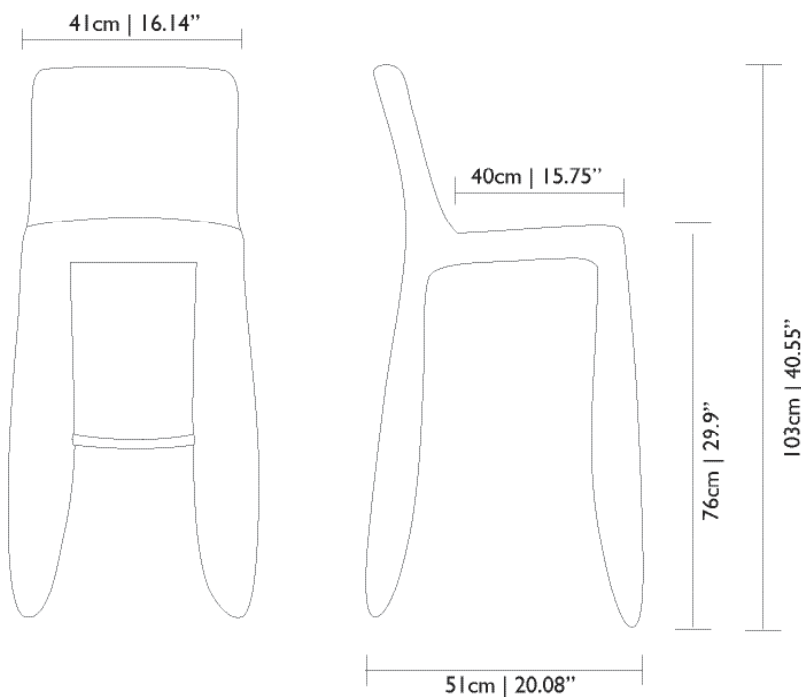
Product weight:
11.5 KG | 25.4 lb
Total packaging weight:
13 KG | 27.7 lb

Main dimensions

Monster Bar Stool Low:



Monster Bar Stool:



Innes
11-13 the square
hessle
east yorks
hu13 0af
england
+ 44 1482 649271
innesonline@mac.com
www.innes.co.uk