

m o o o i<sup>®</sup>



## New Antiques Barstool

---

The New Antiques Barstool complements its hard, voluptuous body with the softness of a cozy pillow and the comfort of a relaxing footrest. A vintage blend of antique and new with a hint of flirtatious playfulness!

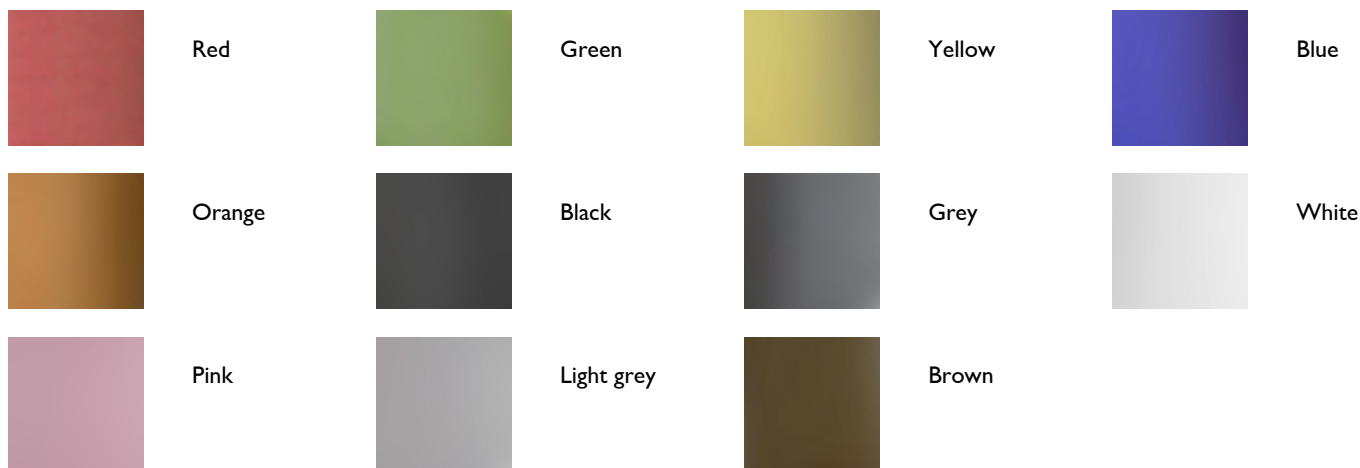
---

<b>Designer</b>	Marcel Wanders
<b>Year of design</b>	2012
<b>Material</b>	PE

---

---

## colours



---

## packaging

### new antiques barstool Low

H 69CM | 27.2"  
W 38CM | 15.0"  
D 44CM | 17.3"

Bruto weight: 7KG | 15.4lb  
Netto weight: 5.5KG | 12.1lb

### new antiques barstool

H 79CM | 31.1"  
W 38CM | 15.0"  
D 44CM | 17.3"

Bruto weight: 8KG | 17.6lb  
Netto weight: 6.5KG | 15.33lb

---

## cleaning instructions

Moooi recommends using a good furniture polish and a soft cloth. Apply generously in layers to the surface and use the cloth to shine. Do not use abrasive fabrics, gently remove tough stains with warm water and a trusted multi-surface cleaner.

## dimensions

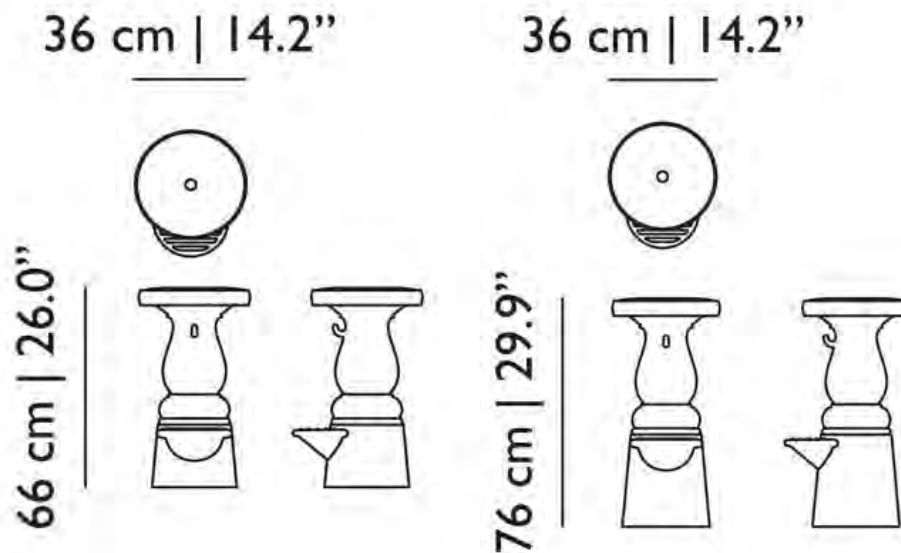
The New Antiques Barstool is available in two sizes:

**new antiques barstool**

Height: 76cm | 29.9"

**new antiques barstool low**

Height: 66cm | 26"



Innes  
11-13 the square  
hessle  
east yorks  
hu13 0af  
england  
+ 44 1482 649271  
innesonline@mac.com  
www.Innes.co.uk