

LIGHT A440

DESIGN ALVAR AALTO 1954

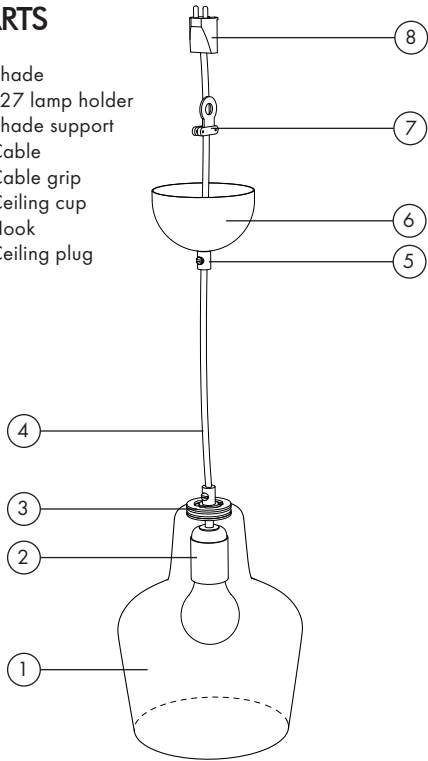


NOTE

Read the instructions carefully before commencing the installation. Make sure the power supply is disconnected from the fuse box before installation. This light fixture is intended for dry indoor use only.

PARTS

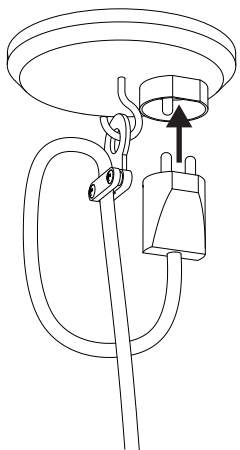
1. Shade
2. E27 lamp holder
3. Shade support
4. Cable
5. Cable grip
6. Ceiling cup
7. Hook
8. Ceiling plug



IP20, appliance class II

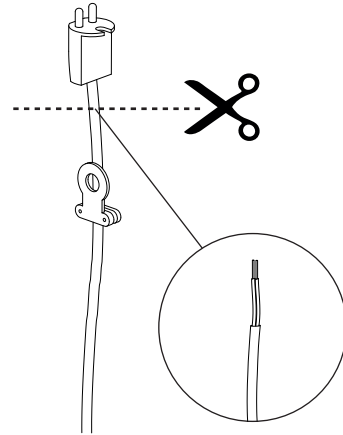
INSTALLATION WITH CEILING PLUG

Use the plastic hook to secure your light on the ceiling and plug it in you main cable. Use cable grip to change the length of the cable.

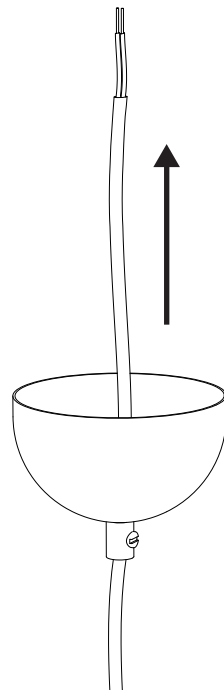


INSTALLATION AND WIRING

1. Make sure the power supply is disconnected from the fuse box before commencing installation. Remove the two pin plug from the cable and strip the wires as shown below.

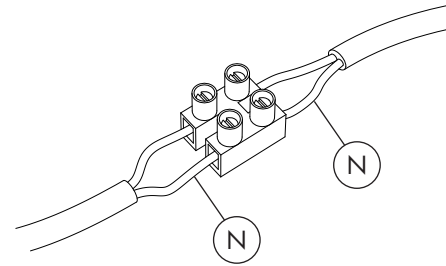


2. Unfasten grub screw at the cable grip to release cable.

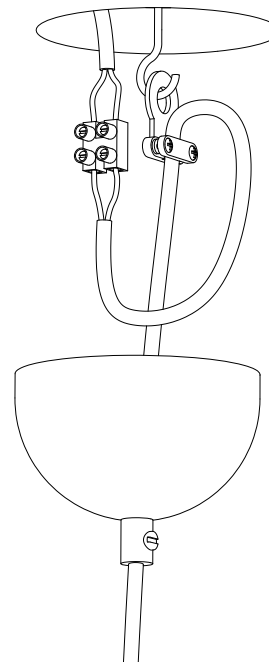


3. Connect the fitting and the connector block to the mains cable as shown. If needed, cover with insulation tape. Check that:

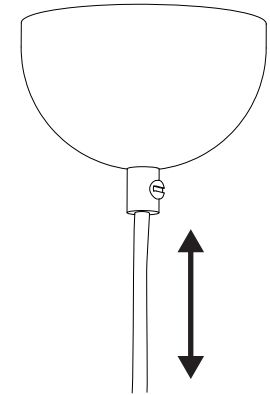
- You have identified the mains cable correctly
- The connections are tight
- No loose strands have been left out from the connector blocks.



4. Assemble the pendant cup components onto the ceiling as shown below. Ensure that the cable is not stressed/ pressed against anything.



5. Control cable's length by unscrewing the cable grip screw and sliding the cable through. Restore power at the fuse box. Your product is now ready to use.



BULB REPLACEMENT

Use E27 max. 60W bulb. Dispose of old bulbs with care. Fit bulb onto the light fitting as per the diagram below.

