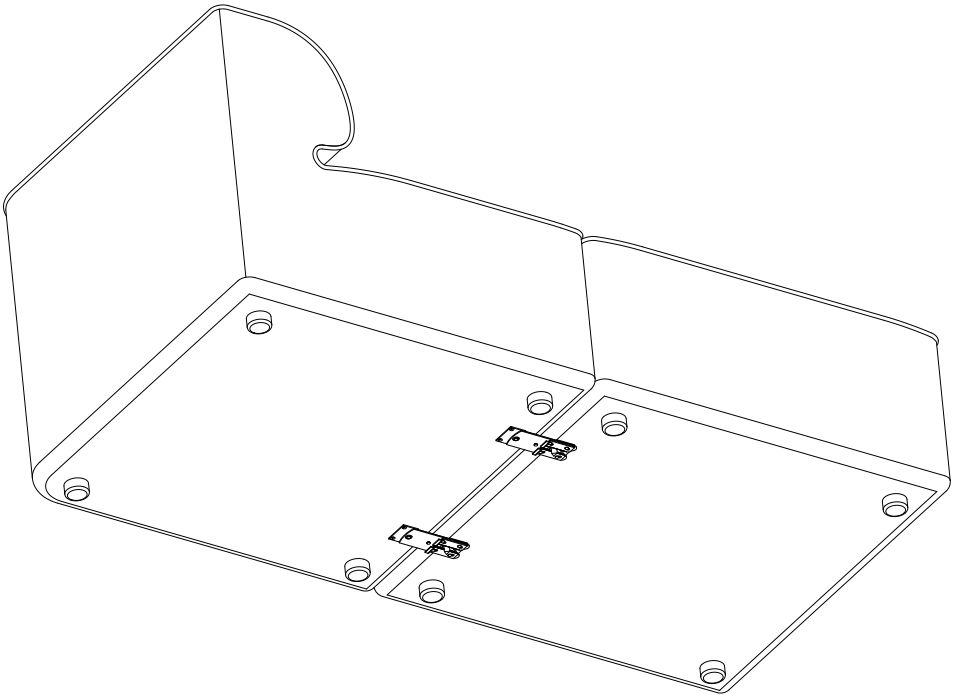


Audo

COPENHAGEN



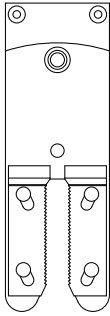
EAVE SEAMLINER CONNECTOR BRACKETS
Designed by *Norm Architects*

Congratulations on your EAVE SEAMLINER SOFA
designed by *Norm Architects*.

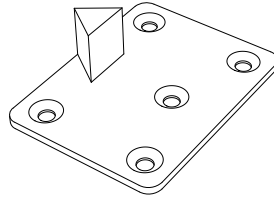
We hope you will enjoy using this item and follow these
instructions to ensure correct installation.
These instructions are provided for your safety.

It is important that the instructions are read carefully
and completely before mounting.

Component Overview



1 x Connector

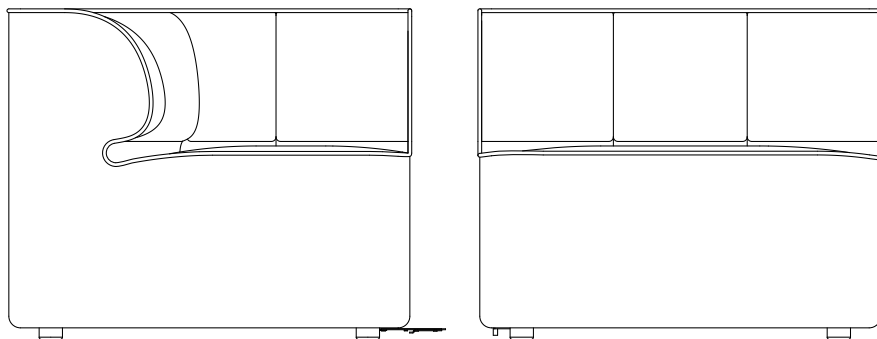


1 x Connector bracket

Care and maintenance

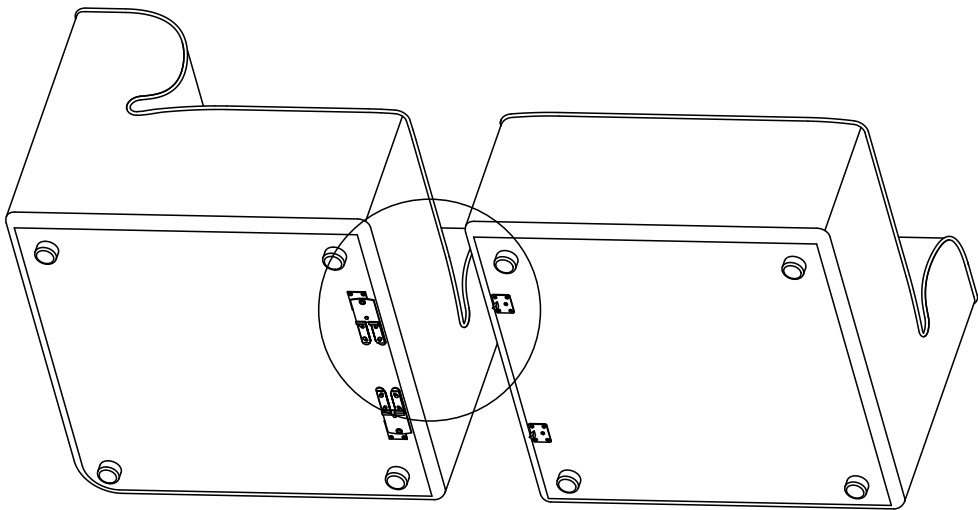
Please see care instructions on www.audocph.com

1

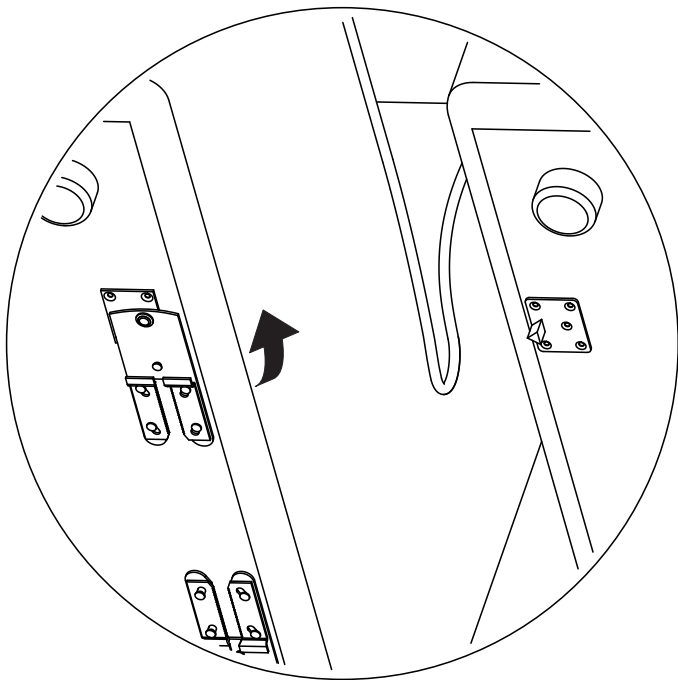


The next assembly steps will be seen from below,
in order to better understand the process.

2

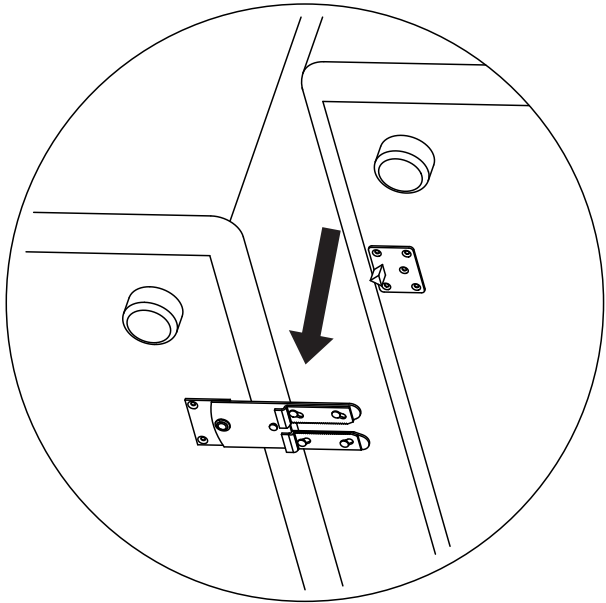
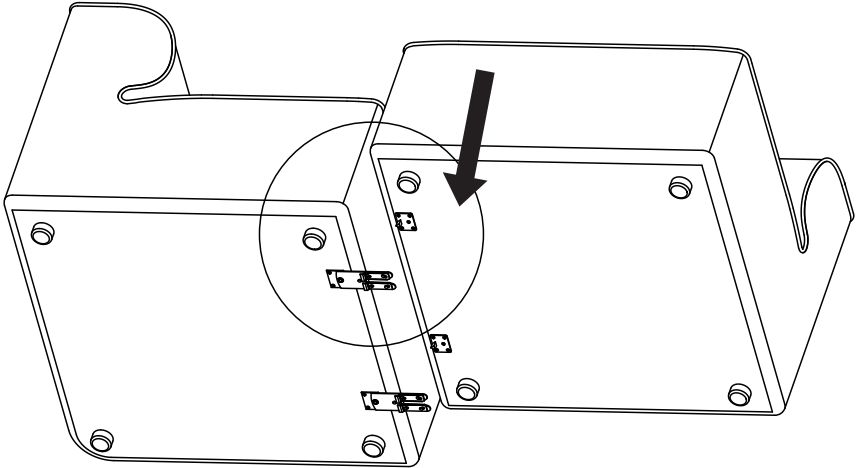


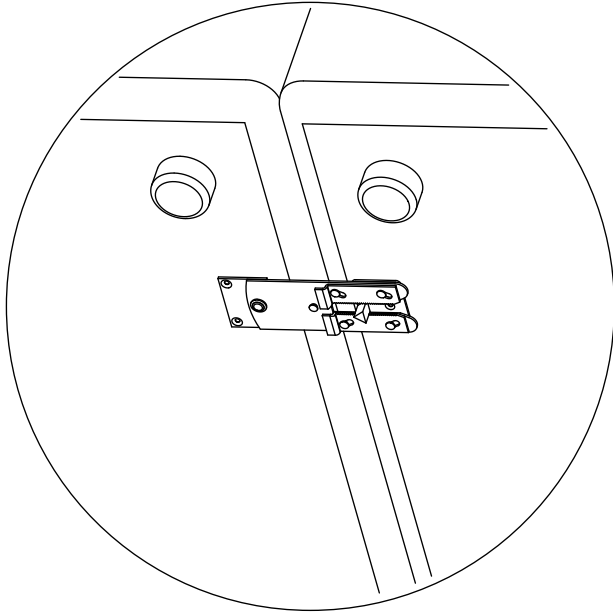
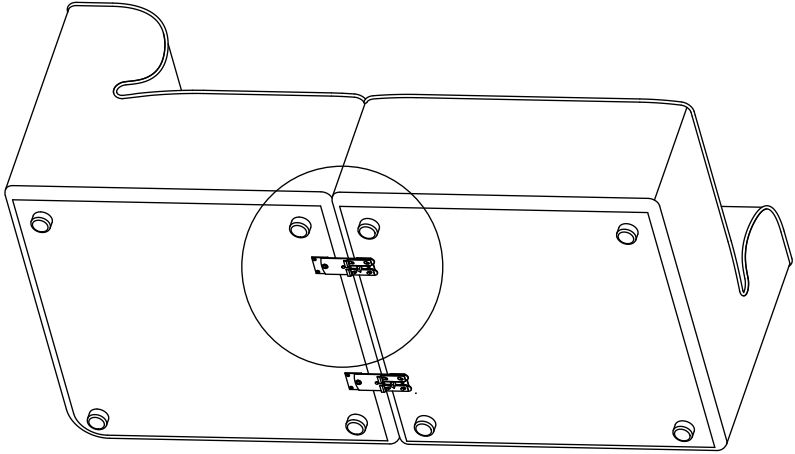
Flip the Connector outward



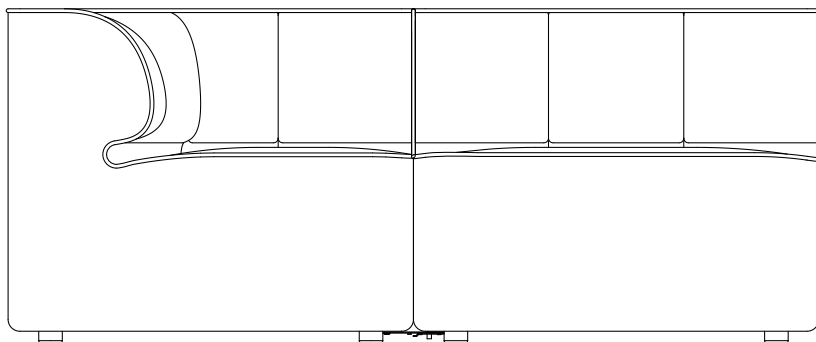
3

Push the modules slowly together

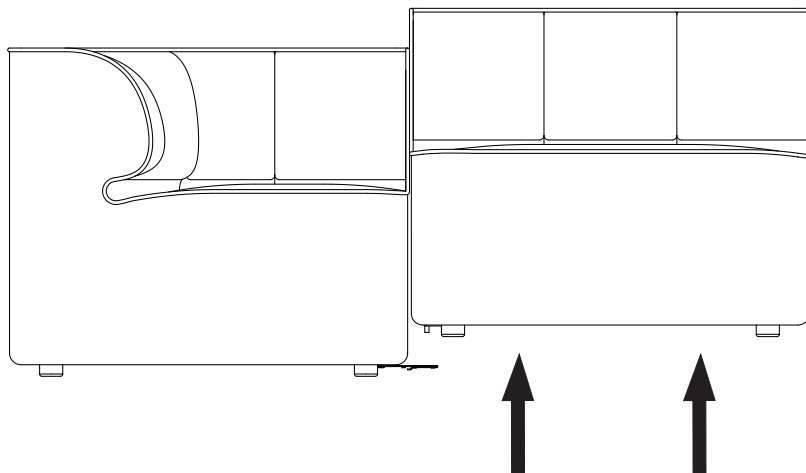




5



In order to separate the modules.
Lift the module with the connection bracket until
the connector is out of the bracket.



6

