

# Audo

COPENHAGEN



EAVE DINING SOFA  
Designed by *Norm Architects*

EAVE DINING SOFA  
Designed by *Norm Architects*

Banquette-style sofa foam-padded modules in fabric upholstery and set on black powder coated steel legs. As no two spaces are the same, we also offer bespoke solutions that accommodate individual requirements for length. All modules can be connected using the pre-mounted brackets.

PRODUCT OPTIONS

*Corner*



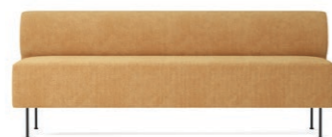
*80*



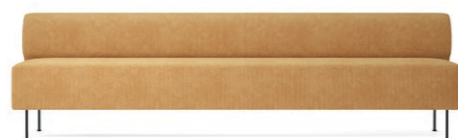
*165*



*200*



*280*



PRODUCT TYPE  
Sofa

COLLI  
1

ENVIRONMENT  
Indoor

DIMENSIONS

*Corner*  
H: 79 cm / 31,1"  
SH: 48 cm / 18,9"  
W: 75 cm / 29,5"  
D: 75 cm / 29,5"  
SD: 45 cm / 17,7"

*80*  
H: 79 cm / 31,1"  
SH: 48 cm / 18,9"  
W: 80 cm / 31,5"  
D: 75 cm / 29,5"  
SD: 45 cm / 17,7"

*165*  
H: 79 cm / 31,1"  
SH: 48 cm / 18,9"  
W: 165 cm / 65"  
D: 75 cm / 29,5"  
SD: 45 cm / 17,7"

*200*  
H: 79 cm / 31,1"  
SH: 48 cm / 18,9"  
W: 200 cm / 78,7"  
D: 75 cm / 29,5"  
SD: 45 cm / 17,7"

*280*  
H: 79 cm / 31,1"  
SH: 48 cm / 18,9"  
W: 280 cm / 110,2"  
D: 75 cm / 29,5"  
SD: 45 cm / 17,7"

TECHNICAL SPECIFICATIONS

PRODUCTION PROCESS  
Modules are constructed with a frame made from pine, plywood and MDF. Seat, backrest and armrests consist of a double layer of foam and no-sag springs. Legs are made from powder coated steel rod, welded on a mounting bracket in steel.

COLOUR  
Dependent upon selected upholstery  
Black glides (RAL 9005)

GLOSS  
N / A

MATERIALS

*Seat*  
Pine, plywood, MDF, steel (spring), HR Foam and upholstery

*Legs*  
Steel

WEIGHT  
80: 32 kg / 70,5 lb  
165: 41 kg / 90,4 lb  
200: 49 kg / 108 lb  
280: 67 kg / 147,7 lb  
Corner: 30 kg / 66,1 lb

Item weight depends on modules selected.

TEST  
ANSI / BIFMA X5.4-2020

CERTIFICATIONS  
TSCA title VI compliant

**Declare.**

PACKAGING TYPE  
Brown box

PACKAGING MEASUREMENTS  
(H x W x D)

*Corner*  
63 cm x 78 cm x 78 cm /  
24,4" x 30,7" x 30,7"

*80*  
62 cm x 78 cm x 83 cm /  
24,4" x 30,7" x 32,7"

*165*  
78 cm x 168 cm x 62 cm /  
30,7" x 66,1" x 24,4"

*200*  
78 cm x 203 cm x 62 cm /  
30,7" x 79,9" x 24,4"

*280*  
78 cm x 283 cm x 62 cm /  
30,7" x 111,4" x 24,4"

Packaging measurements depend on modules selected.

MATERIALS & MAINTENANCE  
Please visit [audocph.com](http://audocph.com) for materials, care and maintenance instructions.

*Spec options*

Available in fabrics from our upholstery programme. Standard lead times apply.

For custom upholstery, please refer to the guiding textile/leather consumption:

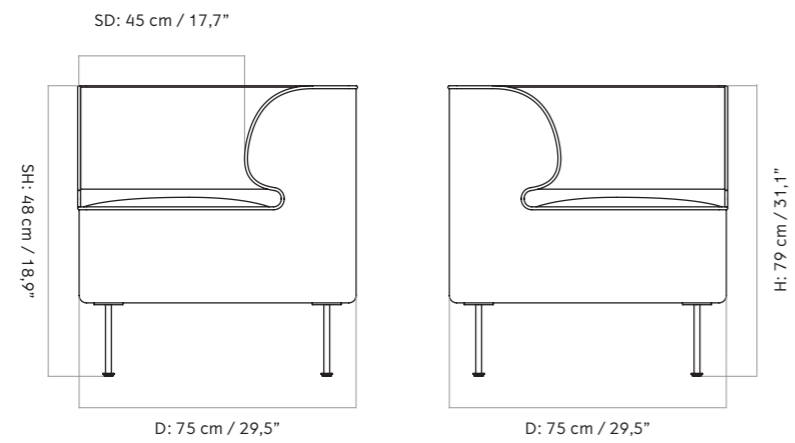
COM Corner: 3,5 m / 3,85 yds  
80 seater COM: 3,2 m / 3,52 yds  
165 seater COM: 4,3 m / 4,73 yds  
200 seater COM: 5 m / 5,5 yds  
280 seater COM: 6,8 m / 7,48 yds

Prices excl. custom upholstery are equal to Price Category 1 Textile or Leather. Contact sales support to place your order.

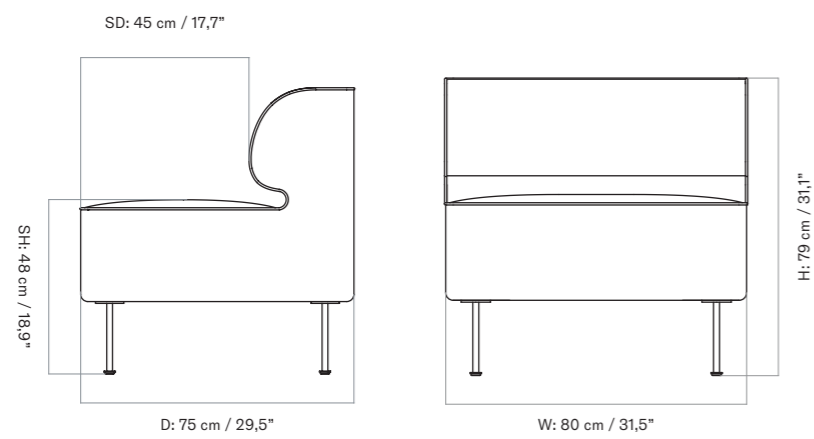
The above textile consumption is only valid for textile rolls with a width equal to or greater than 140 cm. For smaller textile rolls, please contact Sales Support for guidance. For textile with pattern, please expect a higher usage for correct pattern fitting. Please contact Sales Support for guidance.

TECHNICAL SPECIFICATIONS

Corner

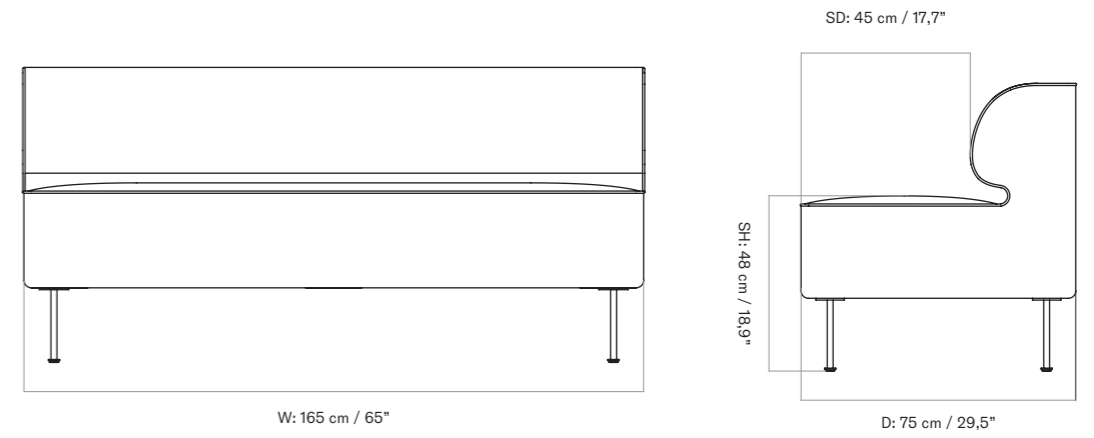


80

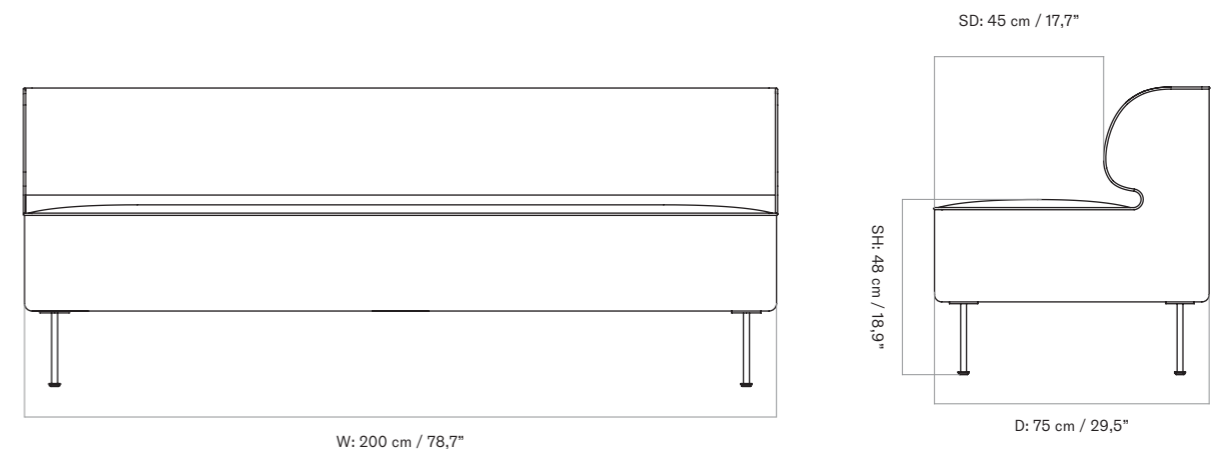


TECHNICAL SPECIFICATIONS

165



200



280

