

Audo

COPENHAGEN



HARBOUR SIDE DINING CHAIR COLLECTION
Designed by *Norm Architects*



HARBOUR SIDE DINING CHAIR, STEEL BASE, PLASTIC
Designed by *Norm Architects*

Dining chair with bare shell set on a powder coated steel base.

PRODUCT OPTIONS

Plastic shell



Powder coated steel base



TECHNICAL SPECIFICATIONS

PRODUCT TYPE
Dining chair

ENVIRONMENT
Indoor

COLLI
1

DIMENSIONS
H: 81 cm / 31,9"
SH: 48 cm / 18,8"
D: 55,5 cm / 21,9"
W: 52 cm / 20,5"

PRODUCTION PROCESS
The shell is made from injection moulded polypropylene with fibreglass. Steel base is made from bent powder coated steel tubes.

COLOUR

Shell
Black (RAL 9011)
Burned red (RAL 8015)
Khaki (RAL 1011)
Light grey (RAL 9002)
Olive (RAL 7002)
White (RAL 9016)

Steel base
Black (RAL9005)

GLOSS
Gloss 10-20

MATERIALS

Shell
85% polypropylene, 15% fibreglass

Steel base
Powder coated steel

WEIGHT
12 kg / 26,5 lb

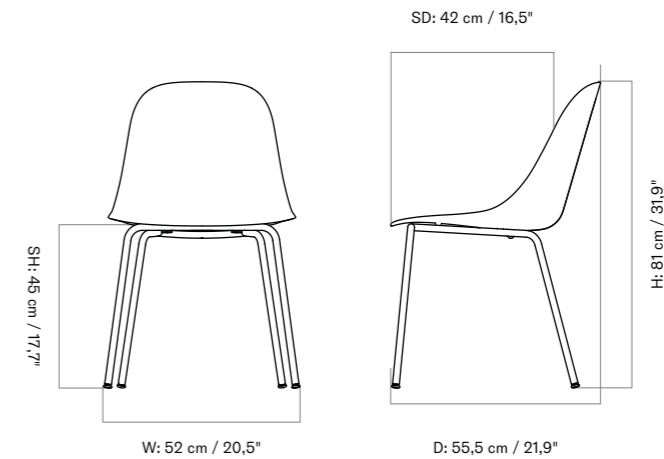
TEST
EN1022:2005, L2
EN16139:2013, L2

CERTIFICATIONS
Declare.

PACKAGING TYPE
Brown box

PACKAGING MEASUREMENTS
(H x W x D)
86 cm x 62 cm x 65 cm /
34" x 24,4" x 25,6"

MATERIALS & MAINTENANCE
Please visit audocph.com for materials, care and maintenance instructions.





HARBOUR SIDE DINING CHAIR, STEEL BASE, UPHOLSTERED
Designed by *Norm Architects*

Dining chair with upholstered shell set on a powder coated steel base. All Harbour chairs have been upgraded with extra foam in the seat for better sitting comfort, increasing from 15 mm in thickness to 25 mm.

PRODUCT OPTIONS

Shell



WITH UPHOLSTERY

Powder coated steel base



BLACK STEEL

Spec options

Available in fabrics from our upholstery programme. Standard lead times apply.

For custom upholstery, please refer to the guiding textile/leather consumption:
COM: 1,27 m / 1,397 yds
COL: 2 m² / 21,54 sqft

Prices excl. custom upholstery are equal to Price Category 1 Textile or Leather. Contact Sales support for approval of custom upholstery and to place your order.

The above textile consumption is only valid for textile rolls with a width equal to or greater than 140 cm. For smaller textile rolls, please contact Sales Support for guidance. For textile with pattern, please expect a higher usage for correct pattern fitting. Please contact Sales Support for guidance.

PRODUCT TYPE
Dining chair

ENVIRONMENT
Indoor

COLLI
1

DIMENSIONS
H: 81 cm / 31,9"
SH: 48 cm / 18,8"
D: 55,5 cm / 21,9"
W: 52 cm / 20,5"

PRODUCTION PROCESS
The shell is made from injection moulded polypropylene with fibreglass. Steel base is made from bent powder coated steel tubes.

TECHNICAL SPECIFICATIONS

COLOUR
Shell with upholstery
Dependent upon selected upholstery

Steel base
Black (RAL9005)

GLOSS
Gloss 10-20

MATERIALS
Shell
85% polypropylene, 15% fibreglass

Upholstered shell foam
CAL117 50 kg / 50N and 40 kg / 60N

Steel base
Powder coated steel

WEIGHT
12 kg / 26,5 lb

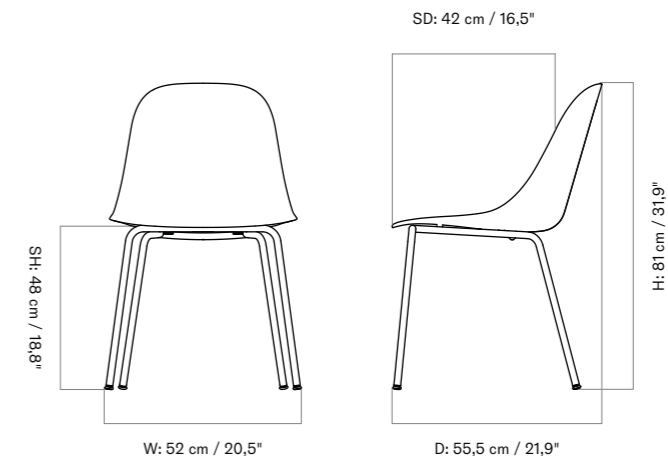
TEST
EN1022:2005, L2
EN16139:2013, L2

CERTIFICATIONS
Declare.

PACKAGING TYPE
Brown box

PACKAGING MEASUREMENTS
(H × W × D)
86 cm × 62 cm × 65 cm / 34" × 24,4" × 25,6"

MATERIALS & MAINTENANCE
Please visit audocph.com for materials, care and maintenance instructions.





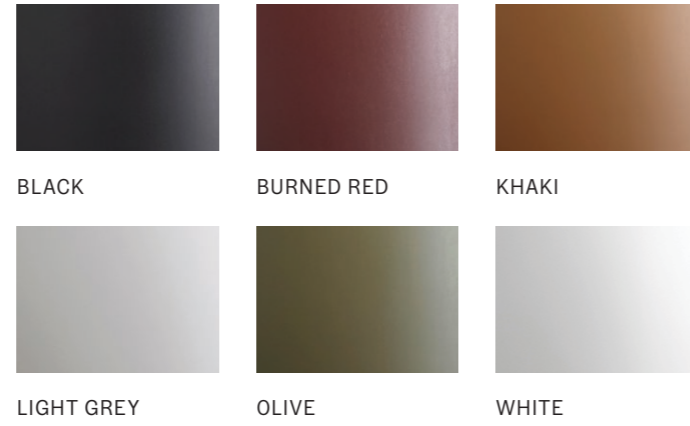
HARBOUR SIDE DINING CHAIR, OAK BASE, PLASTIC
Designed by *Norm Architects*

Dining chair with upholstered shell set on a powder coated steel base. All Harbour chairs have been upgraded with extra foam in the seat for better sitting comfort, increasing from 15 mm in thickness to 25 mm.



PRODUCT OPTIONS

Plastic shell



Solid oak base



PRODUCT TYPE
Dining chair

ENVIRONMENT
Indoor

COLLI
1

DIMENSIONS
H: 81 cm / 31,9"
SH: 48 cm / 18,8"
D: 57,5 cm / 22,6"
W: 50 cm / 19,7"

PRODUCTION PROCESS
The shell is made from injection moulded polypropylene with fibreglass. Wood base is made of CNC-cut and turned oak parts.

TECHNICAL SPECIFICATIONS

COLOUR

Shell
Black (RAL 9011)
Burned red (RAL 8015)
Khaki (RAL 1011)
Light grey (RAL 9002)
Olive (RAL 7002)
White (RAL 9016)

Oak base
Natural oak
Dark stained oak
Black oak

GLOSS
Gloss 10-20

MATERIALS

Shell
85% polypropylene, 15% fibreglass

Oak base
Solid oak with matte lacquer, dark stained oak or black painted oak

WEIGHT
11 kg / 24,3lb

TEST
EN1022:2005, L2
EN16139:2013, L2

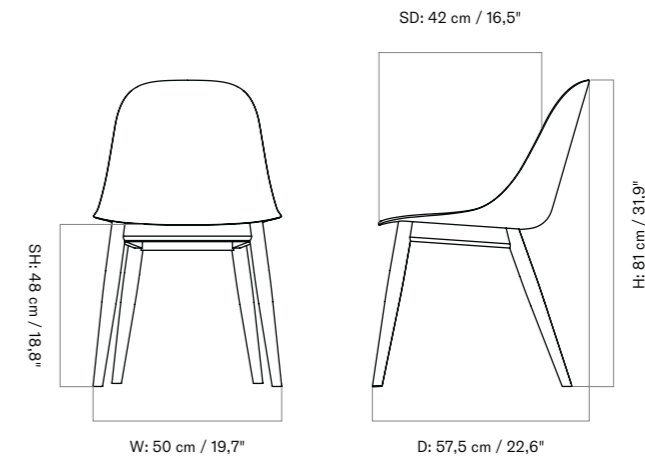
CERTIFICATIONS
Crafted from FSC certified oak

Declare.

PACKAGING TYPE
Brown box

PACKAGING MEASUREMENTS
(H x W x D)
86 cm x 62 cm x 65 cm /
34" x 24,4" x 25,6"

MATERIALS & MAINTENANCE
Please visit audocph.com for materials, care and maintenance instructions.





HARBOUR SIDE DINING CHAIR, OAK BASE, UPHOLSTERED
Designed by *Norm Architects*

Dining chair with upholstered shell set on a solid oak base. All Harbour chairs have been upgraded with extra foam in the seat for better sitting comfort, increasing from 15 mm in thickness to 25 mm.

PRODUCT OPTIONS

Shell



WITH UPHOLSTERY

Solid oak base



NATURAL OAK



DARK STAINED OAK



BLACK OAK

Spec options

Available in fabrics from our upholstery programme. Standard lead times apply.

For custom upholstery, please refer to the guiding textile/leather consumption:
COM: 1,27 m / 1,397 yds
COL: 2 m² / 21,54 sqft

Prices excl. custom upholstery are equal to Price Category 1 Textile or Leather. Contact Sales support for approval of custom upholstery and to place your order.

The above textile consumption is only valid for textile rolls with a width equal to or greater than 140 cm. For smaller textile rolls, please contact Sales Support for guidance. For textile with pattern, please expect a higher usage for correct pattern fitting. Please contact Sales Support for guidance.



TECHNICAL SPECIFICATIONS

PRODUCT TYPE
Dining chair

ENVIRONMENT
Indoor

COLLI
1

DIMENSIONS
H: 81 cm / 31,9"
SH: 48 cm / 18,8"
D: 57,5 cm / 22,6"
W: 50 cm / 19,7"

PRODUCTION PROCESS
The shell is made from injection moulded polypropylene with fibreglass. Wood base is made of CNC-cut and turned oak parts.

COLOUR

Shell with upholstery
Dependent upon selected upholstery

Oak base
Natural oak
Dark stained oak
Black oak

GLOSS
Gloss 10-20

MATERIALS

Shell
85% polypropylene, 15% fibreglass

Upholstered shell foam
CAL117 50 kg / 50N and 40 kg / 60N

Oak base
Solid oak with matte lacquer, dark stained oak or black painted oak

WEIGHT
11 kg / 24,3lb

TEST
EN1022:2005, L2
EN16139:2013, L2

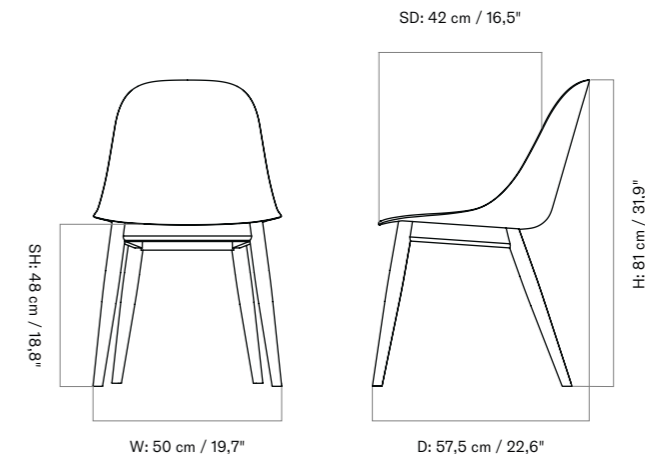
CERTIFICATIONS
Crafted from FSC certified oak

Declare.

PACKAGING TYPE
Brown box

PACKAGING MEASUREMENTS
(H x W x D)
86 cm x 62 cm x 65 cm / 34" x 24,4" x 25,6"

MATERIALS & MAINTENANCE
Please visit audocph.com for materials, care and maintenance instructions.





HARBOUR SIDE DINING CHAIR, STAR BASE W/SWIVEL, PLASTIC
Designed by *Norm Architects*

Dining chair with upholstered shell set on a solid oak base. All Harbour chairs have been upgraded with extra foam in the seat for better sitting comfort, increasing from 15 mm in thickness to 25 mm.



PRODUCT OPTIONS

Plastic shell



Star base



TECHNICAL SPECIFICATIONS

PRODUCT TYPE
Dining chair

COLLI
1

ENVIRONMENT
Indoor

DIMENSIONS
H: 81 cm / 31,5"
SH: 48 cm / 18,8"
D: 54,5 cm / 21,5"
W: 50 cm / 19,7"

PRODUCTION PROCESS
The shell is made using injection moulded polypropylene with fibreglass. The star base is die-cast aluminium and the column is made of extruded aluminium.

All new Harbour Dining Chairs with a swivel base or swivel with return have been upgraded with QuickClick gliders, as used on all other chairs in our collection.

The chairs are delivered with the plastic gliders attached and come with a bag of supplementary felt castors that allow you to easily switch from plastic to felt.

COLOUR

Shell
Black (RAL 9011)
Burned red (RAL 8015)
Khaki (RAL 1011)
Light grey (RAL 9002)
Olive (RAL 7002)
White (RAL 9016)

Base
Black (RAL 9005)
Polished aluminium

GLOSS
Gloss 10-20

MATERIALS

Shell
85% polypropylene, 15% fibreglass

Base
Cast, extruded aluminium

WEIGHT
13 kg / 28,7 lb

TEST
EN 1022:2005, L2
EN 1639:2013, L2

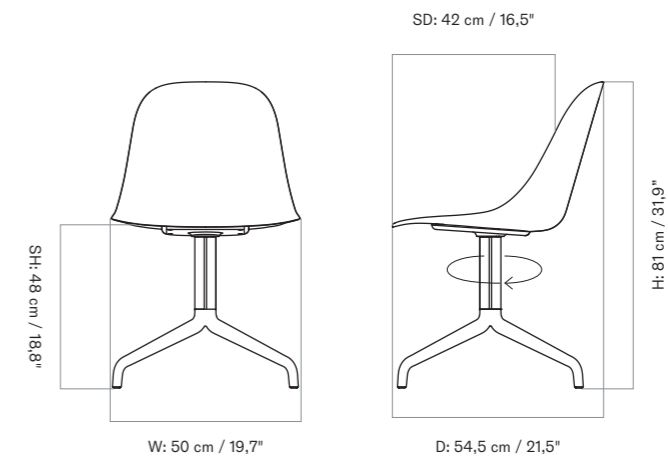
CERTIFICATIONS

Declare.

PACKAGING TYPE
Brown box

PACKAGING MEASUREMENTS
(H × W × D)
86 cm × 65 cm × 65 cm / 34" × 25,6" × 25,6"

MATERIALS & MAINTENANCE
Please visit audocph.com for materials, care and maintenance instructions.





HARBOUR SIDE DINING CHAIR, STAR BASE W/SWIVEL, UPHOLSTERED
Designed by *Norm Architects*

Dining chair with upholstered shell set on a polished aluminium or black powder coated aluminium star base with swivel. All Harbour chairs have been upgraded with extra foam in the seat for better sitting comfort, increasing from 15 mm in thickness to 25 mm.



PRODUCT OPTIONS

Shell



WITH UPHOLSTERY

Star base



BLACK POWDER
COATED ALUMINIUM



POLISHED ALUMINIUM

Spec options

Available in fabrics from our upholstery programme. Standard lead times apply.

For custom upholstery, please refer to the guiding textile/leather consumption:
COM: 1,27 m / 1,397 yds
COL: 2 m² / 21,54 sqft

Prices excl. custom upholstery are equal to Price Category 1 Textile or Leather. Contact Sales support for approval of custom upholstery and to place your order.

The above textile consumption is only valid for textile rolls with a width equal to or greater than 140 cm. For smaller textile rolls, please contact Sales Support for guidance. For textile with pattern, please expect a higher usage for correct pattern fitting. Please contact Sales Support for guidance.

PRODUCT TYPE
Dining chair

COLLI
1

ENVIRONMENT
Indoor

DIMENSIONS
H: 81 cm / 31,5"
SH: 48 cm / 18,8"
D: 54,5 cm / 21,5"
W: 50 cm / 19,7"

PRODUCTION PROCESS
The shell is made using injection moulded polypropylene with fibreglass. The star base is die-cast aluminium and the column is made of extruded aluminium.

All new Harbour Dining Chairs with a swivel base or swivel with return have been upgraded with QuickClick gliders, as used on all other chairs in our collection.

The chairs are delivered with the plastic gliders attached and come with a bag of supplementary felt castors that allow you to easily switch from plastic to felt.

TECHNICAL SPECIFICATIONS

COLOUR
Shell with upholstery
Dependent upon selected upholstery

Base
Black (RAL 9005)
Polished aluminium

GLOSS
Gloss 10-20

MATERIALS
Shell
85% polypropylene, 15% fibreglass

Upholstered shell foam
CAL117 50 kg / 50N and 40 kg / 60N

Base
Cast, extruded aluminium

WEIGHT
13 kg / 28,7 lb

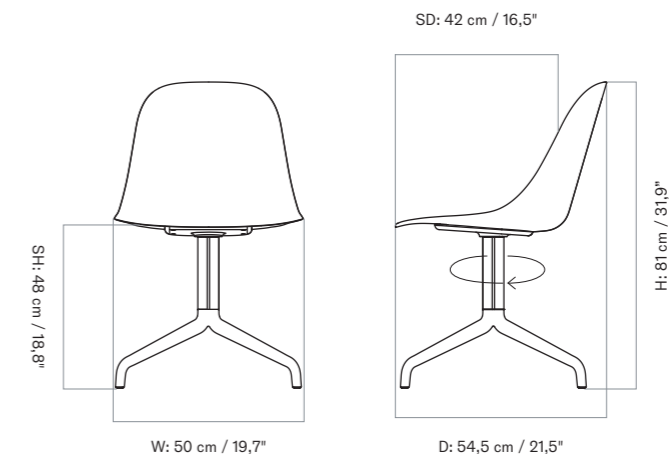
TEST
EN 1022:2005, L2
EN 1639:2013, L2

CERTIFICATIONS
Declare.

PACKAGING TYPE
Brown box

PACKAGING MEASUREMENTS
(H × W × D)
86 cm × 65 cm × 65 cm /
34" × 25,6" × 25,6"

MATERIALS & MAINTENANCE
Please visit audocph.com for materials, care and maintenance instructions.





HARBOUR SIDE DINING CHAIR, STAR BASE, SWIVEL W/RETURN, PLASTIC
Designed by *Norm Architects*

Dining chair with upholstered shell set on a polished aluminium or black powder coated aluminium star base with swivel. All Harbour chairs have been upgraded with extra foam in the seat for better sitting comfort, increasing from 15 mm in thickness to 25 mm.



PRODUCT OPTIONS

Plastic shell



Star base



TECHNICAL SPECIFICATIONS

PRODUCT TYPE
Dining chair

COLLI
1

ENVIRONMENT
Indoor

DIMENSIONS
H: 81 cm / 31,5"
SH: 48 cm / 18,8"
D: 54,5 cm / 21,5"
W: 50 cm / 19,7"

PRODUCTION PROCESS
The shell is made using injection moulded polypropylene with fibreglass. The star base is die-cast aluminium and the column is made of extruded aluminium.

All new Harbour Dining Chairs with a swivel base or swivel with return have been upgraded with QuickClick gliders, as used on all other chairs in our collection.

The chairs are delivered with the plastic gliders attached and come with a bag of supplementary felt castors that allow you to easily switch from plastic to felt.

COLOUR

Shell
Black (RAL 9011)
Burned red (RAL 8015)
Khaki (RAL 1011)
Light grey (RAL 9002)
Olive (RAL 7002)
White (RAL 9016)

Base
Black (RAL 9005)
Polished aluminium

GLOSS
Gloss 10-20

MATERIALS

Shell
85% polypropylene, 15% fibreglass

Base
Cast, extruded aluminium

WEIGHT
13 kg / 28,7 lb

TEST
EN 1022:2005, L2
EN 1639:2013, L2

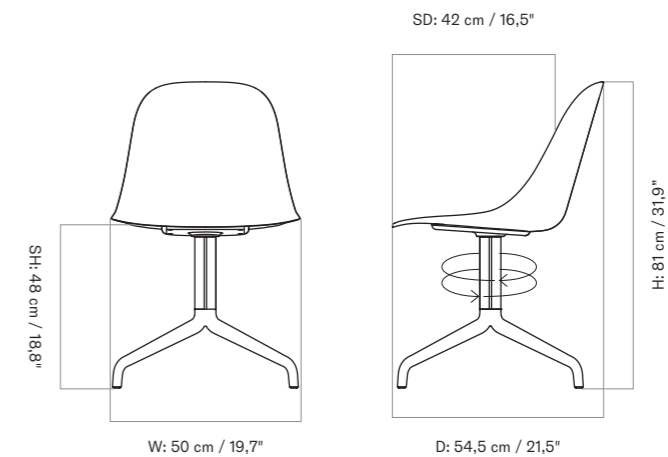
CERTIFICATIONS

Declare.

PACKAGING TYPE
Brown box

PACKAGING MEASUREMENTS
(H × W × D)
86 cm × 65 cm × 65 cm /
34" × 25,6" × 25,6"

MATERIALS & MAINTENANCE
Please visit audocph.com for materials, care and maintenance instructions.





HARBOUR SIDE DINING CHAIR, STAR BASE, SWIVEL W/RETURN, UPH.
Designed by *Norm Architects*

Dining chair with upholstered shell set on a polished aluminium or black powder coated aluminium star base with return swivel.
All Harbour chairs have been upgraded with extra foam in the seat for better sitting comfort, increasing from 15 mm in thickness to 25 mm.



PRODUCT OPTIONS

Shell



WITH UPHOLSTERY

Star base



BLACK POWDER
COATED ALUMINIUM



POLISHED ALUMINIUM

Spec options

Available in fabrics from our upholstery programme.
Standard lead times apply.

For custom upholstery, please refer to the guiding
textile/leather consumption:
COM: 1,27 m / 1,397 yds
COL: 2 m² / 21,54 sqft

Prices excl. custom upholstery are equal to Price Category 1
Textile or Leather. Contact Sales support for approval of custom
upholstery and to place your order.

The above textile consumption is only valid for textile rolls with a width equal to
or greater than 140 cm. For smaller textile rolls, please contact Sales Support for
guidance. For textile with pattern, please expect a higher usage for correct pattern
fitting. Please contact Sales Support for guidance.

PRODUCT TYPE
Dining chair

COLLI
1

ENVIRONMENT
Indoor

DIMENSIONS
H: 81 cm / 31,5"
SH: 48 cm / 18,8"
D: 54,5 cm / 21,5"
W: 50 cm / 19,7"

PRODUCTION PROCESS
The shell is made using injection moulded
polypropylene with fibreglass. The star
base is
die-cast aluminium and the column is made
of extruded aluminium.

All new Harbour Dining Chairs with a
swivel base or swivel with return have been
upgraded with QuickClick gliders, as used
on all other chairs in our collection.

The chairs are delivered with the plastic
gliders attached and come with a bag of
supplementary felt castors that allow you to
easily switch from plastic to felt.

TECHNICAL SPECIFICATIONS

COLOUR

Shell with upholstery
Dependent upon selected upholstery

Base
Black (RAL 9005)
Polished aluminium

GLOSS
Gloss 10-20

MATERIALS

Shell
85% polypropylene, 15% fibreglass

Upholstered shell foam
CAL117 50 kg / 50N and 40 kg / 60N

Base
Cast, extruded aluminium

WEIGHT
13 kg / 28,7 lb

TEST
EN 1022:2005, L2
EN 1639:2013, L2

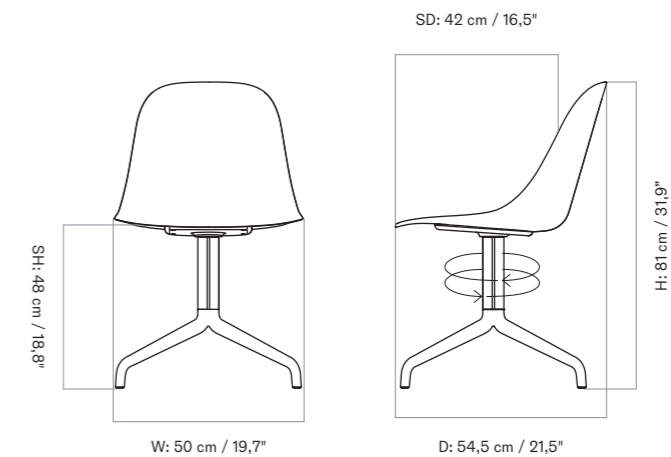
CERTIFICATIONS

Declare.

PACKAGING TYPE
Brown box

PACKAGING MEASUREMENTS
(H × W × D)
86 cm × 65 cm × 65 cm / 34" × 25,6" × 25,6"

MATERIALS & MAINTENANCE
Please visit audocph.com for materials, care
and maintenance instructions.





HARBOUR SIDE DINING CHAIR, STAR BASE, W/CASTERS, PLASTIC
Designed by *Norm Architects*

Dining chair with bare shell set on a polished aluminium or black powder coated aluminium star base with casters.

PRODUCT OPTIONS

Plastic shell



BLACK

BURNED RED

KHAKI



LIGHT GREY

OLIVE

WHITE

Star base with casters



BLACK POWDER
COATED ALUMINIUM



POLISHED ALUMINIUM



TECHNICAL SPECIFICATIONS

PRODUCT TYPE
Dining chair

COLLI
1

ENVIRONMENT
Indoor

DIMENSIONS
H: 81 cm / 31,5"
SH: 48 cm / 18,8"
D: 55,5 cm / 21,9"
W: 50 cm / 19,7"

PRODUCTION PROCESS
The shell is made using injection moulded polypropylene with fibreglass. The star base is die-cast aluminium and the column is made of extruded aluminium.

COLOUR

Shell without upholstery
Black (RAL 9011)
Burned red (RAL 8015)
Khaki (RAL 1011)
Light grey (RAL 9002)
Olive (RAL 7002)
White (RAL 9016)

Base
Black (RAL 9005)
Polished aluminium

GLOSS
Gloss 10-20

MATERIALS

Shell
85% polypropylene, 15% fibreglass

Base
Cast, extruded aluminium.

Casters for powder coated base
PA6, PUR

Casters for polished aluminium base
Aluminium, PA6, PUR

WEIGHT
14 kg / 30,9 lb

TEST
N / A

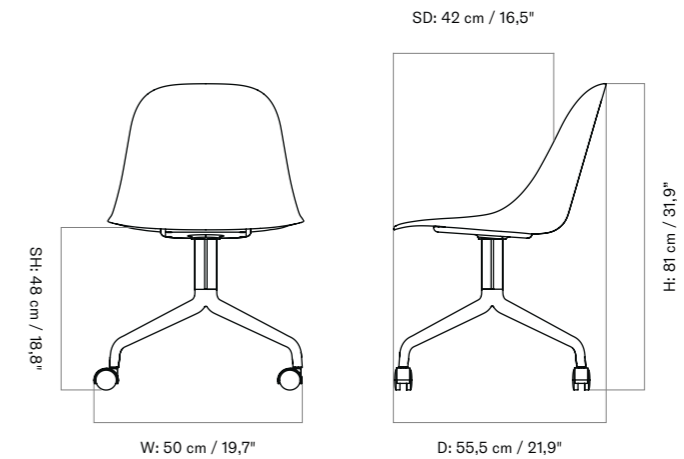
CERTIFICATIONS

Declare.

PACKAGING TYPE
Brown box

PACKAGING MEASUREMENTS
(H x W x D)
86 cm x 65 cm x 65 cm /
34" x 25,6" x 25,6"

MATERIALS & MAINTENANCE
Please visit audocph.com for materials, care and maintenance instructions.





HARBOUR SIDE DINING CHAIR, STAR BASE, W/CASTERS, UPHOLSTERED
Designed by *Norm Architects*

Dining chair with upholstered shell set on a polished aluminium or black powder coated aluminium star base with casters. All Harbour chairs have been upgraded with extra foam in the seat for better sitting comfort, increasing from 15 mm in thickness to 25 mm.



PRODUCT OPTIONS

Shell



WITH UPHOLSTERY

Star base



BLACK POWDER
COATED ALUMINIUM



POLISHED ALUMINIUM

Spec options

Available in fabrics from our upholstery programme. Standard lead times apply.

For custom upholstery, please refer to the guiding textile/leather consumption:
COM: 1,27 m / 1,397 yds
COL: 2 m² / 21,54 sqft

Prices excl. custom upholstery are equal to Price Category 1 Textile or Leather. Contact Sales support for approval of custom upholstery and to place your order.

The above textile consumption is only valid for textile rolls with a width equal to or greater than 140 cm. For smaller textile rolls, please contact Sales Support for guidance. For textile with pattern, please expect a higher usage for correct pattern fitting. Please contact Sales Support for guidance.

TECHNICAL SPECIFICATIONS

PRODUCT TYPE
Dining chair

COLLI
1

ENVIRONMENT
Indoor

DIMENSIONS
H: 81 cm / 31,5"
SH: 48 cm / 18,8"
D: 55,5 cm / 21,9"
W: 50 cm / 19,7"

PRODUCTION PROCESS
The shell is made using injection moulded polypropylene with fibreglass. The star base is die-cast aluminium and the column is made of extruded aluminium.

COLOUR

Shell with upholstery
Dependent upon selected upholstery

Base
Black (RAL 9005)
Polished aluminium

GLOSS
Gloss 10-20

MATERIALS

Shell
85% polypropylene, 15% fibreglass

Upholstered shell foam
CAL117 50 kg / 50N and 40 kg / 60N

Base
Cast, extruded aluminium.

Casters for powder coated base
PA6, PUR

Casters for polished aluminium base
Aluminium, PA6, PUR

WEIGHT
14 kg / 30,9 lb

TEST
N / A

CERTIFICATIONS

Declare.

PACKAGING TYPE
Brown box

PACKAGING MEASUREMENTS
(H x W x D)
86 cm x 65 cm x 65 cm /
34" x 25,6" x 25,6"

MATERIALS & MAINTENANCE
Please visit audocph.com for materials, care and maintenance instructions.

