

Erica

ARMCHAIRS

2017

Antonio Citterio



Description

The Erica outdoor armchair, available in two sizes – one wider and deeper for more informal relaxation – features a technological blend of extruded and die-cast aluminium. Its lightness and design, ensuring ergonomic comfort and durability for outdoor use, make it the ideal choice for both public and residential settings. The seat and back cushions are a guarantee of comfort and relaxation. The frames are available in different finishes, combined with a polypropylene fibre interlacing and a high-strength internal core especially designed for outdoor use. Erica is a complete series of seating elements inclusive of sofas and chairs.

Technical information

Frame

die-cast aluminium and extrusions with polyester powder painting

Back upholstery

shaped polyurethane of different density, Solotex fibre and visco-elastic polyurethane combination, cover in water repellent polyester fibre

Seat upholstery

shaped polyurethane, cover in water repellent polyester fibre (with heat-sealed ribbon)

Interlacing

polypropylene fibre braid

Seat webbing

polypropylene fibre and synthetic rubber threads

Ferrules

thermoplastic material

Waterproof cover cloth

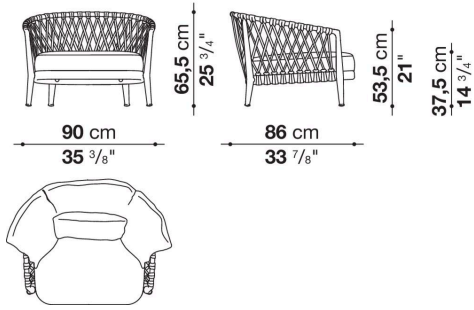
PES fabric coated on one side in PU

Cover

fabric in limited categories

Technical drawings

E90P



E80P

