

# CH327

## HANS J. WEGNER



CARL HANSEN & SØN

### DESCRIPTION

Hans J. Wegner's CH327 6-person dining table from 1962 has an unusual design where the tabletop appears almost to be floating. It has a solid wood tabletop with softened edges and rounded legs that become narrower towards the floor. The elegant table is suitable as a dining table, a meeting table or a desk.

### DESIGNER

Danish architect Hans J. Wegner (1914–2007) is considered a pioneering furniture designer of the twentieth century. Often referred to as the master of the chair, Wegner created almost 500 in his lifetime – many of them considered masterpieces. Wegner was part of the spectacular generation that created what is today referred to as 'the Golden Age' of modern Danish design.

### PREASSEMBLED

No

### DIMENSIONS

190 cm: W: 190 x D: 95 x H: 72 cm

248 cm: W: 248 x D: 95 x H: 72 cm

Leaf: W: 40 x D: 95 cm

### WEIGHT

190 cm: 42.8 kg

### PACKAGING

- No. of boxes: 1
- Box (190 cm) H: 206.5 x W: 107 x L: 17 cm
- Gross weight: 54.1 kg

### CERTIFICATIONS & TESTS

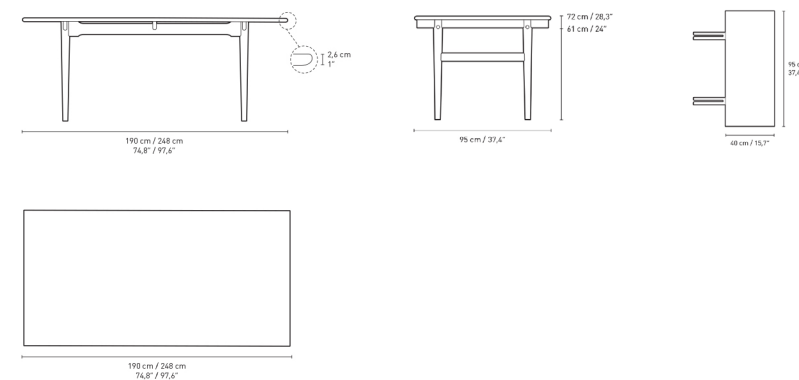
- FSC™-certified oak (FSC C135991)



### MATERIALS (FRAME)



### PRODUCT DIMENSIONS



### MATERIALS (LEAVES)

