



BY APPOINTMENT TO
THE ROYAL DANISH COURT

CARL HANSEN & SØN

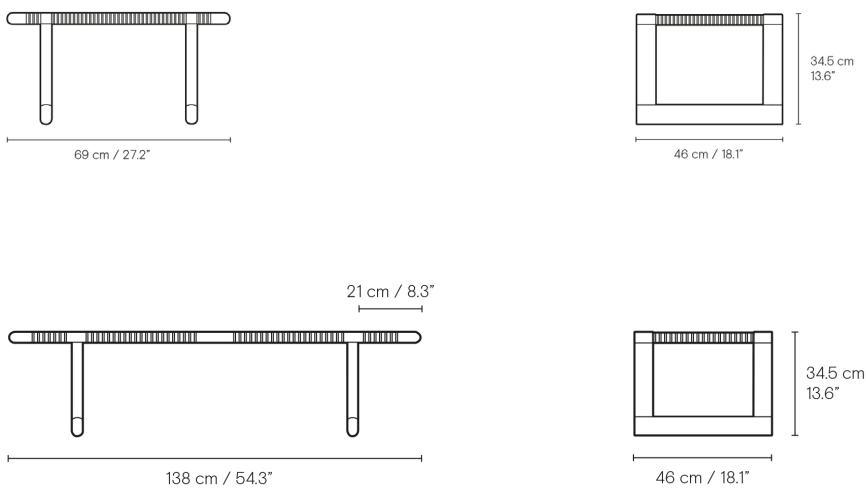


PRODUCT SHEET

BMO489 TABLE BENCH

The BMO489 Table Bench is, with its woven paper cord seat, a new interpretation of Børge Mogensen’s minimalist Table Bench from 1958. The design is characterised by its understated elegance, where the solid oak is softened by rounded edges and woven paper cord in a basket weave pattern. It takes an experienced craftsman six hours to weave the 335 metres of paper cord using a double-plane weaving technique to create a finished Table Bench. The BMO489 Table Bench comes in two sizes, both versatile pieces of furniture that work in a hallway, at the foot of a bed or as a sofa or side table in the living room.



SPECIFICATIONS



Packaging dimensions and weight	Height	Width	Length	Cbm	Net.	Tara	Gross	Cartons
BMO489S	415 mm	495 mm	1420 mm	0.15	7.5 kg	3.5 kg	11 kg	1/1
BMO489L	415 mm	495 mm	715 mm	0.29	5.9 kg	1.7 kg	7.6 kg	1/1

Certifications	Preassembled	Quick ship
FSC®-certified oak and paper cord (FSC-C135991)	Yes	Yes

MATERIALS

- Frame:  Oak oil
- Weave:  Paper cord, natural