

FRITZ HANSEN



N02™ RECYCLE
PRODUCT FACT SHEET

N02™ RECYCLE

The N02™ Recycle is a multi-use chair made from upcycled plastic household waste that can be recycled again. A crease in the chair's back is inspired by a folded piece of paper on the designer's studio table and provides extra support for the upper and lower back. Seven colour options are inspired by Scandinavian nature and, along with multiple base options, make N02 Recycle particularly applicable for work, meeting and dining arrangements.

PRODUCT TYPE

Chair / Armchair

ENVIRONMENT

Indoor

DESIGNER/ YEAR OF DESIGN

nendo, 2019

DESIGNER

Oki Sato - founder of nendo design studio was born in Toronto, Canada and later moved to Tokyo, where he took a M.A. in Architecture at Waseda University. In 2002, he founded the Nendo studio and today Nendo have their name on both architectural projects as well as grand furniture designs worldwide. For their work, Nendo has been awarded with Dezeen, Wallpaper and Red Rot Design Awards among many more throughout the studio's lifetime.

MODELS

- N02-10: Chair w. tube legs (stackable)
- N02-11: Armchair w. tube legs (stackable)
- N02-20: Chair w. sledge base (stackable)
- N02-21: Chair w. sledge base (stackable)
- N02-30: Chair w. swivel base and castors
- N02-31: Armchair w. swivel base and castors
- N02-40: Counter stool (stackable)
- N02-50: Bar stool (stackable)

MATERIAL

Shell: The shell is made of 100% recycled plastic and is 100% recyclable.

Bases: The tube legs comes in powder coated or chromed steel w. black plastic gliders. The sledge base is available in chromed steel w. black plastic gliders. The swivel base is made in polished aluminium w. black plastic castors.

The chair has not been treated with any biocidal products.

Materials in %:

- N02-10: PP 45%, Steel 55%, TPE <1%, PA <1%
- N02-11: PP 51%, Steel 49%, TPE <1%, Alum. <1%
- N02-20: PP 45%, Steel 55%, TPE <1%, PA <1%
- N02-21: PP 45%, Steel 55%, TPE <1%, PA <1%
- N02-30: PP 41%, Steel 39%, TPE <1%, Alum. 16%, PA <4%
- N02-31: PP 37%, Steel 46%, TPE <1%, Alum. 14%, PA <3%
- N02-40: PP 42%, Steel 58%, TPE<1%, PA<1%
- N02-50: PP 41%, Steel 59%, TPE<1%, PA<1%

FEATURES

- Linking device for N02-20
- Trolley for 10 pcs. N02-10, N02-11, N02-20 or N02-21 chairs
- N02-70 Seat cushion:



LIGHT GREY TEXTILE JUST 60118
 DARK GREY TEXTILE JUST 60118
 BLACK TEXTILE JUST 60118

COLOURS

The shell and powder coated legs are available in 7 colours:



DARK ORANGE 575
 DARK RED 675
 DARK BLUE 875
 LIGHT BLUE 815
 GREY 175
 BLACK 215
 OFF WHITE 115

PRODUCTION PROCESS

Plastic: The seat shell and arm pads are made of 100% recycled/recyclable Polypropylene (PP). Larger plastic components are identified with a recycling code to secure a correct sorting for recycling.

Metals: Bases in steel are either high gloss chromed or powder coated. Aluminium bases are polished aluminium. Steel (powder coated and chromed) contains app. 50% recycled material and aluminium contains app. 95% recycled material. Production scrap is collected for recycling.

Seat cushion: Made with HR foam and upholstered with Just fabric made of 98% post-consumer recycled polyester. The fabric Just is certified with Standard 100 by OEKO-TEX® and the EU Ecolabel.

MADE-TO-ORDER

Non-standard configurations (special colours, upholstery etc.) are available upon request at a minimum order quantity.

TEST & CERTIFICATION

The N02™ Recycle chair is intended for daily use by persons up to 110 kg and occasional use by heavier persons.

All the N02™ Recycle chair models can be obtained with the EU Ecolabel certification (The Flower). The EU Ecolabel has strict requirements for the environmental impact from raw materials to production of the chair to disposal and recycling.

All EU Ecolabel certified N02™ Recycle chairs, has powder coated steel parts. No chrome is present at any certified chairs.

The chair fulfills EN 16139 L1 General Contract Use for strength, durability, stability and safety and EN 1022 for stability.

N02™ Recycle is GreenGuard Gold certified.

For more information about environment and manufacturing processes, please visit fritzhanzen.com and download our environmental information sheet.

WEIGHT

N02-10: 5,8 kg
N02-11: 6,4 kg
N02-20: 7,2 kg
N02-21: 7,2 kg
N02-30: 7,7 kg
N02-31: 8,8 kg
N02-40: 7,5 kg
N02-50: 7,8 kg

COUNTRY OF ORIGIN

Poland

PREASSEMBLED

Yes

PACKAGING

Recycled cardboard box and genuine foam. All packaging materials can be recycled.

CLEANING AND CARE

Plastic and powder coated surfaces: Clean the plastic shell by wiping it with a dry cloth. Dirt can be removed with a cloth wrung out in lukewarm water. If this does not remove the dirt, a mild solution containing a universal cleaning agent or dishwashing liquid may be used. Then dry off the shell with a cloth wrung out in clean water and finish by wiping with a dry cloth.

Chromed surfaces: Chrome can be wiped with a dry or damp cloth wrung in soapy water, and then wiped with a dry cloth afterwards.

Note: Do not use solvents on coated frames. For thorough cleaning chrome surfaces can be wiped with a cloth moistened with alcohol.

REPAIR, DISPOSAL AND REUSE

In the case of disposal the chair can be disassembled into different parts for recycling, special handling and repair. Wheels and columns requires special handling because of embedded metal.

WARRANTY

Fritz Hansen provides a five-year warranty on standard products against defects in materials and workmanship.

An extended warranty of up to twenty years is provided on selected products provided they have been registered online on FRITZHANSEN.COM/MY-FH.

Standard (5 years):

Height-adjustable, Swivel, Castors, Powder coated base

Extended (10 years):

Chrome base, Shell

No warranty is provided on products with customer's choice of leather, fabrics or materials ordered as special materials.

SPARE PARTS

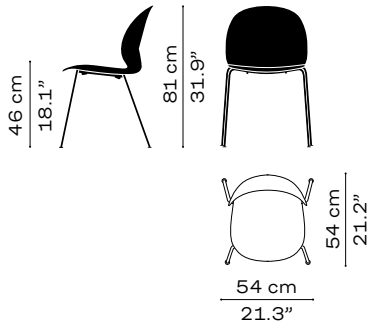
Inquiries regarding spare parts must be sent to salesupport@fritzhanzen.com.

Spare parts for N02™ Recycle are available in minimum 5 years after purchase.

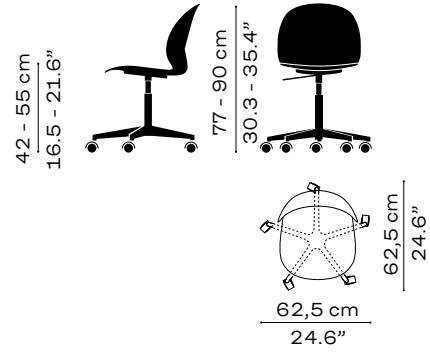
Explore more at FRITZHANSEN.COM.

DIMENSIONS

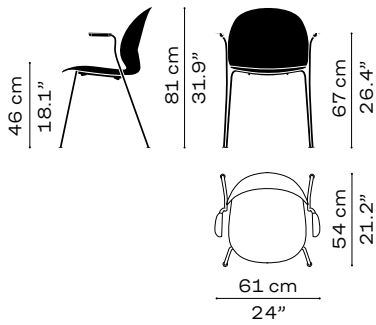
N02-10:



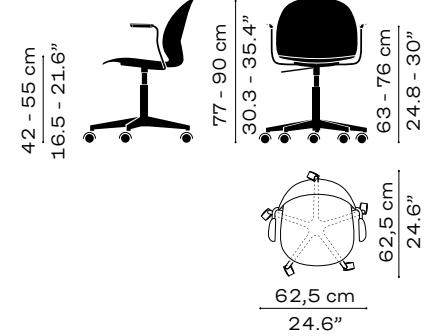
N02-30:



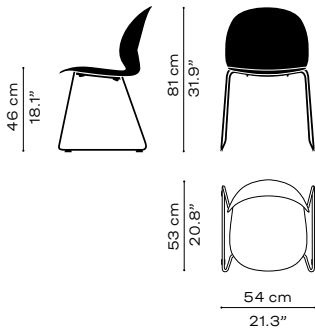
N02-11:



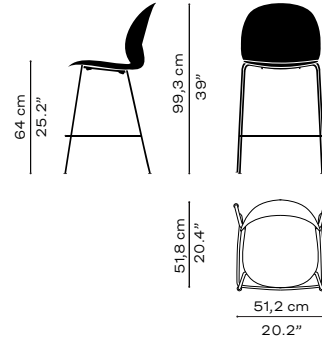
N02-31:



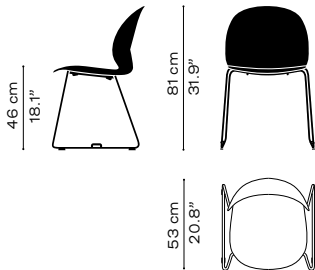
N02-20:



N02-40:



N02-21:



N02-50:

