

FRITZ HANSEN



PK4™

PRODUCT FACT SHEET

PK4™

Designed in 1952, the striking PK4™ is a modern, relaxed lounge chair that consists of two materials - one unbroken halyard length and seven steel tubing pieces welded into a unified frame. Radiating Poul Kjærholm's distinctive elegance through a light, minimalistic expression in steel and flag halyard, it perfectly exemplifies Kjærholm's visionary approach where art and design intersect.

PRODUCT TYPE

Lounge chair

ENVIRONMENT

Indoor

DESIGNER / YEAR OF DESIGN

Poul Kjærholm, 1952

ABOUT THE DESIGNER

Poul Kjærholm was a trained cabinet maker and continued his studies at the Danish School of Arts and Crafts in Copenhagen. He had a particular interest in different construction materials, especially steel, which he considered a natural material with the same artistic fineness as other natural materials. Poul Kjærholm was first employed at Fritz Hansen for about a year, where he designed a number of noteworthy chair prototypes. In 1955, Poul Kjærholm initiated his collaboration with manufacturer Ejvind Kold Christensen, which lasted until Kjærholm's death in 1980. In 1982, Fritz Hansen took over the manufacture and sales of "The Kjærholm Collection", which was developed over the period 1951 to 1967.

MODELS

PK4

PK4ST (PK4 incl. seat cushion)

MATERIAL

The frame of the PK4™ lounge chair is made of seven stainless steel tubing pieces. A long length of flag halyard wound around the seat and back of the curved steel frame forms the chair. The halyard is made from linen casing weaved around a nylon core.

Materials in %:

Steel: 85%

Flag halyard: 15%

FEATURES

- Felt glides

VARIANTS

The frame is available in two colours:

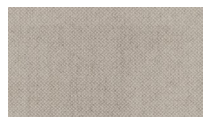


BRUSHED
STAINLESS STEEL

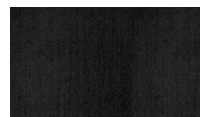


POWDER COATED
STAINLESS STEEL,
BLACK

The flag halyard is available in two colours:



NATURAL HALYARD



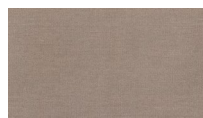
BLACK HALYARD

The PK4™ chair is available in three configurations:

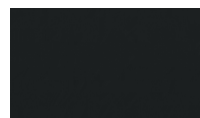
- Black powder coated stainless steel with natural halyard
- Brushed stainless steel with natural halyard
- Brushed stainless steel with black halyard

UPHOLSTERY OPTIONS

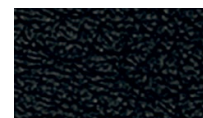
The seat cushion is available in three variants:



CANVAS,
NATURAL



CANVAS,
BLACK



GRACE LEATHER,
BLACK

MADE-TO-ORDER

N/A

PRODUCTION PROCESS

Frame: Made from four tubes and three rod, all from stainless steel. Tube ends are fitted with a turned end cap in solid stainless steel. Tubes are bended to shape and the entire frame is welded together.

Seat: 66 m of line is used - and wound by hand.

WEIGHT

8,75 kg / 19.5 lb

COUNTRY OF ORIGIN

Poland

PRE-ASSEMBLED

Yes

PACKAGING

PE foam and cardboard are used as protection on the frame. The chair is covered with a plastic bag and shipped in cardboard. All packaging material can be recycled.

CLEANING AND CARE

Find recommendations for cleaning and care at:
[fritzhanzen.com/maintenance](https://www.fritzhanzen.com/maintenance)

REPAIR, DISPOSAL AND REUSE

In case of repair and disposal the chair can be disassembled into parts. All parts can be recycled. Check local regulations for recycling options and whether there is potential for reuse.

WARRANTY

Fritz Hansen provides a standard 20-year warranty on standard products within the Poul Kjærholm collection; except for PK0 A™ and PK60™ which is 10 years and wicker which is 2 years.

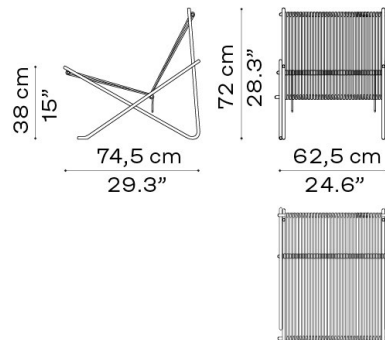
Additional warranty conditions can be found at:
[fritzhanzen.com/warranty](https://www.fritzhanzen.com/warranty)

SPARE PARTS

A range of spare parts can be found on:
[fritzhanzen.com/en/Categories/Products/Spareparts](https://www.fritzhanzen.com/en/Categories/Products/Spareparts)

DIMENSIONS

PK4

**SEAT CUSHION**