

# FRITZ HANSEN



TRADITION  
PRODUCT FACT SHEET

# TRADITION

Tradition is a modular lounge series in teak that brings refined sophistication to outdoor spaces. With the versatility to fit any lounging style preference, Tradition's elegance and comfort are an invitation to unwind.

## PRODUCT TYPE

Sofa  
Lounge chair  
Table

## ENVIRONMENT

Outdoor

## DESIGNER

Povl B. Eskildsen

## MODELS

**Sofa units:**  
Corner Module  
End Module  
Spacer Module  
Lounge Chair  
Pouf

### Table units:

Lounge Table (H27)  
Lounge Table (H40)

## MATERIAL

Wood: Teak (Untreated)

Cushions: Outdoor textile, Quickdry outdoor foam\* Not in UK

## UPHOLSTERY

Tradition is available in the following selection of textiles:



\*Available in all markets excl. UK

## MADE-TO-ORDER

N/A

## CERTIFICATION

- FSC™ FSC-C120451: The wood used for Tradition is FSC-certified (FSC 100%). The FSC-certification ensures the wood is from responsible and environmentally managed forests that preserve the natural surroundings and support the local community.

For more information about environment and manufacturing processes, please download our environmental information sheet at: [fritzhanzen.com](http://fritzhanzen.com)

## TEST

### Sofa units:

- EN 581-1: General Safety Requirements for outdoor furniture - Contract level
- EN 581-2: Mechanical Safety Requirements for outdoor seating furniture - Contract level
- BIFMA X5.4-2020: Public and Lounge Seating

### Table units:

- EN 581-1: General Safety Requirements for outdoor furniture - Contract level
- EN 581-3: Mechanical Safety Requirements for outdoor tables - Contract level
- BIFMA X5.5-2021: Desk and Table Products

## SPECIFICATIONS

### Wood:

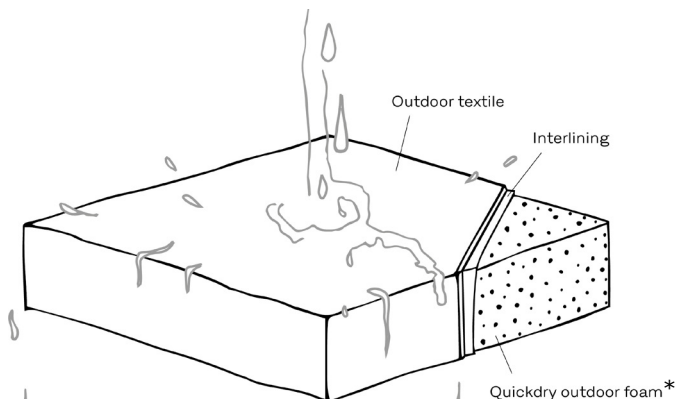
New wooden, teak furniture has natural colour differences found in the freshly cut wood. Once the furniture has been exposed to the sun, these colour differences will even out. As a natural part of the aging process, the surface of teak will change when first being exposed to rain and sunlight; this is the first stage of a process of wood that ages with beauty.

### Textiles:

The textiles are Oeko-Tex certified and extremely colour and lightfast, water and dirt-repellent and even mildew-resistant.

### Cushions:

The Quickdry outdoor foam provides a firm and comfortable seat that retains its shape year after year. The open-cell structure allows both water and air to pass through ensuring the cushion dries exceptionally quickly, even after a heavy downpour. To ensure cushions remain beautiful over time, it is good practice to avoid them being left wet for prolonged periods, e.g., by turning them upright to let water run off or storing them in a dry environment.



\* Not in UK due to fire regs - FR cold foam used instead which is not weather resistant and so cushions need covering / storing indoors when not in use

## **WEIGHT**

### **Sofa units:**

|                |                   |
|----------------|-------------------|
| Corner Module: | 14 kg / 30.9 lb   |
| End Module:    | 15,5 kg / 34.2 lb |
| Spacer Module: | 12 kg / 26.5 lb   |
| Lounge Chair:  | 17 kg / 37.5 lb   |
| Pouf:          | 8,5 kg / 18.7 lb  |

### **Table units:**

|                     |                  |
|---------------------|------------------|
| Lounge Table (H27): | 8,5 kg / 18.7 lb |
| Lounge Table (H40): | 9 kg / 19.8 lb   |

## **COUNTRY OF ORIGIN**

Wood: Indonesia

## **PRE-ASSEMBLED**

Yes (excl. cushions, they must be applied after unwrapping).

Brackets are included and must be mounted to connect modules.

## **PACKAGING**

The units are shipped in a recycled cardboard box. All packaging material can be recycled.

## **CLEANING AND CARE**

Find recommendations for cleaning and care at: [fritzhanzen.com/maintenance](http://fritzhanzen.com/maintenance)

## **REPAIR, DISPOSAL AND REUSE**

In case of repair and disposal the units can be disassembled into parts. All parts can be recycled. Check local regulations for recycling options and whether there is potential for reuse.

## **WARRANTY**

Fritz Hansen provides a five-year warranty on standard products against defects in materials and workmanship.

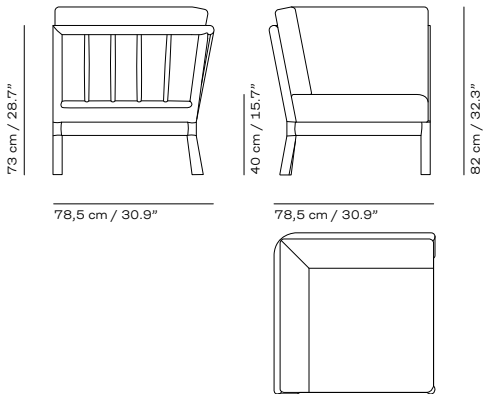
Additional warranty conditions can be found at: [fritzhanzen.com/warranty](http://fritzhanzen.com/warranty)

## **DIMENSIONS**

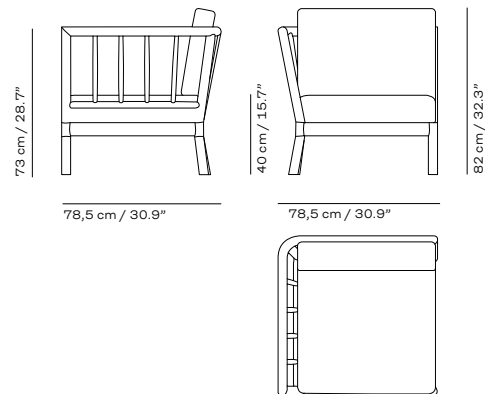
Go to page 4.

**DIMENSIONS**

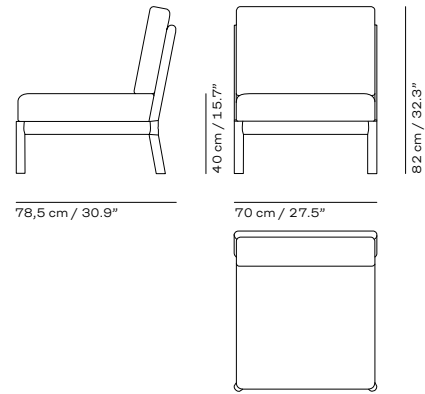
**CORNER MODULE**



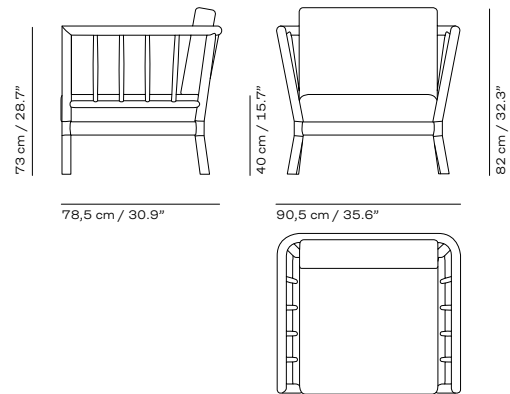
**END MODULE**



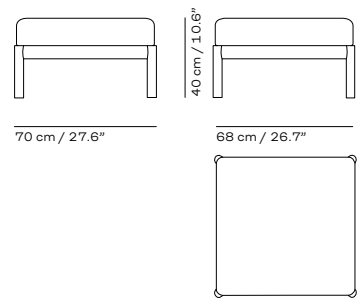
**SPACER MODULE**



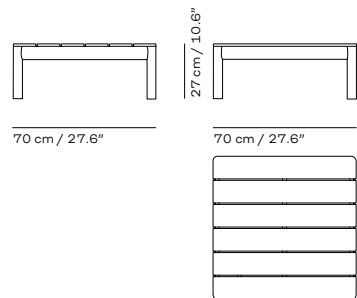
**LOUNGE CHAIR**



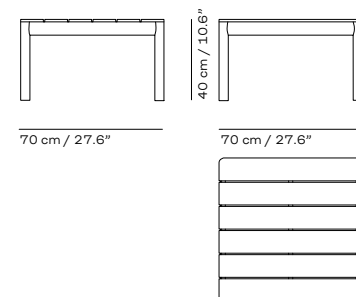
**POUF**



**LOUNGE TABLE (H27)**



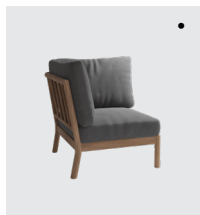
**LOUNGE TABLE (H40)**



## VARIANTS

- Available in all markets excl. UK
- Available in all markets incl. UK

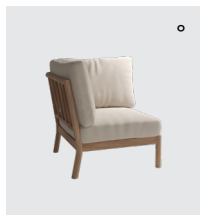
### CORNER MODULE



CHARCOAL  
1505949  
1505945 (UK)



HONEY YELLOW  
1505948

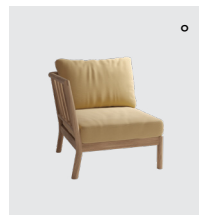


LIGHT SAND  
1505946

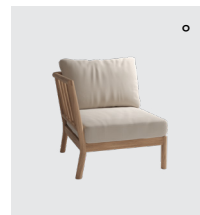
### END MODULE



CHARCOAL  
1505984  
1505958 (UK)



HONEY YELLOW  
1505987



LIGHT SAND  
1505968

### SPACER MODULE



CHARCOAL  
1505983  
1505959 (UK)



HONEY YELLOW  
1505986



LIGHT SAND  
1505969

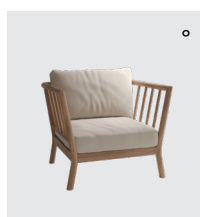
### LOUNGE CHAIR



CHARCOAL  
1505985  
1505957 (UK)



HONEY YELLOW  
1505988



LIGHT SAND  
1505967

### POUF



CHARCOAL  
1505995  
1505956 (UK)



HONEY YELLOW  
1505996



LIGHT SAND  
1505997

### LOUNGE TABLE



H27  
1505992



H40  
1505993