

FRITZ HANSEN



VICO DUO™
PRODUCT FACT SHEET

VICO DUO™

The Vico Duo™ is a stylish veneer stacking chair with simple, tight lines. Vico Magistretti designed the original in 1997, sitting among his sketches in Fritz Hansen's design department. The chair is well suited for agile work spaces and hospitality.

PRODUCT TYPE

Chair / Armchair (all stackable)

ENVIRONMENT

Indoor

DESIGNER / YEAR OF DESIGN

Vico Magistretti, 1997/2020

ABOUT THE DESIGNER

Vico Magistretti is considered one of the founders of Italian design and is widely known for his experimental yet striking harmonic works, ranging from rigorous conceptual furniture to detailed architectural facades.

MODELS

VM110: Chair, tube legs
 VM111: Armchair, tube legs
 VM112: Chair w. welded linking device, tube legs
 VM113: Armchair w. welded linking device, tube legs
 VM114: Chair, sledge base
 VM115: Chair w. welded linking device, sledge base
 VM116: Counter stool w. tube legs
 VM118: Bar stool w. tube legs

Upholstered chairs must be stacked with protection in between each chair.

MATERIAL

Shell: The shell is made of pressure moulded veneer and is available in the finishes clear lacquered and coloured ash. A seat cushion is available pre-mounted or loose.

Base: The base is made of steel tubes and leg ferrules of black synthetic material. It is available in chromed steel or black powder coated steel.

Armpads: The armpads are made of 30% polyamide (PA6 GK).

Materials in %:

Chairs without upholstery:

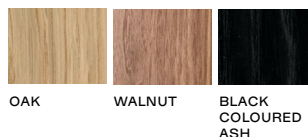
VM110: Wood: 49%, Steel: 48%, Plastic: 3%
 VM111: Wood: 42%, Steel: 54%, Plastic: 4%
 VM112: Wood: 46%, Steel: 50%, Plastic: 4%
 VM113: Wood: 40%, Steel: 55%, Plastic: 5%
 VM114: Wood: 38%, Steel: 59%, Plastic: 3%
 VM115: Wood: 37%, Steel: 60%, Plastic: 3%
 VM116: Wood: 35%, Steel: 62%, Plastic: 3%
 VM118: Wood: 34%, Steel: 64%, Plastic: 3%

FEATURES

- Felt glides
- Transport trolley for 10 pcs. (VM110, VM112, VM114, VM115) or 8 pcs. (VM111, VM114) all non-upholstered
- Linking device (VM114)
- Seat cushion (2 variants)

COLOURS

The shell is available in 3 variants:



The base is available in 2 variants:



*Not applicable for VM114 and VM115

UPHOLSTERY

The front upholstery for the Vico Duo™ is available in the following selection of textile and leather types:

Textile: Belfast, Christianshavn™, Canvas, Capture, Comfort, Diablo, Divina, Divina Melange, Divina MD, Fame, Fiord, Hallingdal, Remix, Re-wool, Steelcut, Steelcut Trio, Sunniva, Tonus

Leather: Embrace, Essential, Grace, Natural, Rustik, Soft

The seat cushions is available in 2 variants:



MADE-TO-ORDER

Non-standard configurations (special colours, upholstery etc.) are available upon request at a minimum order quantity.

PRODUCTION PROCESS

Shell: The shell is made of laminated, pressure moulded veneer - 9 layers in total. The 2 outer layers are made in veneer of different wood types, the 7 inner layers are made of beech. The veneer layers are glued together with water-based urea-formaldehyde glue. Un-upholstered chairs are coated with polyurethane lacquer, which prevents the emission of formaldehyde.

Base: The base is made of chromed steel or powder coated steel. Fritz Hansen uses both trivalent chromium (Cr3) and hexavalent chromium (Cr6) for chromium plating. Fritz Hansen will convert to solely using trivalent chromium (Cr3) when the capacity in the industry allows it.

Seat cushion: Made with PUR foam and upholstered with The textile Just is made of 98% post-consumer recycled polyester. Just is certified with Standard 100 by OEKO-TEX® and the EU Ecolabel.

CERTIFICATION

- PEFC™ PEFC/09-31-068: All wood components are made from PEFC-certified wood. This PEFC certification ensures the wood is from forests that are managed with respect for the ecological, social and ethical standards.
- GreenGuard Gold: Vico Duo™ is GreenGuard Gold certified. GreenGuard certification is an emission certification for indoor air quality. Products with ultra-low-emitting materials can achieve GreenGuard Gold.

For more information about environment and manufacturing processes, please download our environmental information sheet at: [fritzhanzen.com](https://www.fritzhanzen.com)

TEST

- Strength and durability: EN 16139:2013 (EN 1728) Test Level 1 General Contract use
- Stability: EN 1022:2005

WEIGHT

Models without upholstery:

VM110: 4,5 kg / 9.9 lb
 VM111: 5,2 kg / 11.5 lb
 VM112: 4,8 kg / 10.6 lb
 VM113: 5,5 kg / 12.1 lb
 VM114: 6 kg / 13.2 lb
 VM115: 6 kg / 13.2 lb
 VM116: 6,2 kg / 13.7 lb
 VM118: 6,6 kg / 14.6 lb

COUNTRY OF ORIGIN

Poland

PRE-ASSEMBLED

Yes

PACKAGING

PE foam and cardboard are used as protection between stacked chairs. The chairs are covered with a plastic bag and shipped in cardboard. All packaging material can be recycled.

CLEANING AND CARE

Find recommendations for cleaning and care at: [fritzhanzen.com/maintenance](https://www.fritzhanzen.com/maintenance)

REPAIR, DISPOSAL AND REUSE

In the case of disposal the chair can be disassembled into different parts for recycling, special handling and repair. Check local regulations for recycling options and whether there is potential for reuse.

WARRANTY

Fritz Hansen provides a five-year warranty on standard products against defects in materials and workmanship. An extended warranty of up to twenty years is provided on selected products provided they have been registered online on [fritzhanzen.com/my-fh](https://www.fritzhanzen.com/my-fh).

Standard: 5 years (Lacquer on base, Textile, Leather: Essential, Soft, Seat cushion)

Extended: 10 years (Base, Shell, Armrests, Coloured ash, Natural veneer, Leather: Aura, Rustik, Grace, Embrace)

On any material, fabric or leather, which is not listed in our price list on a specific product, the standard warranty is 2 years.

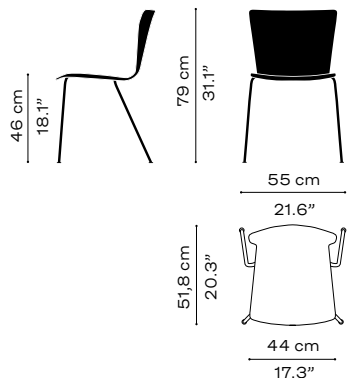
Additional warranty conditions can be found at: [fritzhanzen.com/warranty](https://www.fritzhanzen.com/warranty)

SPARE PARTS

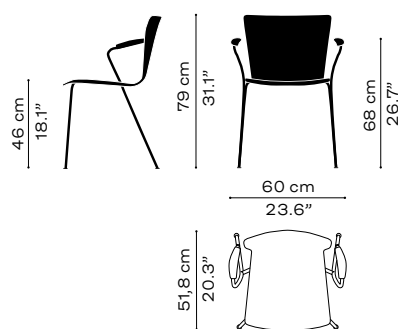
A range of spare parts can be found on: [fritzhanzen.com/en/Categories/Products/Spareparts](https://www.fritzhanzen.com/en/Categories/Products/Spareparts)

DIMENSIONS

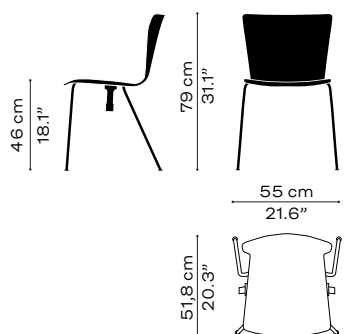
VM110



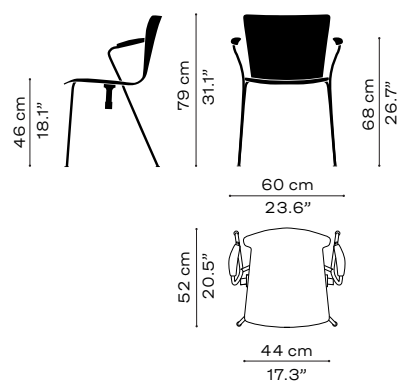
VM111



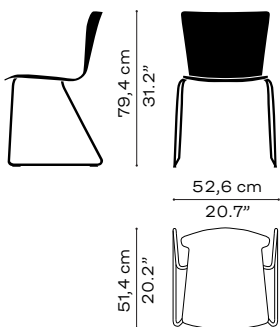
VM112



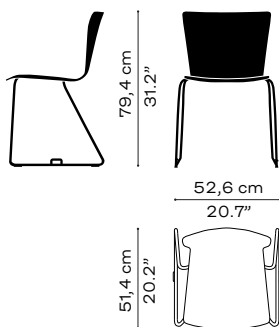
VM113



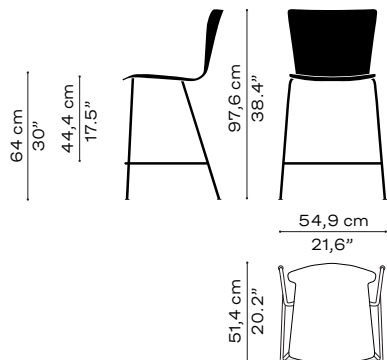
VM114



VM115



VM116



VM118

