

# FLOS

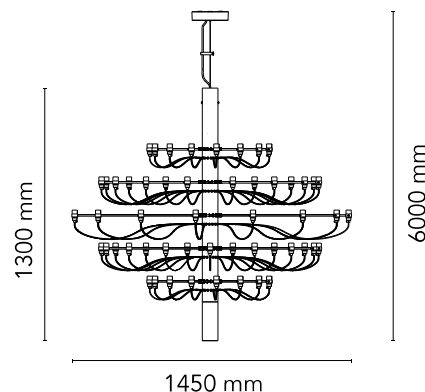
## 2097/75 (clear bulbs)

Designed by Gino Sarfatti, 1958

LED retrofit - 75 x 3W



Suspension lamp providing diffused light. Steel central structure with brass arms, both available either chromium-plated, matte black, matte white or golded. Steel ceiling fitting and rose.



### Main specifications

Mounting	Suspension
Environments	Indoor dry location
Light Source Type	Bulb
Lamp category	LED retrofit
Lamp holders	E14
Ilcos	IBS/F
Bulb finish	Clear
Number of heads	75
Power (W)	3

### Physical

Cord length (mm)	4700
Canopy dimension (mm)	45
Canopy width (mm)	187
Net weight (kg)	30
Package volume (m3)	0.18
IP internal	20

### Download

Mounting instructions



IP
20

## Photometric

Lighting type	Total
Light distribution	Asymmetric

## Electrical

Insulation class	I
Frequency (Hz)	50/60
Main voltage (Vac)	220-250
LED voltage Vf (Vdc)	null
Batteries inside	No