

FLOS

F0090009 White

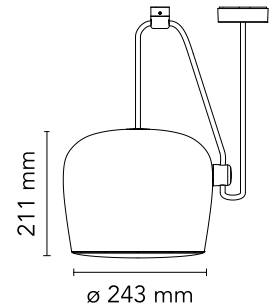
Aim

Designed by Ronan & Erwan Bouroullec, 2013



16W - 895lm - 2700K

Suspended light fitting. Body in varnished aluminium sheet, shade in photo-etched optical polycarbonate. Internal reflector in photo-etched ABS. Orientable body. Powered directly from mains. The LED can be dimmed with a «Triac for Led» dimmer approved by Flos. Flos does not respond in case of wrong electrical connection system installations. The cable has a useful length of 9 meters and thus the lamp can be suspended 3 meters from the ceiling. Multiple rose with capacity to connect up to 5 Aims also available.



Main specifications

EAN	8059607013267
Mounting	Suspension
Environments	Indoor dry location
Light Source Type	LED
LED type	LED Module
Power (W)	16
System flux (lm)	895

Physical

Colour	White
Length (mm)	243
Cord length (mm)	9000
Canopy dimension (mm)	23
Canopy width (mm)	80
Net weight (kg)	3.2
Package height (mm)	375
Package width (mm)	300
Package length (mm)	300
Package volume (m3)	0.03
IP internal	20
IP external	20

Download

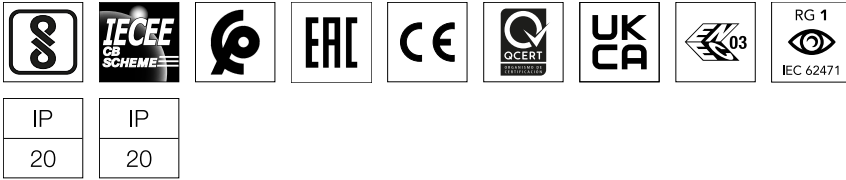
Mounting instructions	↓ PDF
Compatible dimmers	↓ PDF
Spare Parts	↓ PDF

Photometric Files

LDT / IES	↓ LDT
-----------	-------

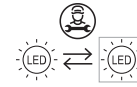
Technical Drawings

2D	↓ ZIP
3D	↓ ZIP
Bim	↓ ZIP



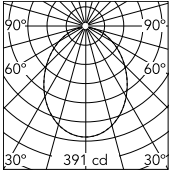
Ecodesign and Energy Labelling

This product contains a light source of energy efficiency class F



Replaceable (LED only) light source by a professional

Schematic light drawing



Luminous flux luminaire
895 lm

Photometric

Light distribution	Roto symmetric
CCT (K)	2700

Electrical

Insulation class	II
Frequency (Hz)	50/60
Main voltage (Vac)	220-240
LED voltage Vf (Vdc)	null
Driver	Integrated
Dimmable	Yes
Dimming type	Mains Cut Dimming
Dimming interface	Remote Dimmable (Dimmer Not Included)
Batteries inside	No

Accessories & Power Supply



OPTIONAL

RF22227

Aim Dimmer

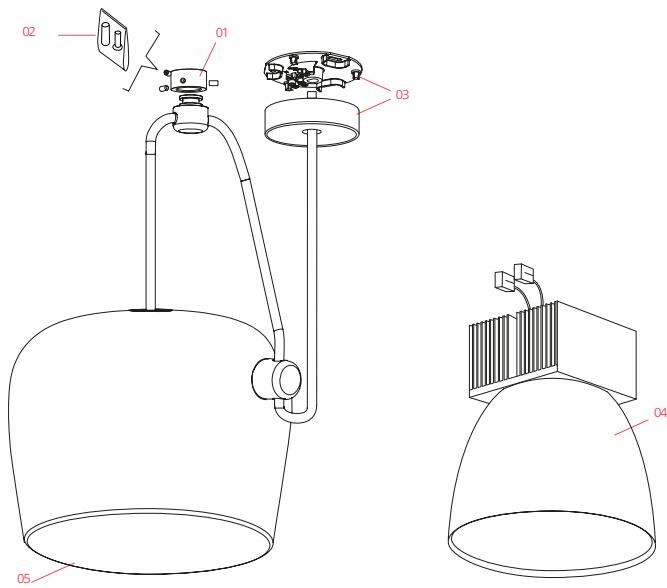


OPTIONAL

F0093009

Aim Multiple Canopy

Spare Parts



- | | | |
|-----|--------------------------------------------------------|-----------|
| 01. | Ceiling attachment assembly | RF0090109 |
| 02. | Kit of quantity 3 m4 screws | RF06749 |
| 03. | White ceiling rose assembly | RF0090209 |
| 04. | Aim Heatsink, 2700K Led Module
& Reflector Assembly | RF0090700 |
| 05. | Aim opal diffuser | RF0090600 |

DOWNLOAD



RF0090109

Ceiling attachment assembly



RF06749

Kit of quantity 3 m4 screws



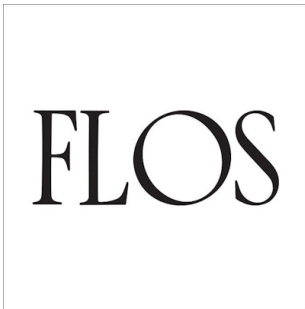
RF0090209

White ceiling rose assembly



RF0090700

Aim Heatsink, 2700K Led Module
& Reflector Assembly



RF0090600

Aim opal diffuser