

FLOS

F1634039 Moss Green

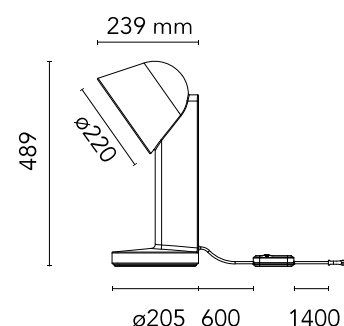
C ramique Down

Designed by Ronan Bouroullec, 2023



LED retrofit

The «C ramique» lamp collection was designed by Ronan Bouroullec for Flos. This lamp is the pure expression of a material, a union of the hands of a designer that can create visual poetry and the «savoir-fair» of a company that can translate it into an object. The lamp's iconic ceramic body features a lead-free lacquered crystalline finish that complements its handcrafted surface. White diffuser made of polycarbonate. C ramique combines elegance and craftsmanship with versatile lighting. With a durable design and attention to detail, this collection enhances the beauty of ceramics and promotes energy efficiency. Available colors: Moss Green, Navy Blue and Rust Red.



Main specifications

| | |
|-------------------|---------------------|
| EAN | 8059607061886 |
| Mounting | Table |
| Environments | Indoor dry location |
| Light Source Type | Bulb |
| Lamp category | LED retrofit |
| Lamp type | A60 |
| Lamp holders | E27 |

Physical

| | |
|---------------------|------------|
| Colour | Moss Green |
| Length (mm) | 195 |
| Cord length (mm) | 2000 |
| Net weight (kg) | 3.5 |
| Package height (mm) | 715 |
| Package width (mm) | 370 |
| Package length (mm) | 370 |
| Package volume (m3) | 0.1 |

Download

Mounting instructions



Ecodesign and Energy Labelling



Replaceable (LED only) light source by an end-user



Photometric

| | |
|--------------------|------------|
| Lighting type | Direct |
| Light distribution | Asymmetric |

Electrical

| | |
|--------------------|-------------------|
| Insulation class | II |
| Frequency (Hz) | 50/60 |
| Main voltage (Vac) | 220-240 |
| Dimmable | Yes |
| Dimming interface | Dimmer Integrated |

Bulbs



NOT INCLUDED

RF25317

LED Opal Lamp E27 8W 3000K
A60 Dimmable



NOT INCLUDED

RF25323

LED Opal Lamp E27 8W 2700K
A60 Dimmable