

# FLOS

F1810044 Anodized Champagne

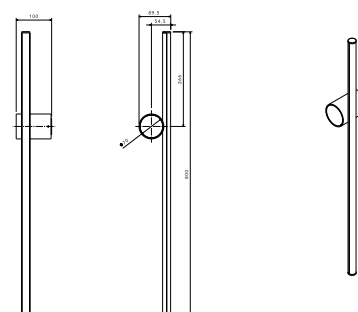
## Coordinates Wall 1

Designed by Michael Anastassiades, 2020



15W - 961lm - 2700K - CRI > 90

Wall-mounted diffuse lighting device composed of a horizontal bar (model Wall 1) or vertical and horizontal bar (model W2). Each bar is composed of: extruded and processed aluminium body anodized in a champagne colour; diffuser in platinum optical silicone; integrated LED strip (CRI 90). Each model comes with its own rose, whose integrated electronics allow for the use of different dimmer systems.



### Main specifications

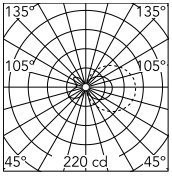
EAN	8059607035238
Mounting	Wall
Environment	Indoor dry location
Light source type	LED
LED type	LED Module
Lamp holder	LED Module
Number of heads	1
Power (W)	15
System power (W)	15
System lux (lm)	961

### Physical

Colour	Anodized Champagne
Length (mm)	800
Net weight (kg)	0.8
Package volume (m3)	0.04
IP	20
IP external	20



## Schematic light drawing



Luminous flux luminaire  
961 lm

The above drawing is for illustrative purposes only and refers to product code: F18100XXWCOORDINATES-W1\_16W-LED

## Photometric

Lighting type	Total
Light distribution	Asymmetric
CCT (K)	2700
CRI >	90

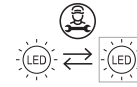
## Electrical

Insulation class	I
Frequency (Hz)	50/60
Main voltage (Vac)	230
Driver	Integrated
Dimming type	Mains Cut Dimming
Batteries inside	No

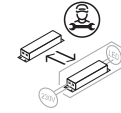
## Ecodesign and Energy

### Labelling

This product contains a light source of energy efficiency class F



Replaceable (LED only) light source by a professional



Replaceable control gear by a professional