

FLOS

F6263000 Transparent

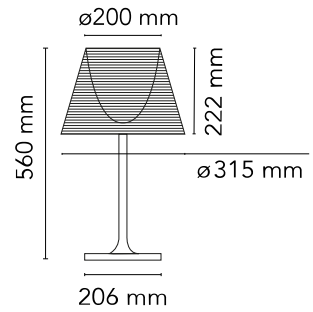
KTribe Table 1

Designed by Philippe Starck, 2007



Halogen - 100W

Table luminaire providing diffused lighting. Base, rod support and diffuser support in die-cast, polished Zamak alloy. Polished aluminum tubular. Injection-molded, matte black PA (Nylon) base cover. Injection-molded PC (polycarbonate) opal inner diffuser. Outer diffuser in transparent or fumée PMMA (polymethylmethacrylate).



Main specifications

Mounting	Table
Environments	Indoor dry location
Light source type	Bulb
Light sources included	No
Lamp category	Halogen
Lamp holders	E27
Iicos	HSGS
Number of lamps	1
Power (W)	100

Physical

Colour	Transparent
Length (mm)	315
Cord colour	Black
Cord length (mm)	1640
Net weight (kg)	3.13
Package volume (m3)	0.1
IP internal	20

Download

Mounting instructions [↓ PDF](#)

Photometric Files

LDT / IES [↓ LDT](#)

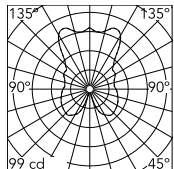
Technical Drawings

2D [↓ ZIP](#)

3D [↓ ZIP](#)



Schematic light drawing



Luminous flux Luminaire
1200 lm

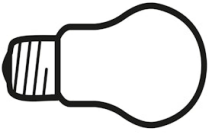
Photometric

Lighting type	Indirect, Direct
Light distribution	Symmetric
Extreme cut off	No

Electrical

Insulation class	II
Frequency (Hz)	50/60
Main voltage (Vac)	220-240
Dimmable	Yes
Dimming interface	Dimmer Integrated
Plug type	Type C
Batteries inside	No

Bulbs



NOT INCLUDED

RF32563

LED Lamp 11.5W E27 220-240V
2700K A70

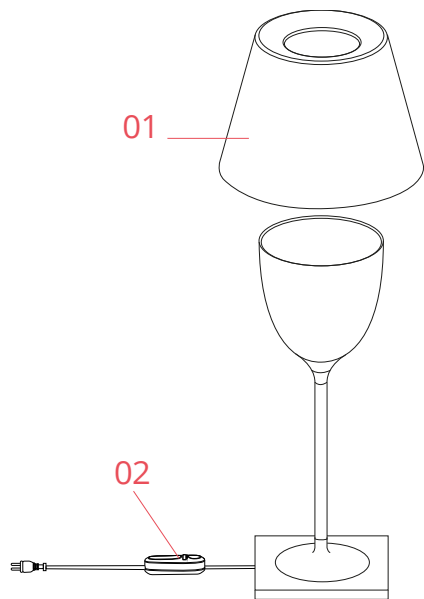


NOT INCLUDED

RF32564

LED Lamp 11.5W E27 220-240V
3000K A70

Spare Parts



- | | | |
|-----|---|----------|
| 01. | Ktribe Table 1 transparent
diffuser assembly | F6264000 |
| 02. | Black Dimmer Switch | RF28206 |



F6264000
Ktribe Table 1 transparent
diffuser assembly



RF28206
Black Dimmer Switch