

- INSTRUCTION MANUAL -

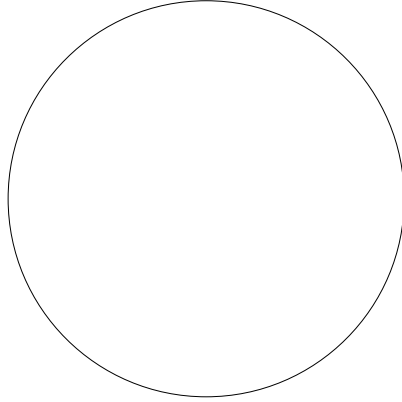
ABOUT A TABLE AAT 15 | AAT 20



DESIGN BY HEE WELLING & HAY

HAY

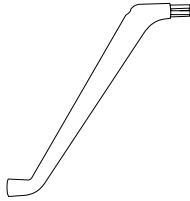
- PARTS -



A Tabletop x1



B Column x2



C Leg x4



D Support x4



E Bracket x2



F Screw x12



G Adjustable glider x4



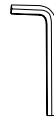
H Expanding nut x8



I Screw x8

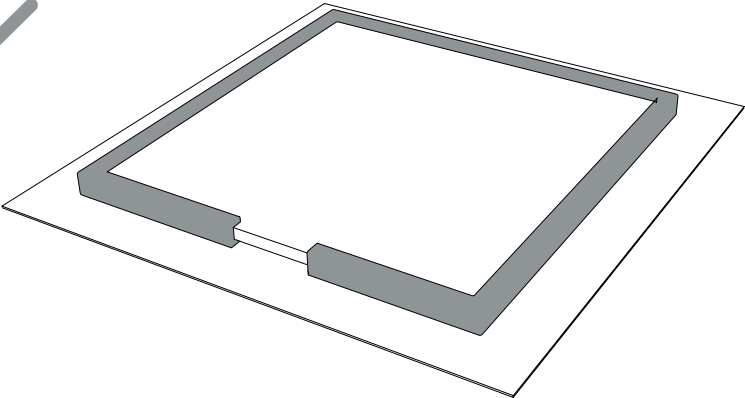
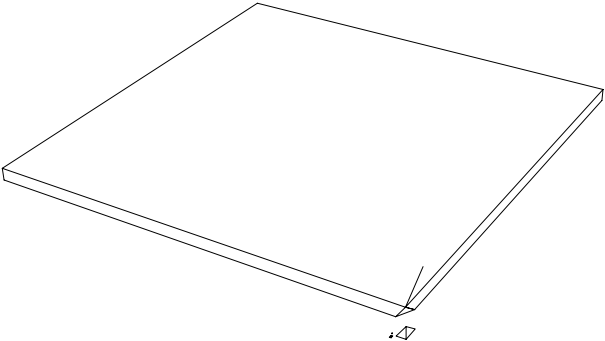


J Screw x2



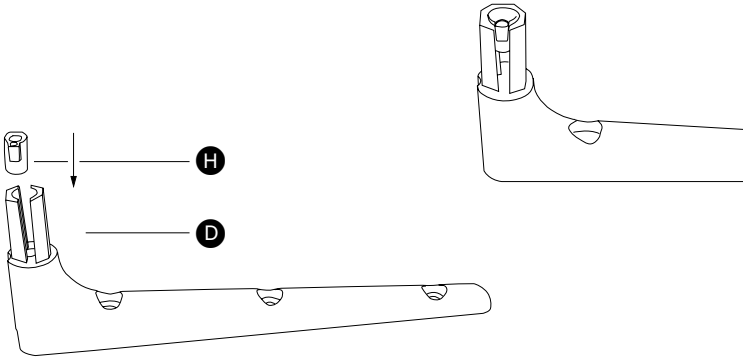
K Allen key x1

Protect the table top from scratches and other damage while assembling.



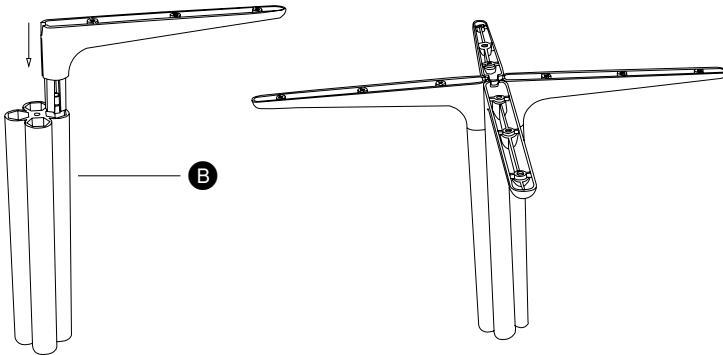
1.

Slide the **H** part into the **D** part and press it down gently.
Repeat this step on all **D** parts.



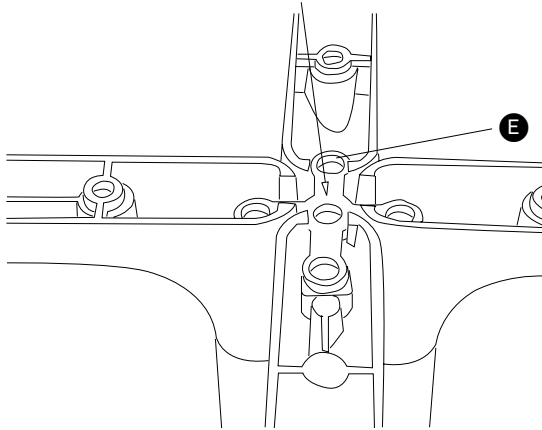
2.

Place the **D** part into the **B** part.
Repeat this step on all **D** parts.



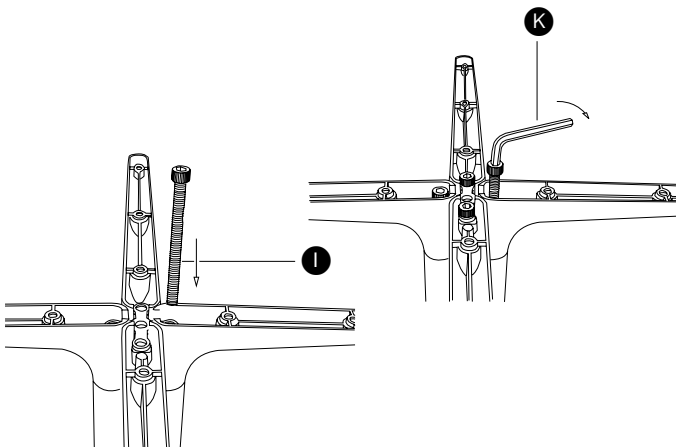
3.

Place the **(E)** part in the shown holes of the **(D)** parts.



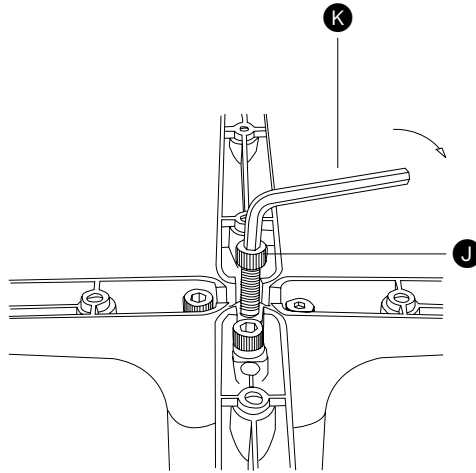
4.

Screw 4 x **(L)** parts in the shown holes of the **(E)** part, using the Allen key **(K)**.



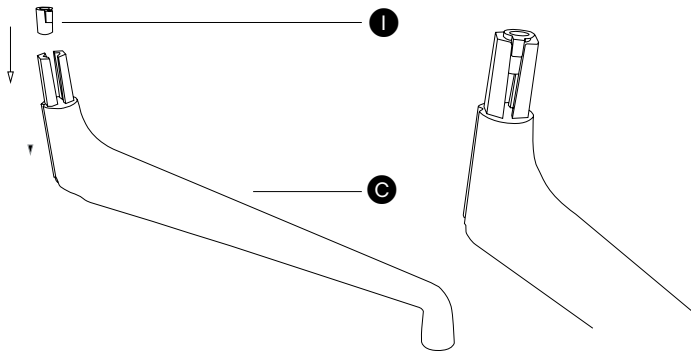
5.

Screw 1 x **J** part in the shown hole of the **E** part, using the Allen key (**K**).



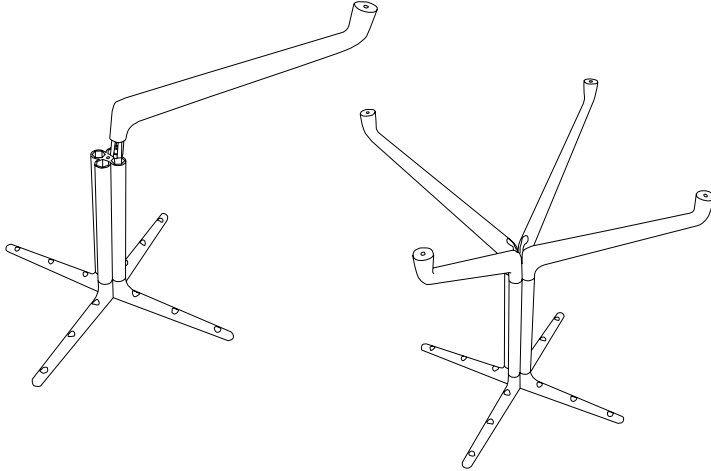
6.

Place the **I** part into the **C** part and press it down gently.
Repeat this step on the **C** parts.



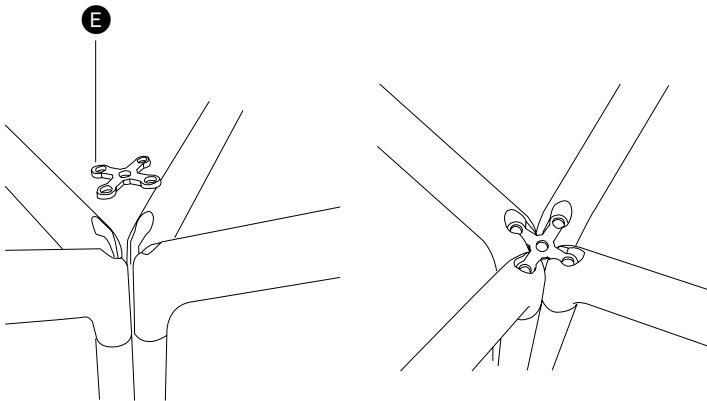
7.

Place the **C** part in the shown holes of the **B** part.
Repeat this step on all **C** parts.



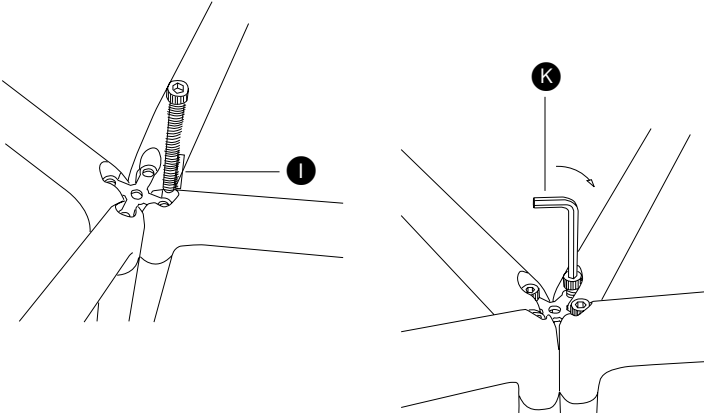
8.

Place the **E** part in the shown holes of the **C** parts.



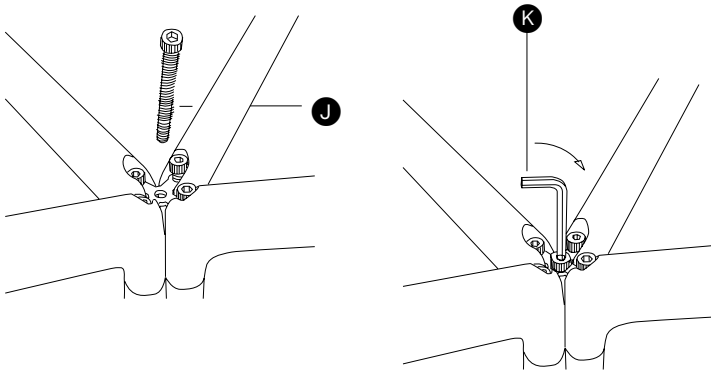
9.

Screw 4 x **I** parts into the shown holes of the **E** part using the Allen key (**K**).



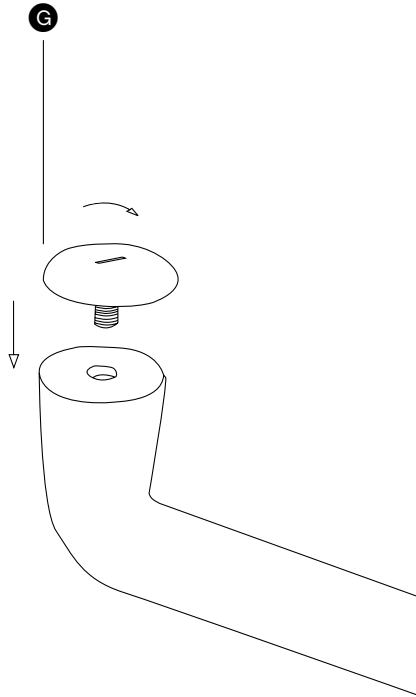
10.

Screw 1 x **J** part in the shown hole of the **E** part using the Allen key (**K**).



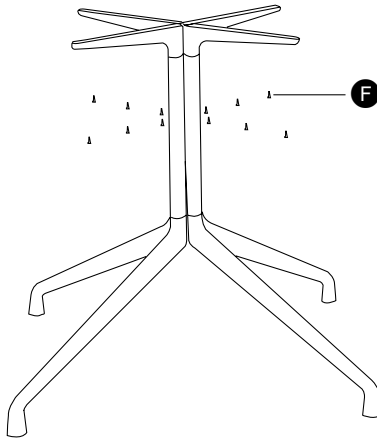
11.

Screw the **G** part into the hole of the **C** part. Repeat this step on all **C** parts.



12.

Screw the **D** part to the tabletop using the **F** parts.



NOTICE

Make sure the table is upright
when mounting the base.

13.

If the table is standing on an uneven floor, adjust the gliders **G** until stable.



- CARE & MAINTENANCE -

Our Care & Maintenance offers guidance for optimal maintenance of your HAY product. It includes advice and instructions on cleaning and caring for specific materials to prolong the life of your furniture.

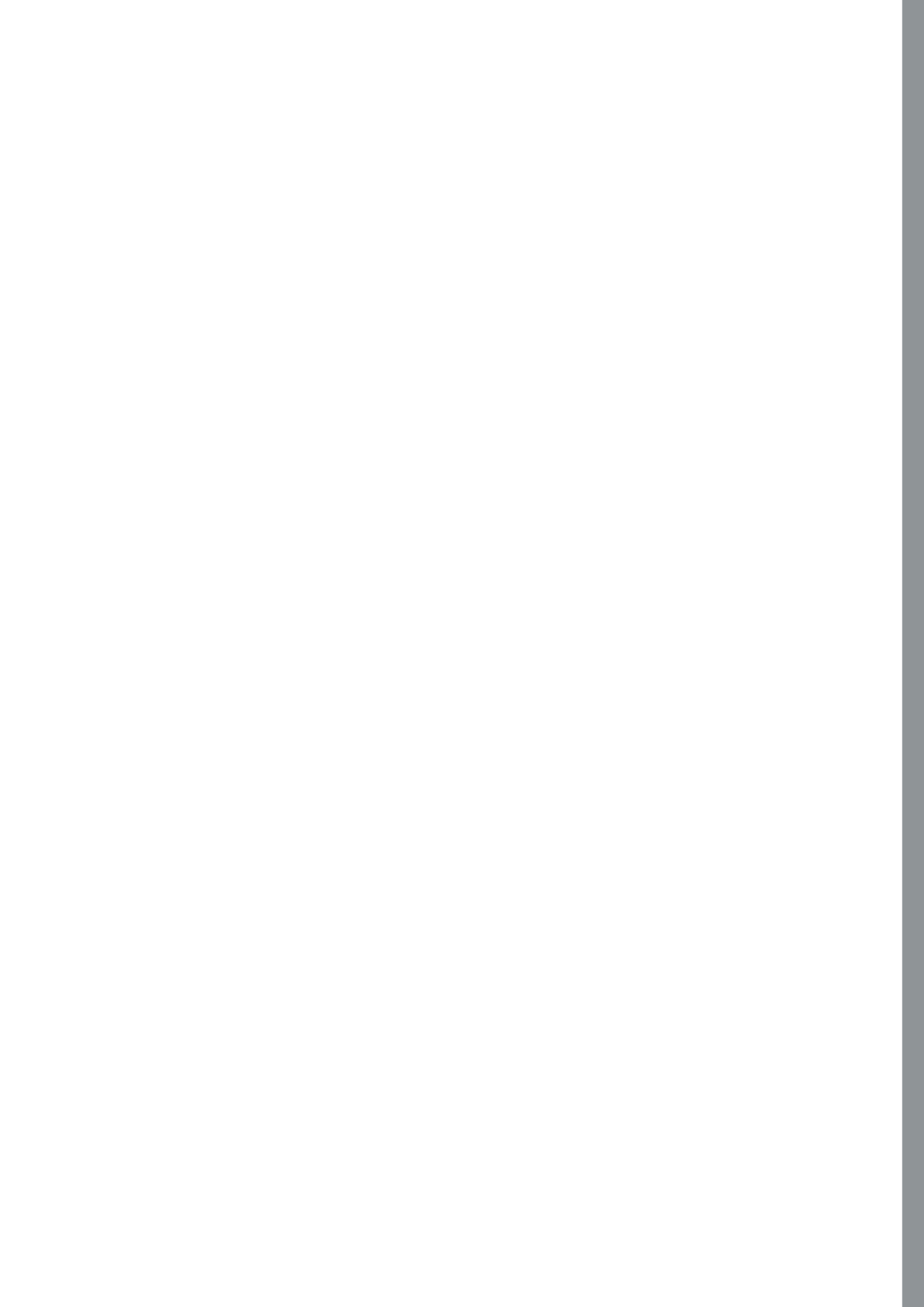


Please find our Care & Maintenance guide by scanning the QR code



You can find more relevant information on AAT 15 & AAT 20 by scanning the QR codes

You can also find the same information here
hay.dk/downloads



Havnen 1 8700 Horsens Denmark
+45 4282 0282 / hay@hay.com

www.hay.com

22/12/2021

HAY