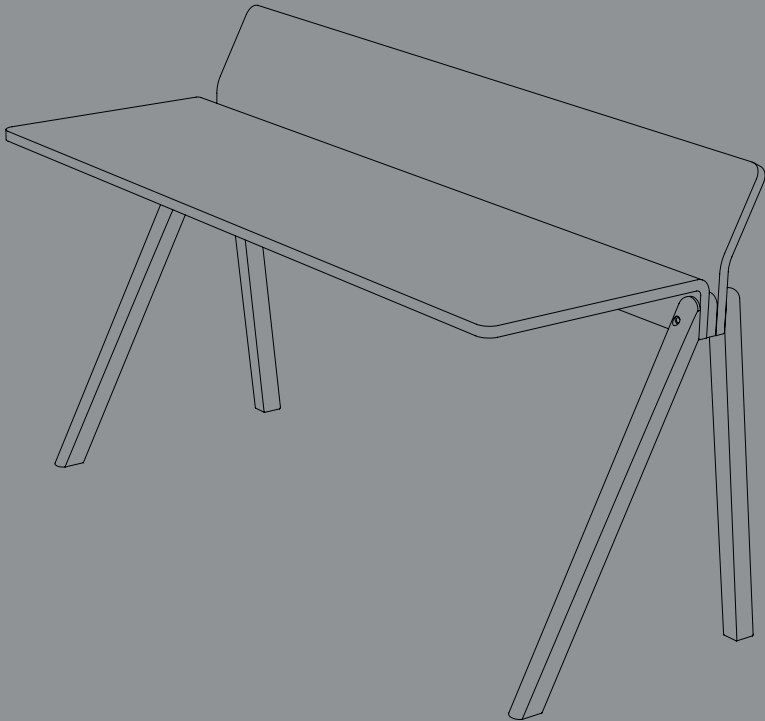


- INSTRUCTION MANUAL -

CPH 190

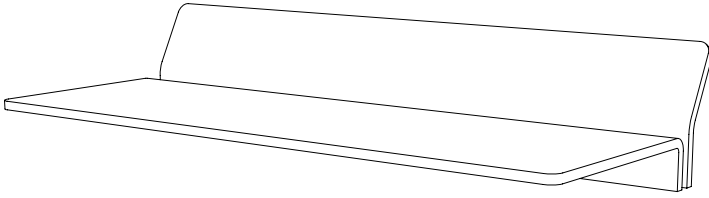
L150 X W70 X H74



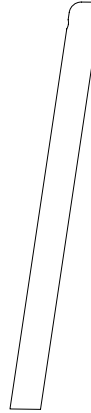
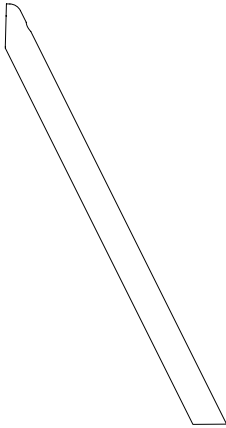
DESIGN BY RONAN & ERWAN BOUROULLEC

HAY

- PARTS -

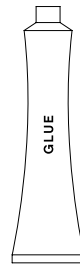
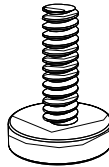
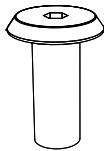


A Table top x1



B Leg x2

C Leg x2



D Screw x2

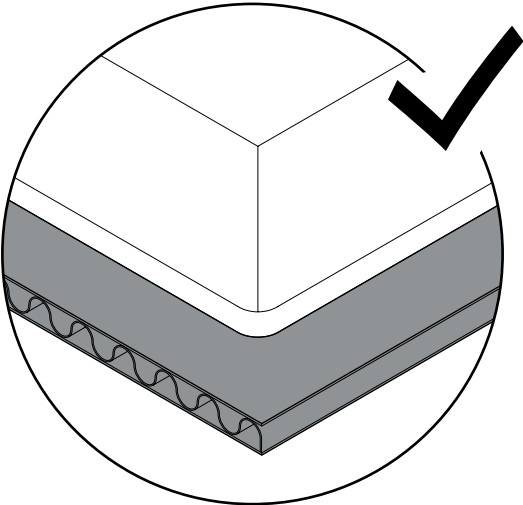
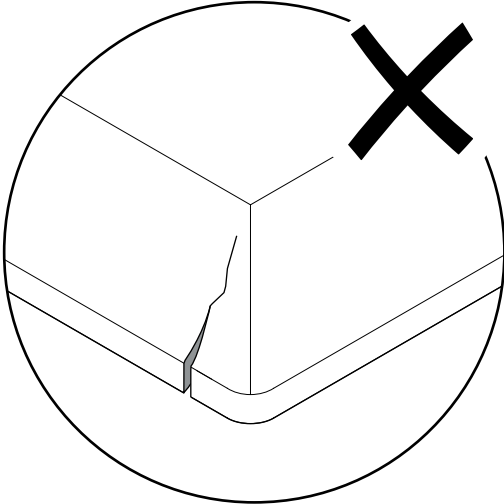
E Screw x4

F Screw x4

G Glue

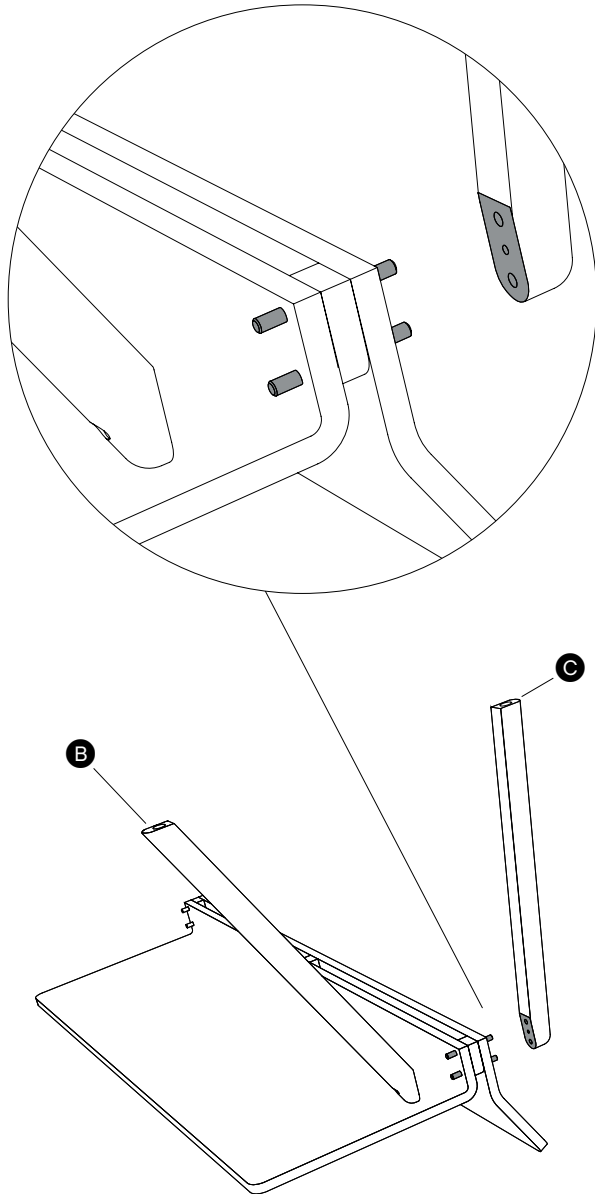
H Allen key

Protect the table top from scratches and other damage while assembling.



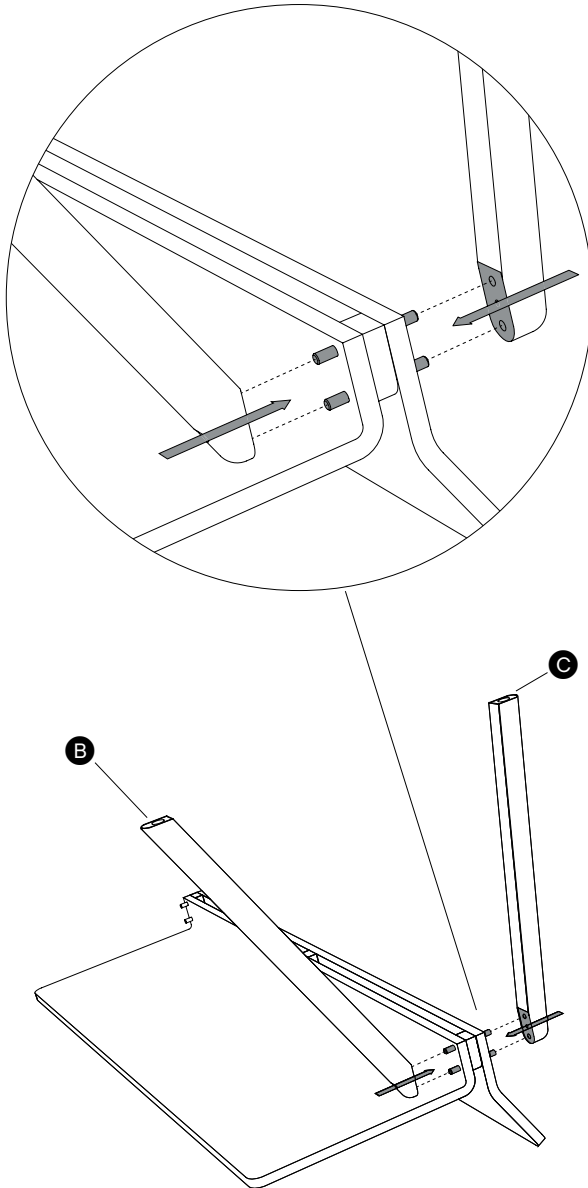
1.

Add glue **C** to the marked surfaces and dowels.



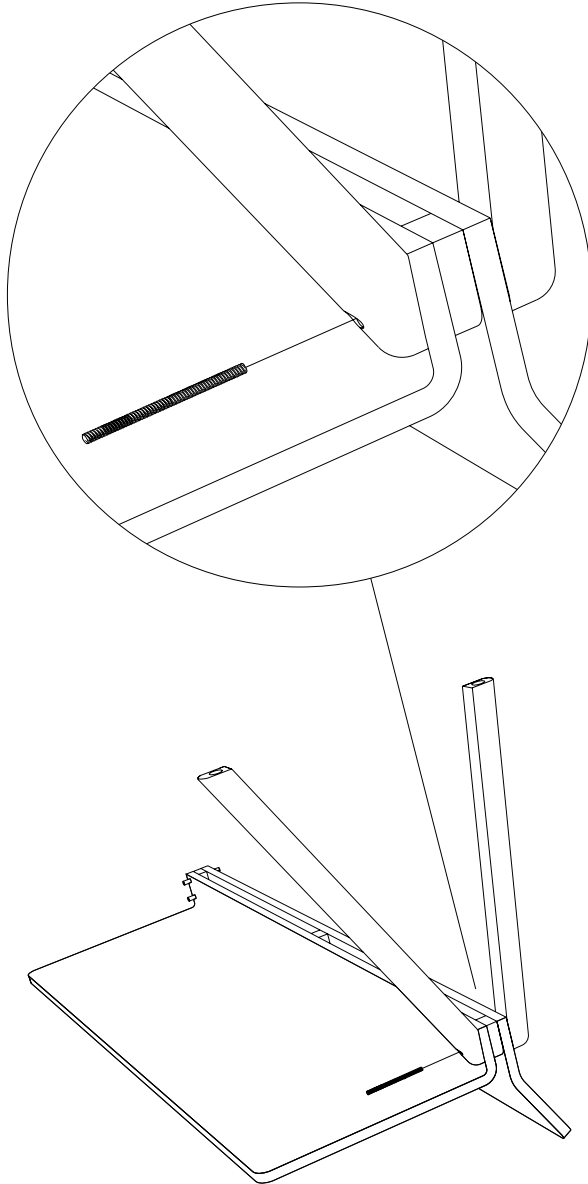
2.

Position parts **B** and **C** as indicated.



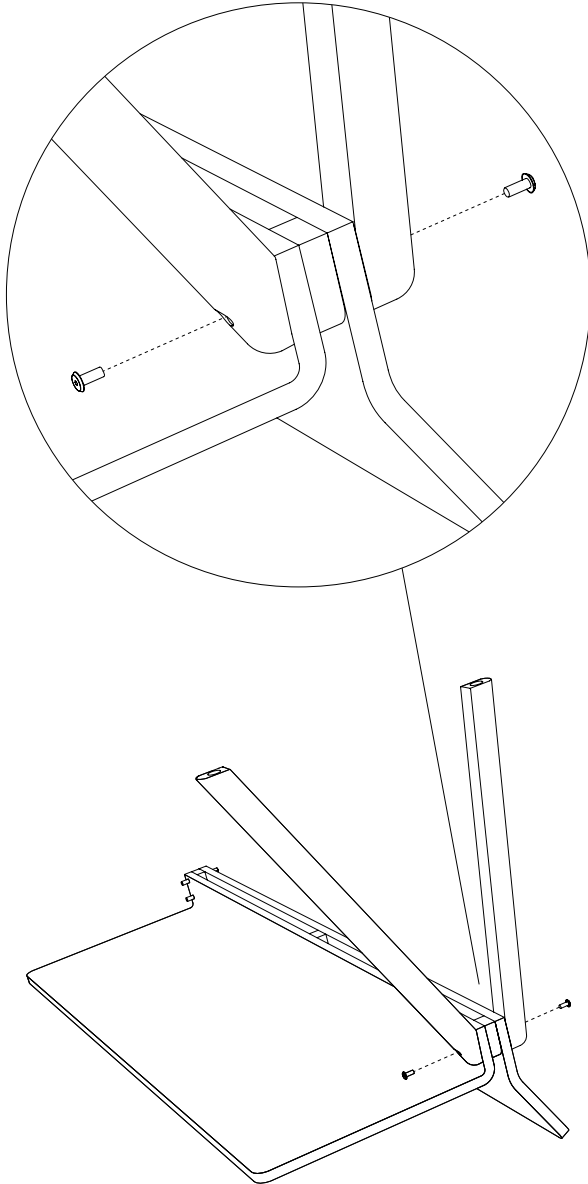
3.

Place the screw **D** in the middle of the hole.



4.

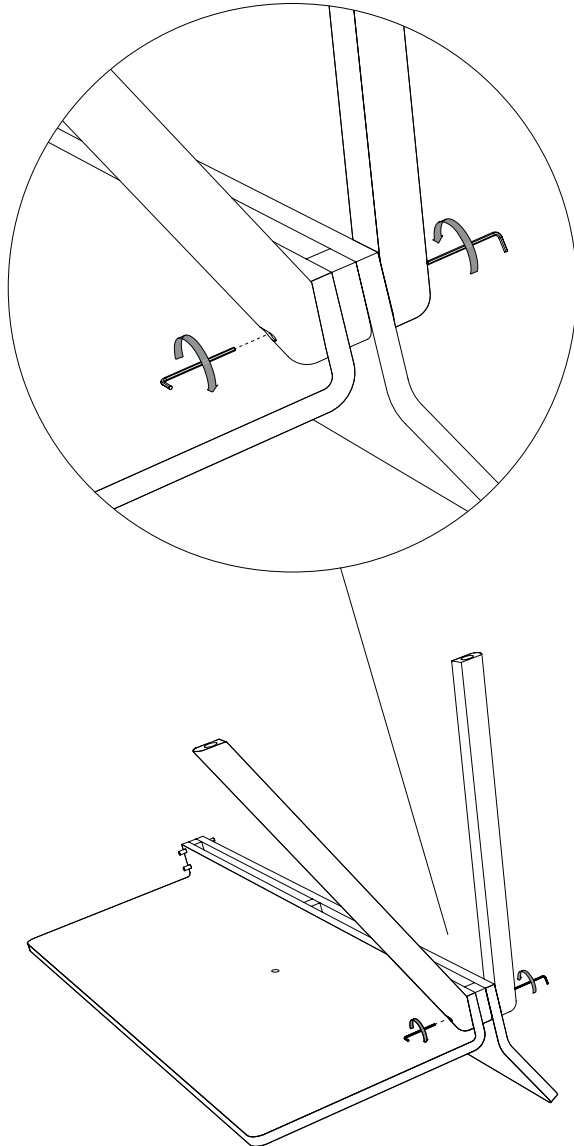
Insert the screws **E** in the holes.



5.

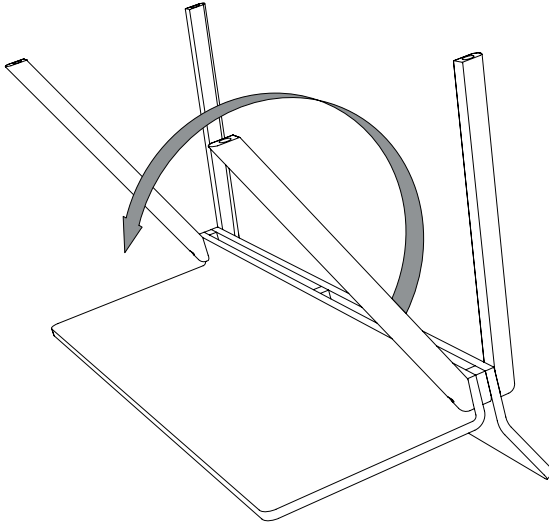
Tighten the screws **E** with the Allen key **H**. Before use, leave the table to dry for 60 minutes, and remove any remaining glue.

Repeat steps 1 - 5 at the other end of the table.

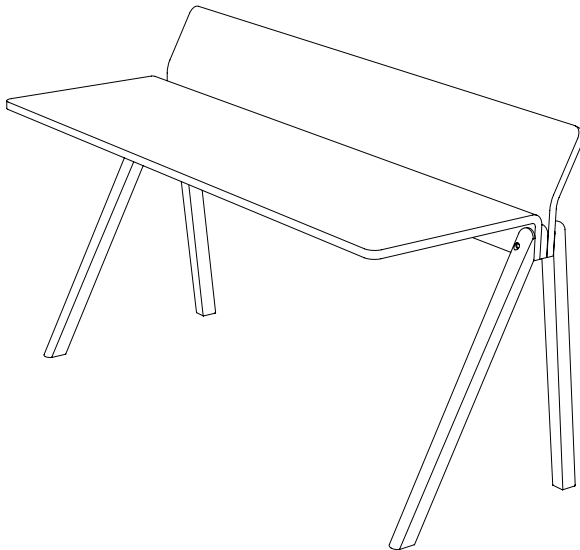


7.

Turn the table over. (2 persons recommended).



8.



- CARE & MAINTENANCE -

Our Care & Maintenance offers guidance for optimal maintenance of your HAY product. It includes advice and instructions on cleaning and caring for specific materials to prolong the life of your furniture.



Please find our Care & Maintenance guide by scanning the QR code



You can find more relevant information on CPH 190 Desk by scanning the QR code

You can also find the same information here
hay.dk/downloads

Havnen 1 8700 Horsens Denmark
+45 3164 6000 / hay@hay.com

10/01/2023

HAY