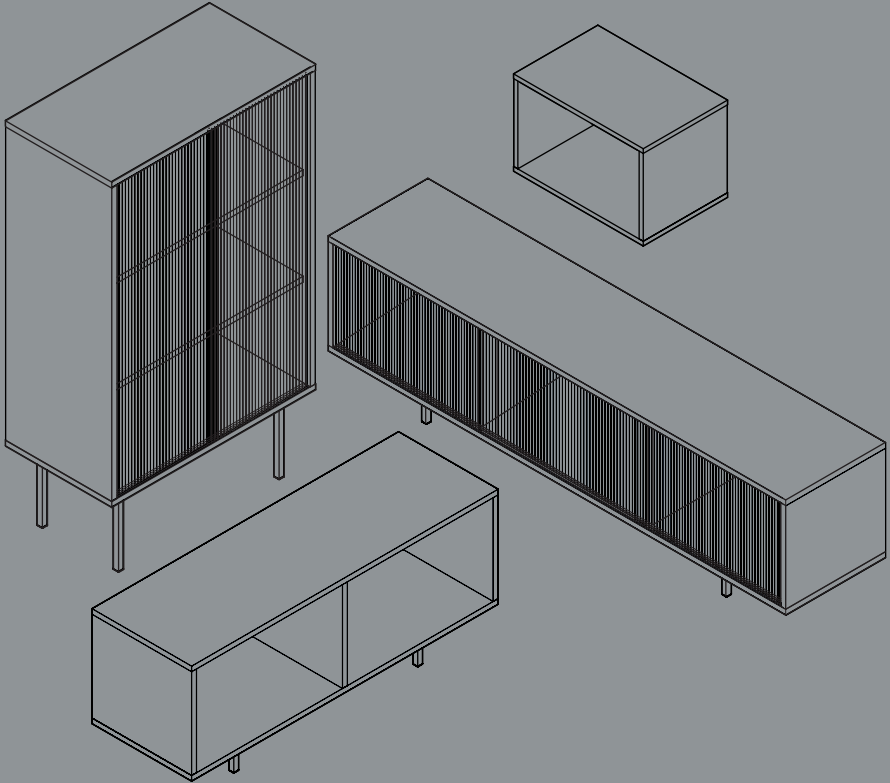


- INSTRUCTION MANUAL -

# COLOUR CABINET

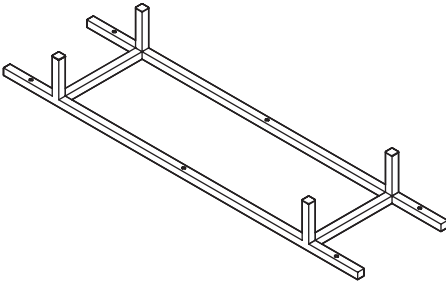


DESIGN BY MULLER VAN SEVEREN

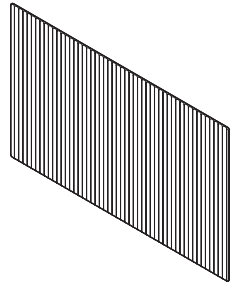
# HAY



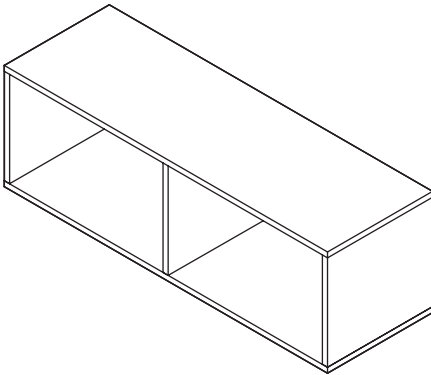
- PARTS -



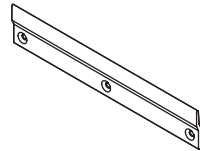
**A** Frame x1  
(Only for floor cabinet)



**D** Glass panels  
Medium/Tall x2 | Large x3  
(Only for glass cabinet)



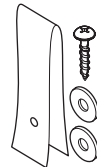
**B** Cabinet x1



**E** Wall bracket x2  
(Only for wall cabinet)

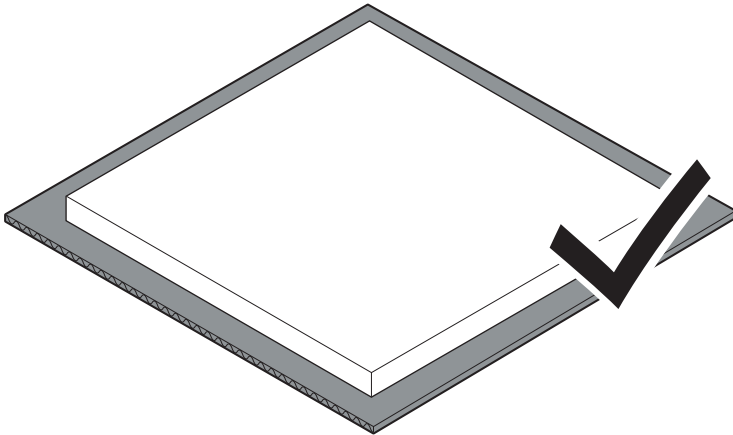
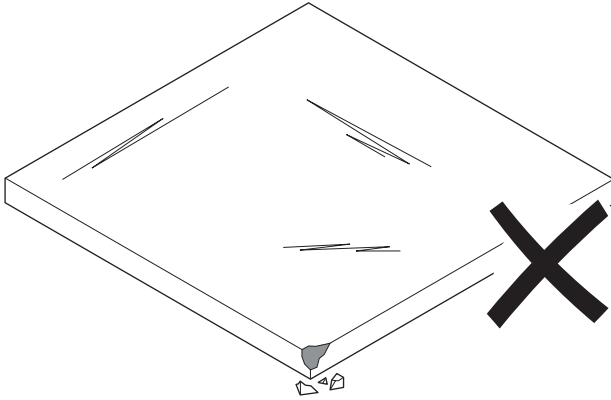


**C** Screws  
Small x4 | Medium x6 | Large/Tall x8  
(Only for floor cabinet)



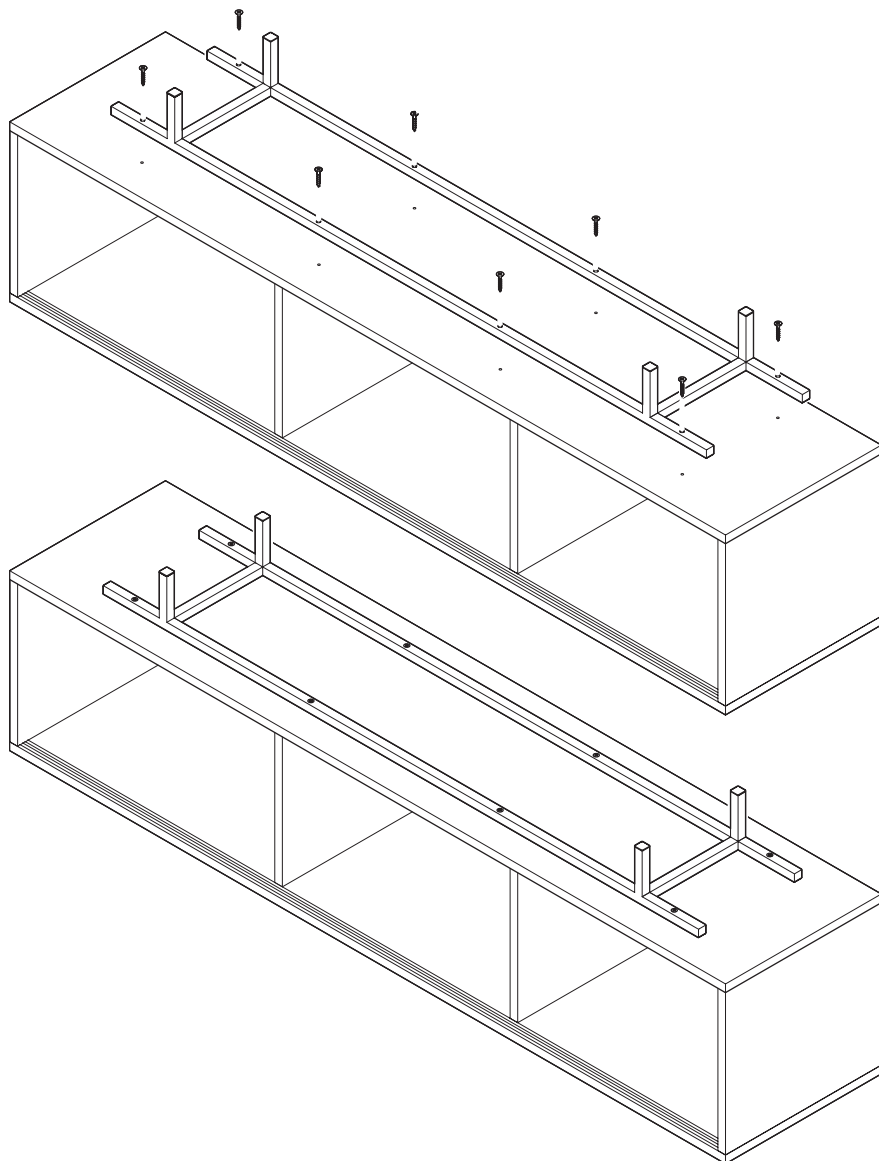
**F** Safety strap x2  
(Only for tall cabinet)

Protect the cabinet from scratches and other damage while assembling.



## FRAME ASSEMBLY / FOR FLOOR CABINET

Mount the frame **A** onto the underneath side of the cabinet **B**.  
Fasten it with screws **C** in the pre-drilled holes. Do not overtighten the screws.  
Then turn the cabinet over.

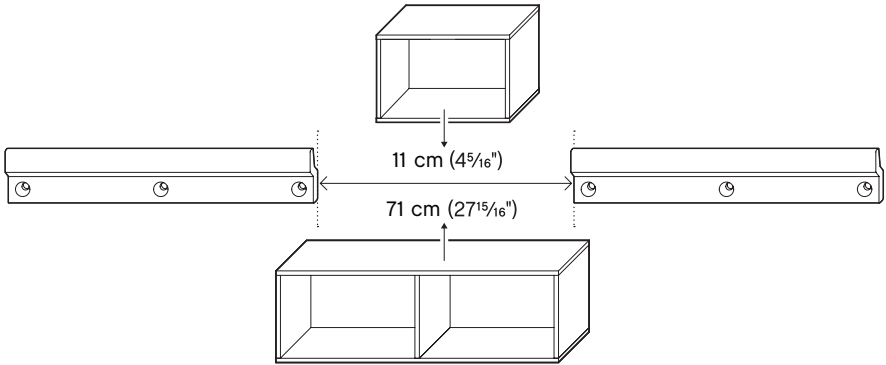


## WALL MOUNTING / FOR HANGING CABINET

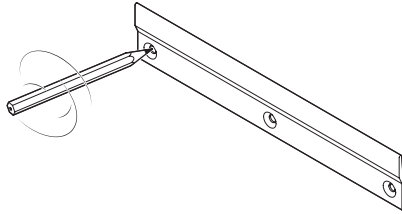
To mount your cabinet on a wall, drill holes accordingly and mount the brackets **E**.

Different walls require different fastening hardware, which is not provided.

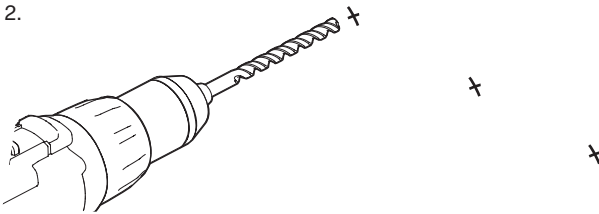
Consult a professional if in doubt about what kind of hardware to use for your wall.



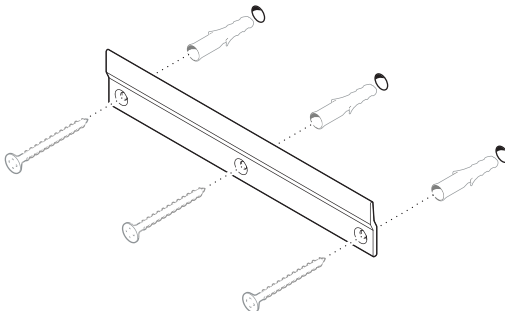
1.



2.

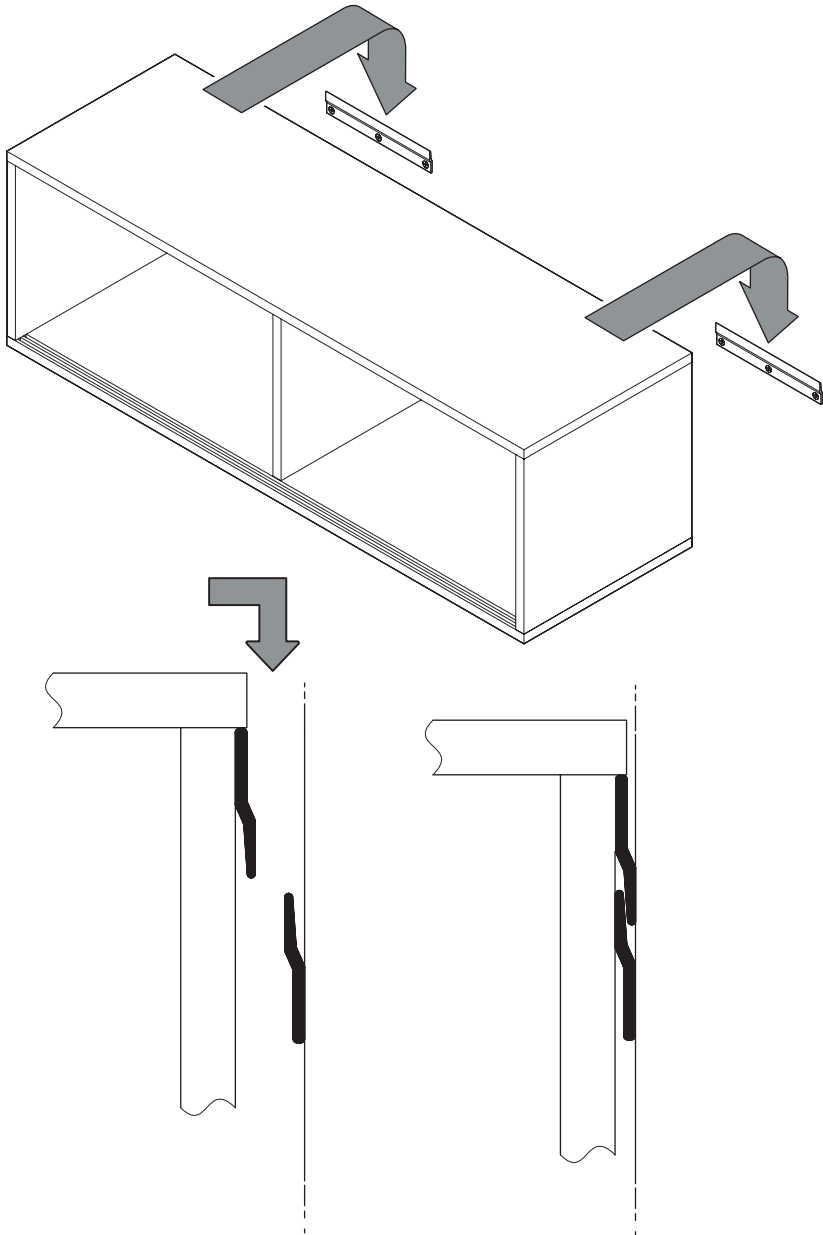


3.



3.

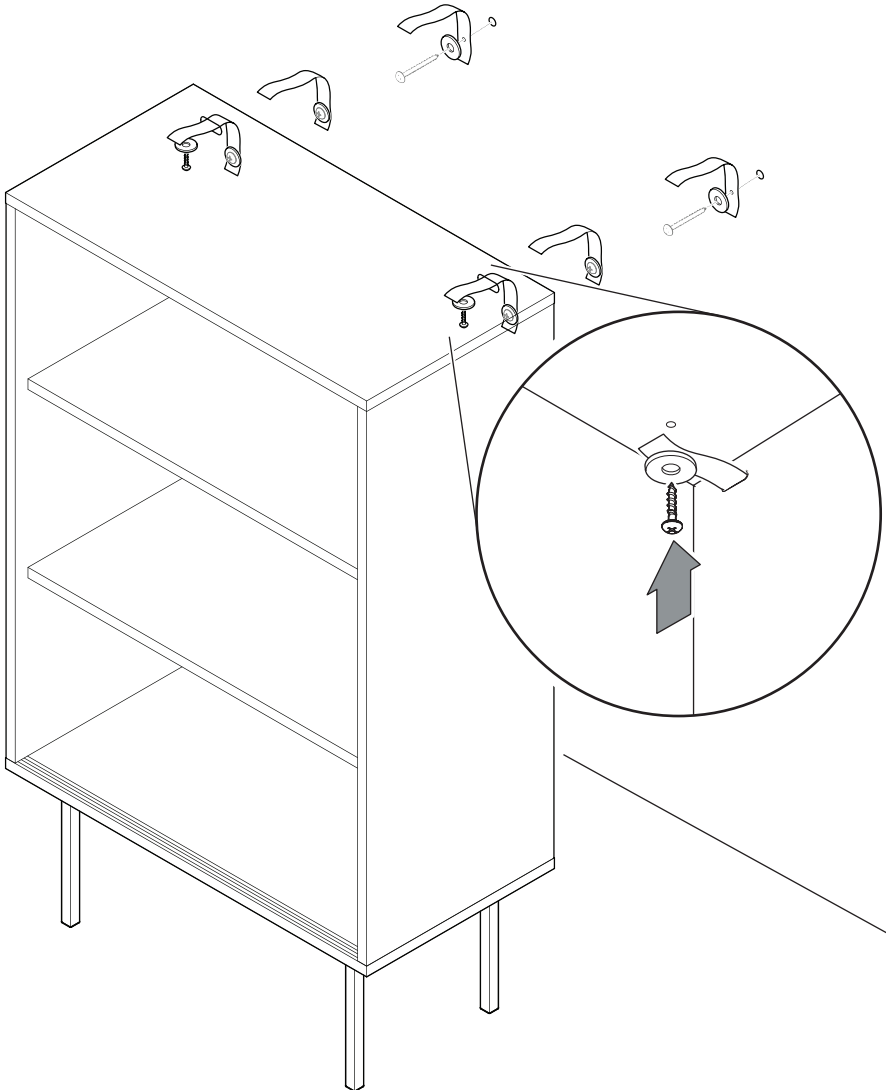
Hang the cabinet on the wall by connecting the brackets.



## SAFETY STRAPS / FOR TALL CABINET ONLY

Tall cabinets have to be secured to a wall. Use the provided safety straps **F** and fasten one end to the wall, threading the strap through the cut-out on the back side of the cabinet. Secure the strap with the provided screw and washer, as illustrated below.

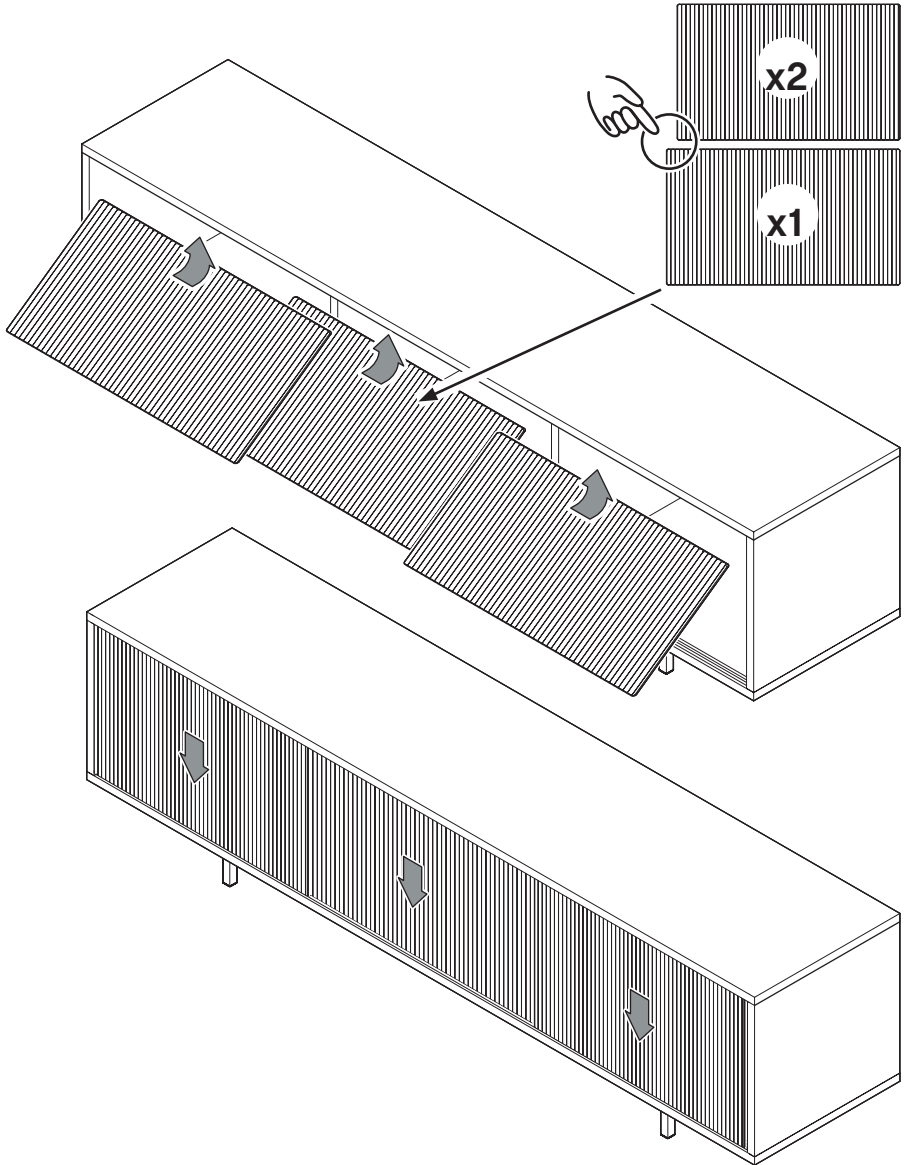
Different walls require different fastening hardware, which is not provided. Consult a professional if in doubt about what kind of hardware to use for your wall.





## MOUNTING OF GLASS PANELS

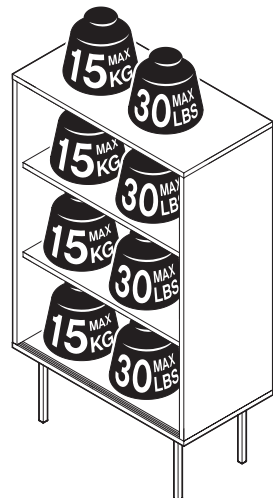
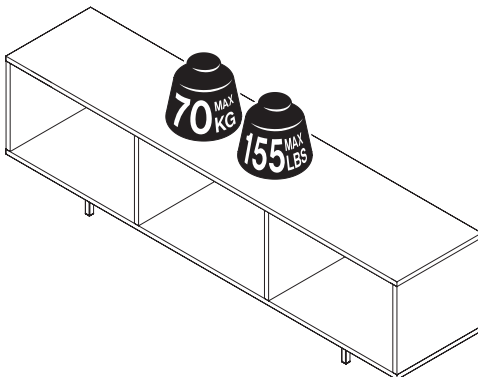
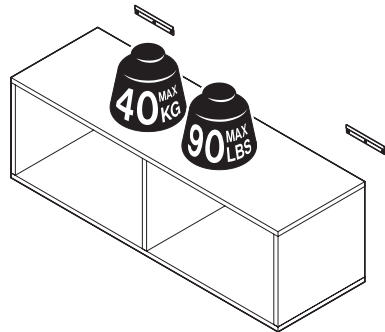
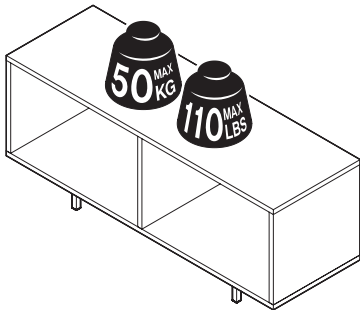
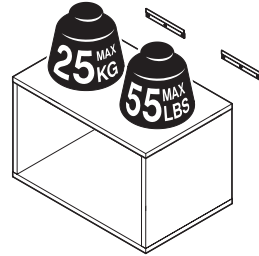
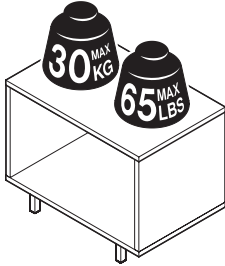
Mount the glass panels **D** by gently pushing them up in the designated track, before slowly inserting them in the corresponding bottom track. If your cabinet has three glass panels, start with placing the longer one in the middle of the inner track.



- WARNING -



Maximum weight when properly installed hanging on a wall or standing on a floor.  
The maximum weight indication on the wall hanging cabinets depends on the strength of the wall material. Please consult a professional if you are unsure.  
The load has to be evenly distributed.



- CARE & MAINTENANCE -

Our Care & Maintenance offers guidance for optimal maintenance of your HAY product. It includes advice and instructions on cleaning and caring for specific materials to prolong the life of your furniture.



Please find our Care & Maintenance guide by scanning the QR code

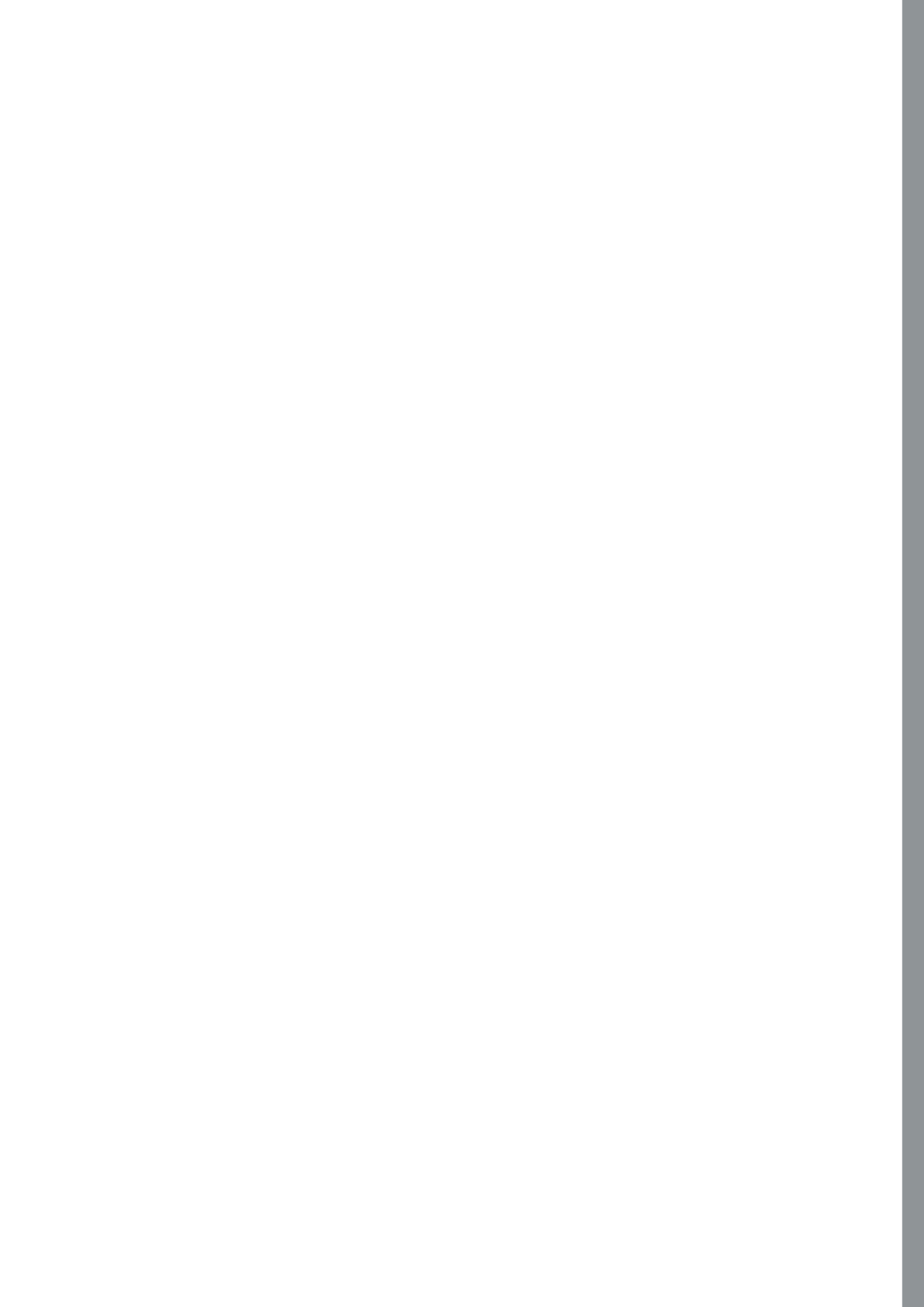


You can find more relevant information on Colour Cabinet by scanning the QR code

You can also find the same information here  
[hay.dk/downloads](https://hay.dk/downloads)









Havnen 1 8700 Horsens Denmark  
+45 4282 0282 / hay@hay.com

05/04/2022

**HAY**