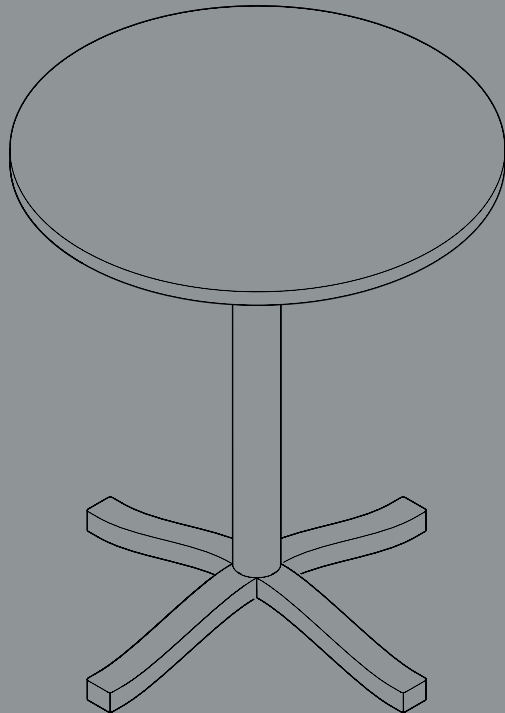


- INSTRUCTION MANUAL -

# PASTIS TABLE

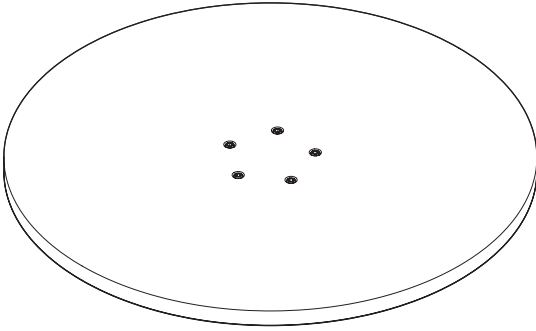


DESIGN BY JULIEN RENAULT

**HAY**



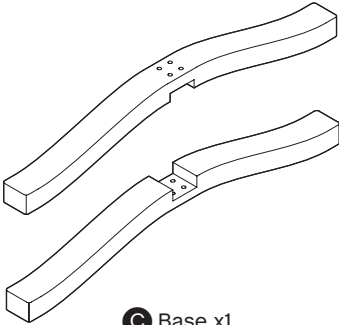
- PARTS -



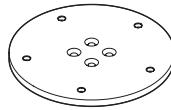
**A** Tabletop x1



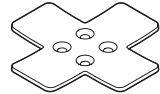
**B** Column x1



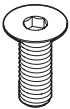
**C** Base x1



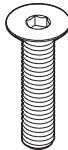
**D** Plate x1



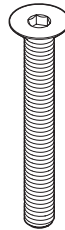
**E** Bracket x1



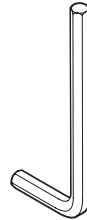
**F** Screw x5



**G** Screw x4

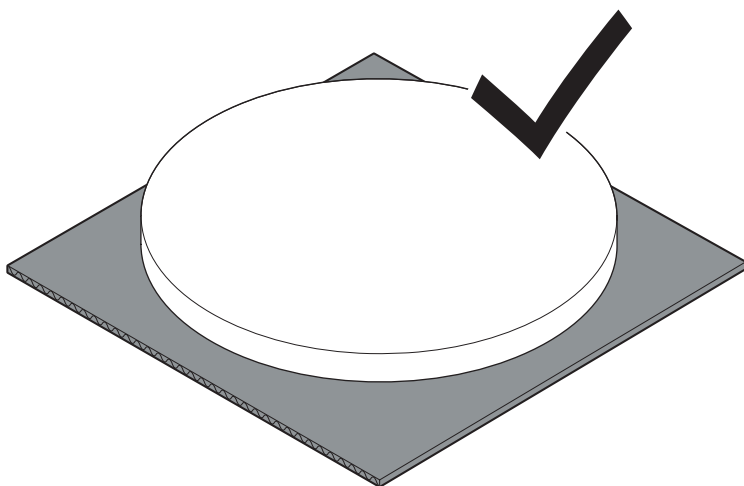
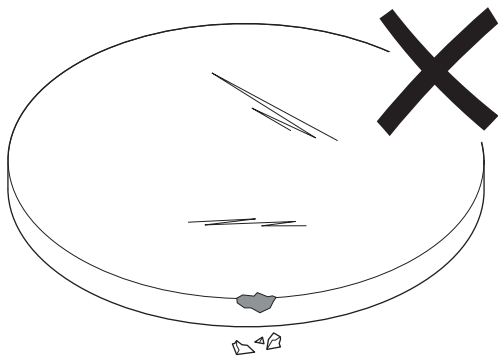


**H** Screw x4



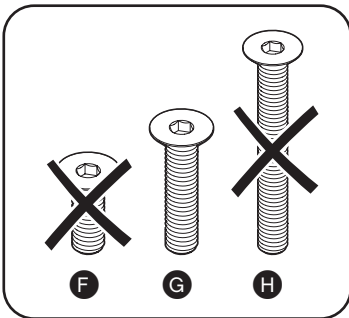
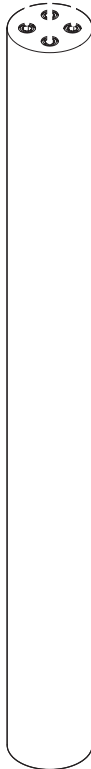
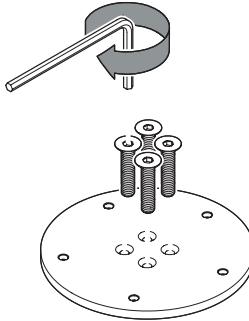
**I** Allen key x1

Protect the tabletop from scratches and other damage while assembling.



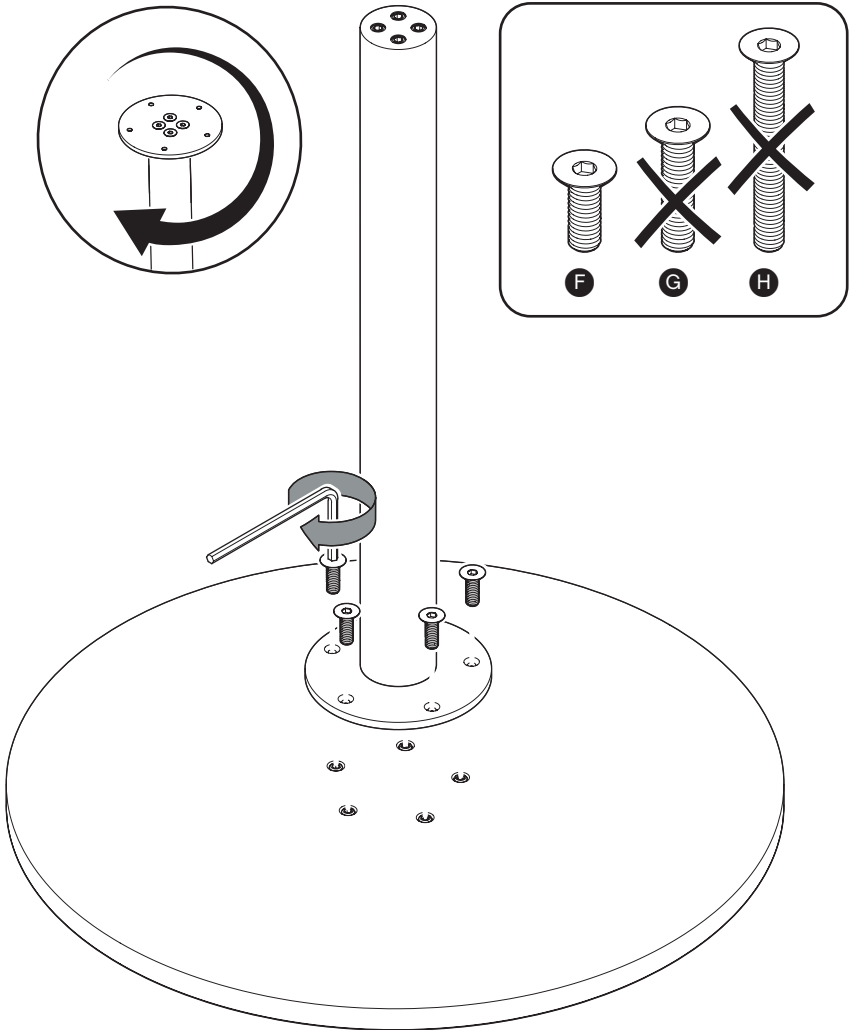
1.

Connect the plate **D** to the column **B** using screws **G**. Mount all screws and tighten them lightly with the Allen key **I**, before tightening them completely.



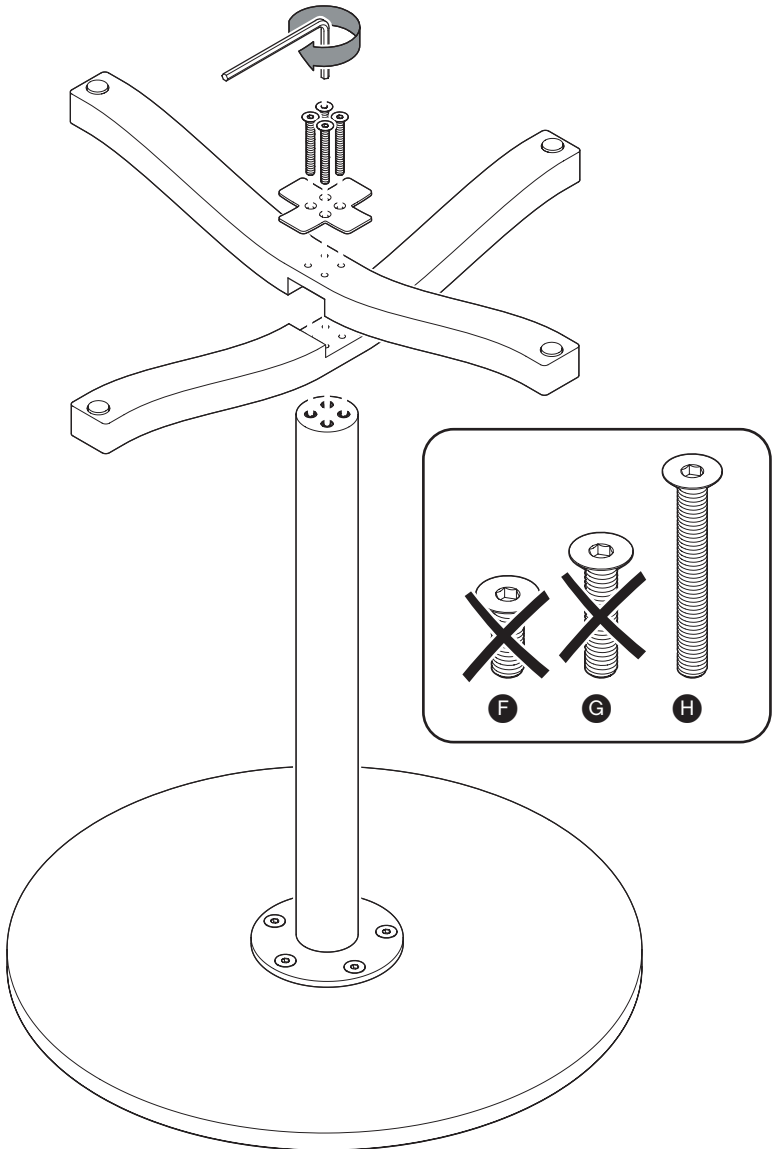
2.

Connect the column and plate to the tabletop **A** using screws **F**. Mount all screws and tighten them lightly with the Allen key **I**, before tightening them completely.



3.

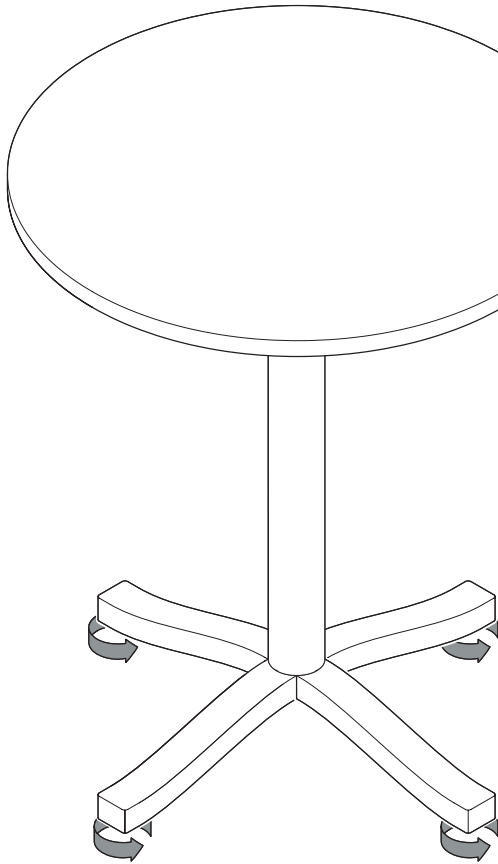
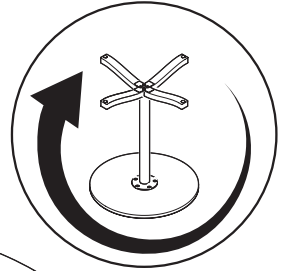
Line up the base cross **C** and the bracket **E** and connect them to the column using screws **H**. Mount all screws and tighten them lightly with the Allen key **I**, before tightening them completely.



4.

Turn the table over.

If the floor is uneven, adjust the feet to ensure the table is stable.





- CARE & MAINTENANCE -

Our Care & Maintenance offers guidance for optimal maintenance of your HAY product. It includes advice and instructions on cleaning and caring for specific materials to prolong the life of your furniture.



Please find our Care & Maintenance guide by scanning the QR code



You can find more relevant information on Pastis Table by scanning the QR code

You can also find the same information here  
[hay.dk/downloads](http://hay.dk/downloads)





Havnen 1 8700 Horsens Denmark  
+45 4282 0282 / hay@hay.com

14/03/2022

**HAY**