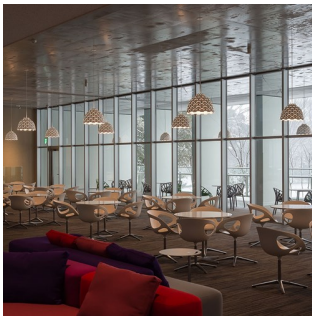


LC Shutters

The fixture emits a primarily downward illumination. The perforated pattern on the shade provides a soft illumination around the fixture. Meanwhile, the perforation helps to lighten up the surface of the shade in a decorative way, when it is turned on, thereby maintaining the contour of the fixture, whether it is on or off. The light source is surrounded by an opal diffuser, which ensures that the fixture is 100% glare-free, and that the fixture is suitable for several types of light sources providing the same light distribution and comfort. And finally, the shape of the diffuser allows a beautiful view into the fixture.



**Jissen 120th
memorial square
(Jissen Women's
University)**



**Yokohama College of Dental Care and
Health Sciences**

Product info

Mounting

Suspension type: Cable 2x1mm². Canopy: Yes. Cable length: 3m.

Finish

White, powder coated.

Materials

Shade: Spun aluminium. Punched and embossed. Suspension: Powder coated die casted aluminium. Diffuser ball: Mouth-blown white opal glass.

Sizes and weights

Width x Height x Length (mm) | 440 x 301 x 440 Max 3.8 kg

Class

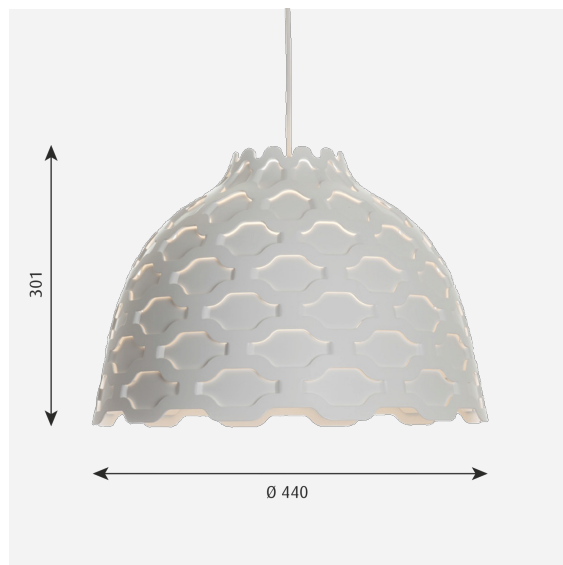
Ingress protection IP20. Electric shock protection II wo. ground.

Specification notes

The innovation of light sources is ongoing. Consequently, we only inform about the maximum wattages. On www.louispoulsen.com we update a list of recommended light sources.

Light source

1x70W E27



Product variants

Light source

1x70W E27

Product description

Suspended metal luminaire.
Classic bell design.
Perforated shade provides self-illumination.
Available in all white or with coloured accents.
Durable design with lightweight appearance.

Mounting

Can be mounted on 4" octagonal junction box (USA only)

Light description

Glare free, mostly downlight distribution.
Glare free, diffuse illumination.

Design

Louise Campbell

Material

Shade: spun aluminium, 3mm (0.12") thick, white powder coated.
Inner diffuser: cast opal polycarbonate, 2mm (0.08") thick.
Struts: cast aluminium, 3mm (0.12") thick, white powder coated.
Socket: Polycarbonate, GU24 base for self-ballasted high efficiency lamps.
Canopy: 5.3" diameter x 0.9" tall cone of spun aluminum.
Cable: white PVC coated, 12 ft. (USA)

Weight

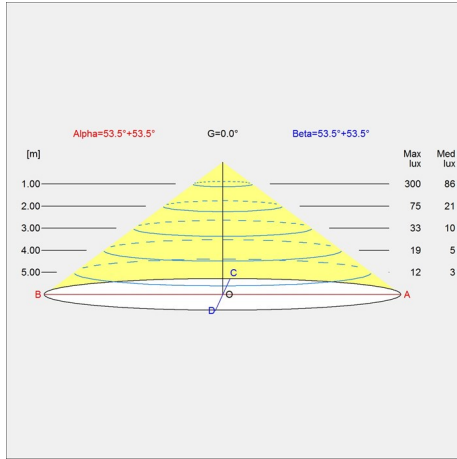
3.756

Finish

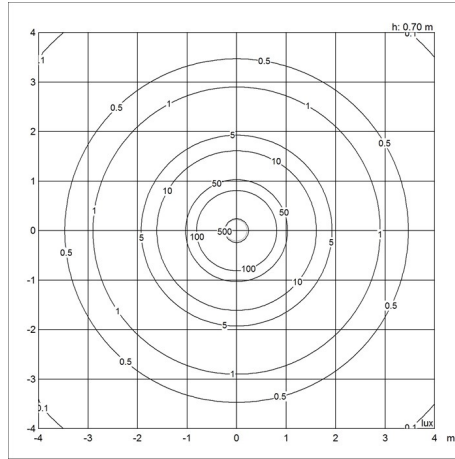
White

Light distribution diagrams

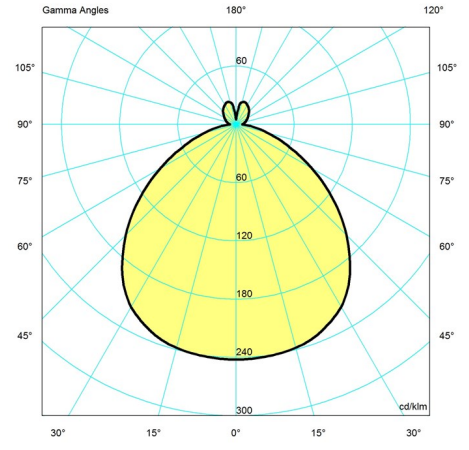
Cartesian



Isolux



Polar



Spare parts & accessories

Product

CANOPY WHITE 2-PART, TOPHAT ©
 LC SHUTTERS 70W SUSPENSION V2
 LC SHUTTERS DIFFUSER BALL V2

Variant number

5749329034
 5741094626
 5741094639