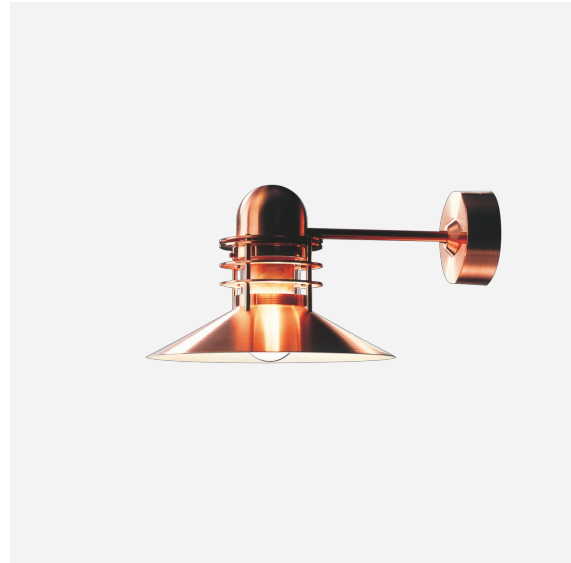


Nyhavn Wall

The conical shade ensures comfortable light that is directed downwards in a wide beam. The shade interior has a white matt painted surface, ensuring uniform light distribution. The rings ensure that a stray light is controlled, and direct a small amount of light onto the top side of the shade for self-illumination.



Skagen



Fuchu City Junior High School No. 3

Product info

Information

Please note that the copper versions are untreated in order to achieve a verdigris finish over time. This can result in an inconsistent surface finish prior to the product achieving full patina.

Mounting

Terminal block: 1x3x2.5mm². Cable entries: 2x bottom + 3x rear entries for Ø 10-14.5mm cable. Looping: Approved, max. 3x1,5mm².

Finish

Copper, brushed or white, wet painted.

Materials

Shades: Spun aluminium or spun copper. Enclosure: Clear glass. Top: Spun aluminium or spun copper. Wall box: Die cast aluminium. Wall box cover: Spun aluminium or spun copper. Arm: Copperplated, red brass or steel.

Sizes and weights

Width x Height x Length (mm) | 310 x 225 x 445 Max 4.1 kg

Class

Ingress protection IP44. Electric shock protection I w. ground.

Specification notes

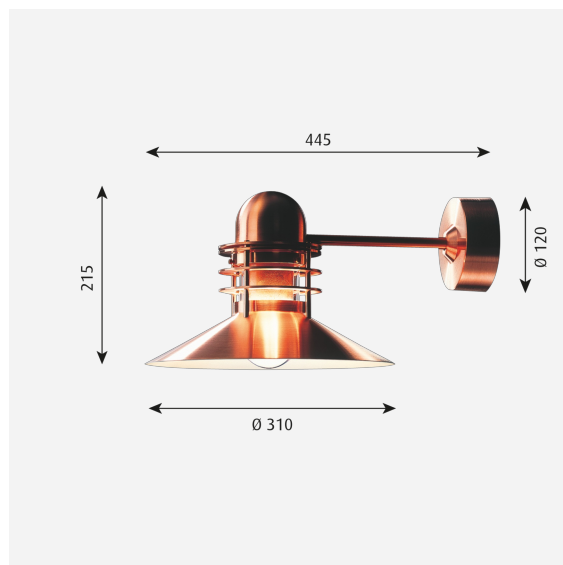
The innovation of light sources is ongoing. Consequently we only inform about the max. wattages. On www.louispoulsen.com we update a list of recommendable light sources.

Light source

1x100W E27

Information

Please note that the copper versions are untreated in order to achieve a verdigris finish over time. This can result in an inconsistent surface finish prior to the product achieving full patina.



Product variants

Colour

- Brushed copper
- White

Light source

1x100W E27

Product description

A conical shaped main shade with 3 rings on top and on top of that a fixture housing for connection to the wall arm.

A straight wall arm mounted in a round wall box holds the fixture.

A clear glass inside the rings and shade covers the lamp.

The copper version will develop a verdigris finish over time.

Is a member of a product family for both outdoor and indoor.

Terse design

Different material variants.

Mounting

EU:

Terminal block: 1x3x2,5mm².

Cable entries: 2x bottom + 3x rear entries for Ø 10-14,5mm cable.

Looping: Approved, max. 3x1,5mm².

US:

Back plate dimension: 6" diameter. Mounts over outlet box. Requires 3 x 0.2" bolts and anchors or similar hardware suitable for wall material (not provided). Caulking required between wall and back plate for wet locations (not provided).

Light description

The fixture emits symmetrical light directed downwards.

The white painted matt inside of the shade ensures a uniform and comfortable light distribution.

A small part uplight is directed by the 3 rings on to the outside of the main shade to make the shape recognizable when the light is on.

The stray light reflected from the rings create a nice light pattern on the wall.

Design

Alfred Homann & Ole V. Kjær

Material

Shades: Spun aluminium with white wet painted finish or spun copper heavy gauge untreated brushed. 1,0mm (0. 04") thick. All variants have white wet painted undersides.

Rings: Die cast aluminium with white wet painted finish or die cut untreated brushed copper. 3,0mm (0. 12") thick.

Inside housing: Die cast aluminium with white wet painted finish or die cast red brass, copper plated. 3,0mm (0. 12") thick.

Enclosure: Clear glass, 2,5mm (0. 1") thick.

Top: Spun aluminium with white wet painted finish or spun copper. 1,0mm (0. 04") thick.

Wall box: Die cast aluminium, 2,0mm (0. 08") thick.

Wall box cover: Spun aluminium with white wet painted finish or spun untreated brushed copper, 1,3mm (0. 05") thick.

Arm: Copper plated, red brass or steel with white wet painted finish, 1,5mm (0. 06") thick. .

Weight

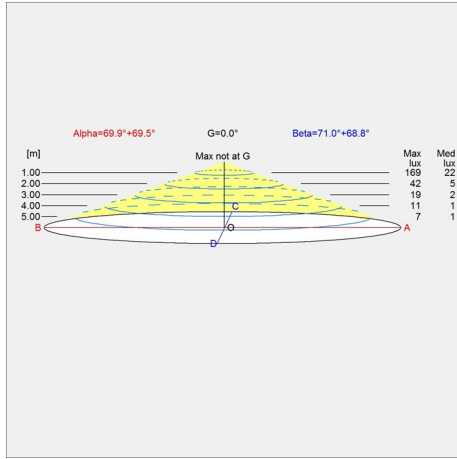
Min: 3.07 kg Max: 4.09 kg

Finish

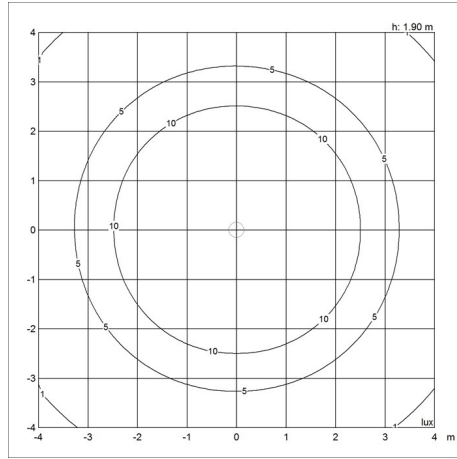
Brushed copper, White

Light distribution diagrams

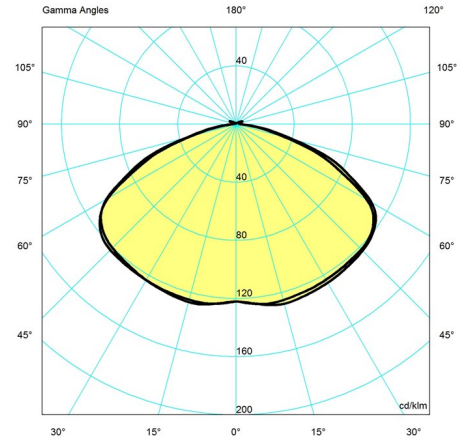
Cartesian



Isolux



Polar



Spare parts & accessories

Product

- NYHAVN WALL, GLASS CLEAR
- NYHAVN WALL, GLASS PARTLY FROSTED
- NYHAVN, SCREW F/GLASS
- NYHAVN WALL/PENDANT, GASKET

Variant number

- 5743590513
- 5743590526
- 5743590539
- 5743590555