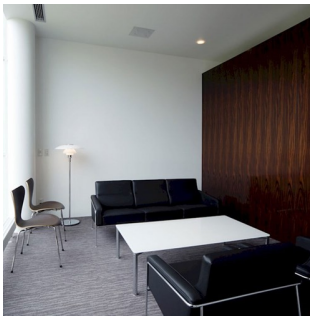


PH 4½-3½ Glass Floor

The fixture is designed based on the principle of a reflective three-shade system, which directs the majority of the light downwards. The shades are made of mouth-blown opal three-layer glass, which is glossy on top and sandblasted matt on the underside, giving a soft and diffuse light distribution.



Product info

Mounting

Cable type: Plastic cord with plug. Cable length: 3.3m. Light control: On/off switch on cord.

Finish

High lustre chrome plated. White opal glass.

Materials

Shades: Mouth-blown white opal glass. Anti glare ring: Purple, spun aluminium. Top plate: High lustre chrome plated, spun brass. Base: High lustre chrome plated, spun brass. Stem: High lustre chrome plated, steel.

Sizes and weights

Width x Height x Length (mm) | 450 x 1250 x 450 Max 15.6 kg

Class

Ingress protection IP20. Electric shock protection II w/o ground.

Specification notes

The innovation of light sources is ongoing. Consequently we only inform about the max. wattages. On www.louispoulsen.com we update a list of recommendable light sources.

Light source

1x100W E27



Product family



PH 4½-4 Glass Pendant



PH 4½-3½ Glass Table

Product variants

Light source

1x100W E27

Product description

Portable fixture.

Terse and iconic design.

The size of the three shades is adjusted for optimum performance and comfort.

Interior surfaces of glass shades sandblasted to diffuse light.

Member of a family products of various sizes and type.

Mounting

Portable fixture plugs into standard wall outlet.

Light description

The fixture emits glare free, comfortable light.

Design

Poul Henningsen

Material

Shades: mouth blown white glass, 1.5mm (0.06") thick.

Struts: chrome plated steel.

Interior reflectors: spun aluminum, lilac powder coated.

Base: steel with chrome-plated brass cover.

Stem: extruded steel, chrome plated, 1.5mm (0.06") thick.

Switch: on/off, phenolic, on cord.

Socket: Porcelain, medium base for A-19, frosted envelope lamps.

Weight

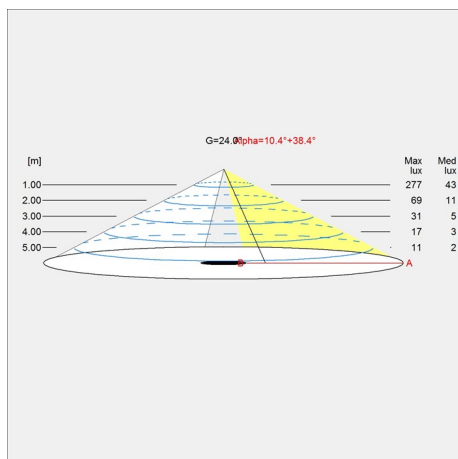
15.583

Finish

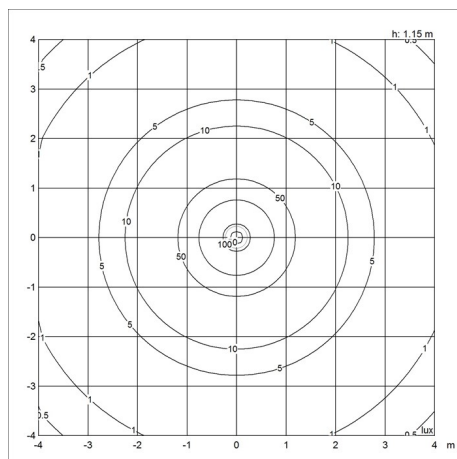
High lustre chrome plated

Light distribution diagrams

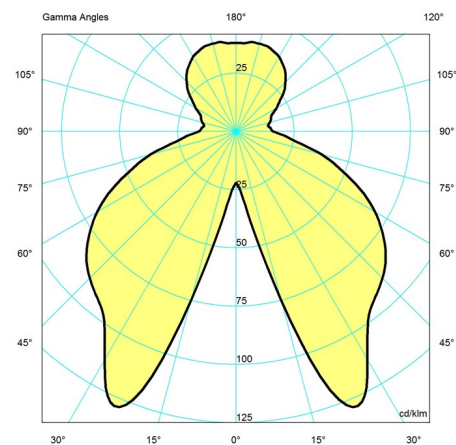
Cartesian



Isolux



Polar



Spare parts & accessories

Product

FINGER SCREW SS M3X12 (3PCS) LOWER
 PH 4½-3½ GLASS TABLE/FLOOR, MIDDLE SHADE
 PH 4½-3½ GLASS TABLE/FLOOR, LOWER SHADE
 PH 4½-3½ GLASS TABLE/FLOOR, TOPSHADE ACC
 FINGER SCREW SS M3X16 (3PCS) MIDDLE
 FOOT SWITCH, ON/OFF, BLACK

Variant number

5744610528
 5744610612
 5744610625
 5744610722
 5744610845
 5717000000