

PH 5-4½ & PH 6½-6

The trumpet-shaped top shade on the fixture provides illumination of the area above the three shades, which primarily direct the light downwards. A base reflector and a blue glare ring protect against glare from all angles. The strongest light is directly under the fixture. The shades have a matt white painted finish to ensure very comfortable lighting.



**Musashino
Academia
Musicae**



Statsministeriet

Product info

Information

PH 5-4½: LED Upgrade kit fits as standard PH 5-4½ E27 produced after 1983. PH 6½-6: The LED insert fits as standard PH 6½-6 E27/E40 produced after 1999. For PH 6½-6 produced prior to 1999 you need a renovation kit which can be acquired as an accessory. Please note the LED insert does not fit variants produced with metal halide. For LED replacement kits please do contact Louis Poulsen.

Mounting

PH 5-4½ (E27): Cable 3 x 0,75mm². Canopy: Yes. Cable length: 3m. PH 5-4½ (LED): Cable 2 x 1,5mm². Canopy: Yes. LED canopy contains driver. Cable length: 4m. PH 6½-6 (LED): Cable 2 x 1 mm² and wire. Canopy or external driver box contains driver. Cable length: 4m. Maximum distance between external driver box and fixture: 20m.

Finish

White.

Materials

Shades: Spun aluminium. Anti-glare disc: Blue, spun aluminium. Struts: Rolled aluminium coloured.

Sizes and weights

Width x Height x Length (mm) | 466 x 318 x 466 Max 3.6 kg | 650 x 500 x 650 Max 8.6 kg

Class

Ingress protection IP20. Electric shock protection I w. ground.

Light source

1x70W E27

Information

PH 5-4½: LED Upgrade kit fits as standard PH 5-4½ E27 produced after 1983.

PH 6½-6: The LED insert fits as standard PH 6½-6 E27/E40 produced after 1999. For PH 6½-6 produced prior to 1999 you need a renovation kit which can be acquired as an accessory. Please note the LED insert does not fit variants produced with metal halide. For LED replacement kits please do contact Louis Poulsen.



Product variants

Dimension	Cable type	Light source	Lumen	Lighting control	Special accessories
5-4½	WHT TEX	1x70W E27	-	-	-
6½-6	WHT TEXWIRE	LED 2700K 96W	1446	Dali	Ext. driver
		LED 3000-1800K D2W 41W	1755	Phase dimming (mains dimm)	Int. driver
		LED 3000K 41W	4686	Wireless bluetooth	
		LED 3000K 96W	4875		

Design

Poul Henningsen

Weight

Min: 2.54 kg Max: 8.559 kg

Dimensions

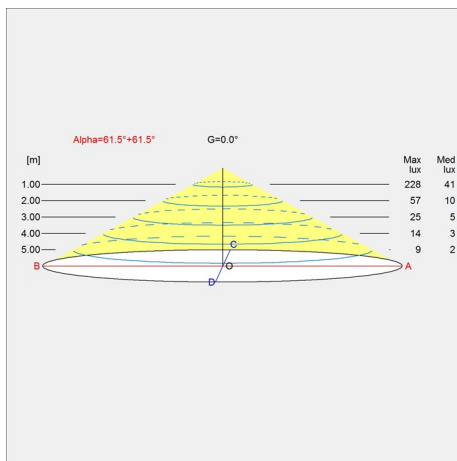
5-4½, 6½-6

Finish

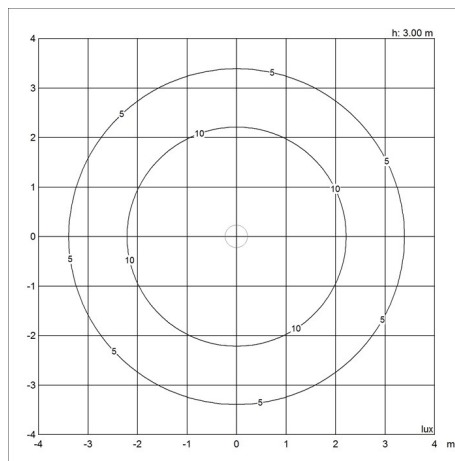
White

Light distribution diagrams

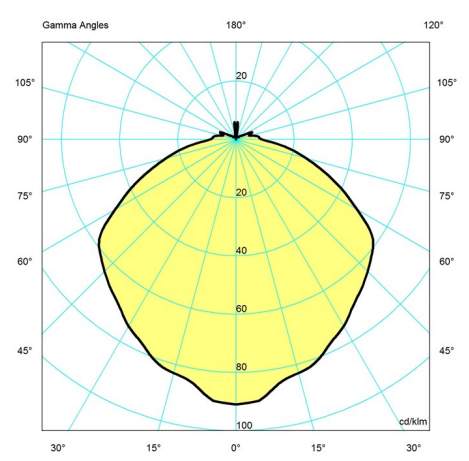
Cartesian



Isolux



Polar



Spare parts & accessories

Product	Variant number
CANOPY WHITE 2-PART, TOPHAT ®	5749329034
PH 6½-6 PEN RENOVATION KIT SUSP BEFORE99	5741097050
PH 6½-6 SUSP-KIT LED-DA 27K90 INT/DRV	5741110979
PH 6½-6 SUSP-KIT LED-DA 3K90 INT/DRV	5741110982
PH 6½-6 SUSP-KIT LED-DA 27K90 EXT/DRV	5741110995
PH 6½-6 SUSP-KIT LED-DA 3K90 EXT/DRV	5741111004
PH 6½-6 SUSP-KIT LED-WB 27K90 INT/DRV	5741111017
PH 6½-6 SUSP-KIT LED-WB 3K90 INT/DRV	5741111020
BOTTOM ASSEMBLY COMPLETE PH 5-4½	5741481815