

# PH 5

The fixture provides 100% glare-free light. Its design is based on the principle of a reflective three-shade system, which directs majority of the light downwards. The fixture emits both downward and lateral light, thus illuminating itself.



Restaurant  
Madsen



## Product info

### Information

Colour of anti-glare disc: Classic, Monochrome Blue and Hues of Orange: Blue. Hues of Red and Hues of Rose: Green. Hues of Green and Hues of Blue: Red. Hues of Grey and Modern White: Rose. Monochrome Black: Black. Monochrome White: White. Copper version: Copper. Brass version: Brass. Colour of struts: Classic: Purple. Copper version, Brass version and Monochrome White: White. Monochrome Blue: Blue. Monochrome Black: Black. Modern White and Hues of colours: Bronze coloured. Cable and canopy: Monochrome Black: Black cable and canopy. All others: White cable and canopy. Please note that the copper and brass surface is untreated. This means that the surface will change over time and develop a patina. This process may have already begun when the product is delivered.

### Mounting

Suspension type: Cable 2x1mm<sup>2</sup>. Canopy: Yes. Cable length: 3m.

### Finish

Classic (white) or Modern White: Matt powder coated. Monochrome Black, Monochrome Blue, Monochrome White, Hues of Blue, Hues of Green, Hues of Grey, Hues of Orange, Hues of Red, Hues of Rose: Matt wet painted. Metal versions: Polished brass or copper and white, matt powder coated. Please note that the copper and brass surface is untreated. This means that the surface will change over time and develop a patina.

### Materials

Shades and anti-glare disc: Spun aluminium, spun copper or spun brass. Struts: rolled aluminium.

### Sizes and weights

Width x Height x Length (mm) | 500 x 267 x 500 Max 3.5 kg

### Class

Ingress protection IP20. Electric shock protection II w/o ground.

### Specification notes

The innovation of light sources is ongoing. Consequently we only inform about the max. wattages. On [www.louispuulsen.com](http://www.louispuulsen.com) we update a list of recommendable light sources.

### Light source

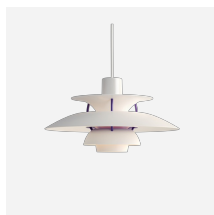
1x75W E27

### Information

Colour of anti-glare disc: Classic, Monochrome Blue and Hues of Orange: Blue. Hues of Red and Hues of Rose: Green. Hues of Green and Hues of Blue: Red. Hues of Grey and Modern White: Rose. Monochrome Black: Black. Monochrome White: White. Copper version: Copper. Brass version: Brass. Colour of struts: Classic: Purple. Copper version, Brass version and Monochrome White: White. Monochrome Blue: Blue. Monochrome Black: Black. Modern White and Hues of colours: Bronze coloured. Cable and canopy: Monochrome Black: Black cable and canopy. All others: White cable and canopy. Please note that the copper and brass surface is untreated. This means that the surface will change over time and develop a patina. This process may have already begun when the product is delivered.



## Product family



PH 5 Mini

# Product variants

Colour	Cable type	Light source
<input checked="" type="radio"/> Brass	BLK TEX	1x75W E27
<input type="radio"/> Copper	WHT TEX	
<input type="radio"/> Hues of blue		
<input type="radio"/> Hues of green		
<input type="radio"/> Hues of grey		
<input type="radio"/> Hues of orange		
<input type="radio"/> Hues of red		
<input type="radio"/> Hues of rose		
<input type="radio"/> Monochrome black		
<input type="radio"/> Monochrome blue		
<input type="radio"/> Monochrome white		
<input type="radio"/> White classic		
<input type="radio"/> White modern		

# Product description

Suspended shade luminaire  
4 shades ensures minimal direct view of lamp  
Geometry created to ensure illumination of large rooms  
Iconic design  
Family of two dimensions  
Top shade to hide insert

---

## Mounting

Can be mounted on 4" octagonal junction box. (USA only)  
Relamping by removing bottom-center glare shield held in place with spring-loaded tabs.

---

## Light description

Spherical light distribution  
Top trumpet shaped shade provides vertical illumination of room  
Three lower primarily directs light down  
Internal reflector and bottom glass shield protect against glare  
Geometry ensures uniform light around the fixture  
Matte painted undersurfaces of shades creating uniform light distribution around the fixture

---

## Design

Poul Henningsen

---

## Material

Shades: Spun aluminum, 0.8 mm (0.03") thick.  
On PH5 White and PH50 variants: red interior adds warmth to light.  
Internal struts of matte chrome plated aluminum.  
Socket: Porcelain, medium base, for A-23 clear envelope lamps.  
Socket position is adjustable to allow correct lamp position and fixture illumination.  
Canopy: 5.3" diameter x 0.9" tall cone of spun aluminum.  
Cable: white PVC coated, 12 ft. (USA)

---

## Weight

Min: 1.835 kg Max: 3.453 kg

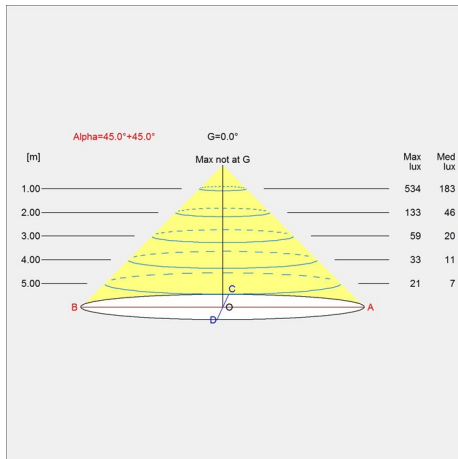
---

## Finish

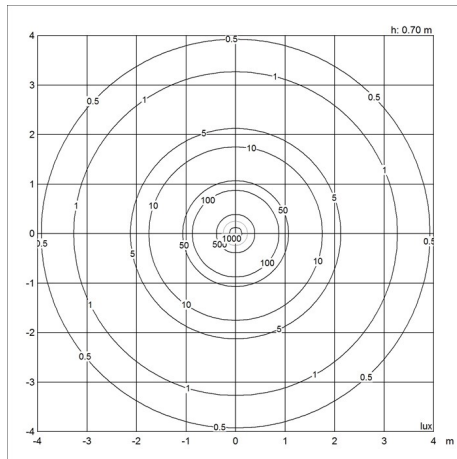
Brass, Copper, Hues of blue, Hues of green, Hues of grey, Hues of orange, Hues of red, Hues of rose, Monochrome black, Monochrome blue, Monochrome white, White classic, White modern

# Light distribution diagrams

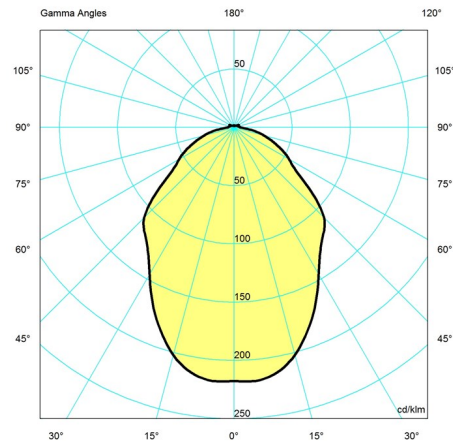
Cartesian



Isolux



Polar



## Spare parts & accessories

Product	Variant number
CANOPY WHITE 2-PART, TOPHAT ®	5749329034
PH 5, ELECTRICAL ASSEMBLY, WHITE, F/OLD	5741086498
PH5 PLUS/PH50 GLASS DISC	5741093300
BEARING PLATE 10/56 T/STANDARD SUSP.	5741480667
EXTENSION NIPPLE F/STAND. SUSPEN	5741480670
PH 5 RED/BLUE, 100W INC BOTTOM PLATE	5741481394
PH 5 (CLASSIC) SPACERS (1 SET)	5741093407
PH 5 SPACERS PAINTED BRONZE (1 SET)	5741100235
RELIEF NIPPLE WHITE	5741481268
PH 50 SPACERS (1 SET)	5741100015
PH 5 (PLUS) WHT MATT ELEC ASSEMB	5741086443
PH 5 SPACERS PAINTED WHITE (1 SET)	5741100248
PH 5 SPACERS MONOCHROME WHITE (1 SET)	5741106093
PH 5 SPACERS MONOCHROME BLUE (1 SET)	5741106103
PH 5 SPACERS MONOCHROME BLACK (1 SET)	5741106116
CANOPY BLACK 2-PART, TOPHAT ®	5749329021