

Panthella MINI

The fixture emits a glare-free, soft and comfortable illumination. The metal shade versions direct the light directly downwards and create a pleasant illumination due to the inner white painted shade and the reflection from the trumpet shaped stem. The opal acrylic version leaves a diffuse comfortable light atmosphere due to the translucent shade, the downward reflection from the inner shade and the reflection from the trumpet stem.



Set location -
The Qvest

**louis
poulsen**

Product info

Information

White cord on opal, white and brass metallised versions. Black cord on all other versions. LED driver fitted externally on cord. Turn on/off the light with light fading in/out. Stepless dim of the light to a suitable level between 15 and 100%. Timer function to automatically turn off the light after an amount of time, selectable between off/4 hours/8 hours. Function to set a fixed light level each time the lamp is connected to main power. For LED replacement kit please contact Louis Poulsen.

Mounting

Plastic cord. Cable length: 2.5m. LED-driver: Separate, plugs into power outlet. Light control: In-line switch. Timer function: 4 hours/8 hours. Stepless dim between 15 and 100%.

Finish

White opal acrylic, High lustre chrome or Brass metallised. White, Black or Orange, powder coated.

Materials

Shade: Vacuum formed opal acrylic or deep drawn steel. Base and Housing: Cast aluminium.

Sizes and weights

Width x Height x Length (mm) | 250 x 335 x 250 Max 1.2 kg

Class

Ingress protection IP20. Electric shock protection II w/o ground.

Light source

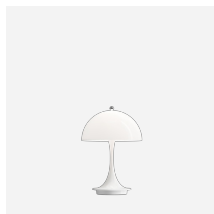
LED 2700K 10W
Lumen: 428

Information

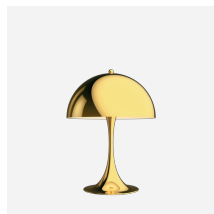
White cord on opal, white and brass metallised versions. Black cord on all other versions. LED driver fitted externally on cord. Turn on/off the light with light fading in/out. Stepless dim of the light to a suitable level between 15 and 100%. Timer function to automatically turn off the light after an amount of time, selectable between off/4 hours/8 hours. Function to set a fixed light level each time the lamp is connected to main power. For LED replacement kit please contact Louis Poulsen.



Product family



Panthella Portable



Panthella Table 320



Panthella Table



Panthella Floor

Product variants

Colour	Cable type	Light source	Lumen
<input checked="" type="radio"/> Black	BLK PL	LED 2700K 10W	428
<input type="radio"/> Brass metallised	WHT PL		460
<input type="radio"/> High lustre chrome plated			589
<input type="radio"/> Orange			
<input type="radio"/> White			
<input type="radio"/> White opal acryl			

Design

Verner Panton

Weight

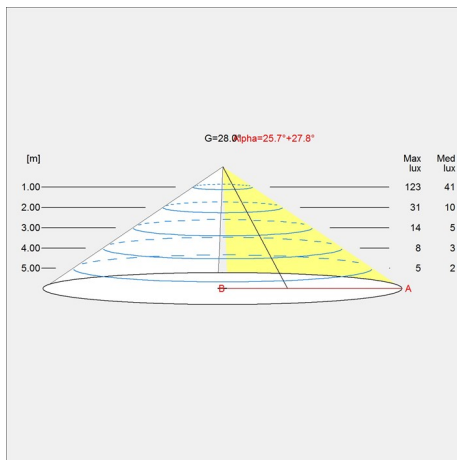
Min: 1.18 kg Max: 1.18 kg

Finish

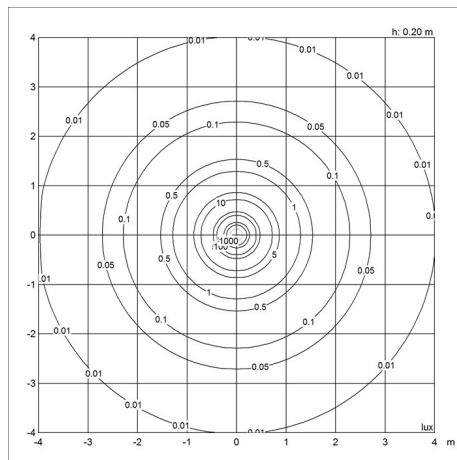
Black, Brass metallised, High lustre chrome plated, Orange, White, White opal acryl

Light distribution diagrams

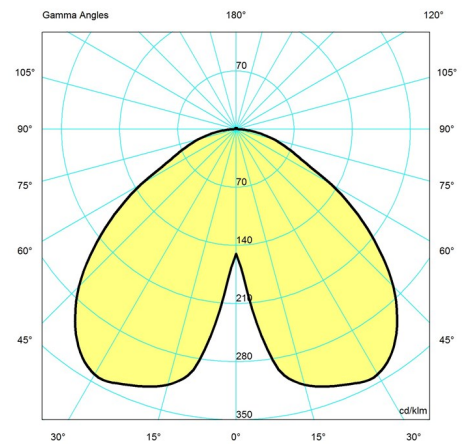
Cartesian



Isolux



Polar



Spare parts & accessories

Product	Variant number
PANTHELLA MINI TOP NUT	5744166234
PANTHELLA MINI SHADE YELLOW/GREEN	5744166247
PANTHELLA MINI SHADE WHITE	5744166250
PANTHELLA MINI SHADE BLACK	5744166263
PANTHELLA MINI SHADE BLUE/GREEN	5744166276
PANTHELLA MINI SHADE PINK	5744166289
PANTHELLA MINI SHADE BLUE	5744166292
PANTHELLA MINI SHADE RED	5744166302
PANTHELLA MINI SHADE YELLOW	5744166315
PANTHELLA MINI SHADE ORANGE	5744166328
PANTHELLA MINI SHADE VIOLET	5744166331
PANTHELLA MINI SHADE OPAL	5744166344
PANTHELLA MINI SHADE CHROME	5744162568
PANTHELLA MINI DIFFUSER	5744161828
PANTHELLA TABLE MINI SHADE BRASS PVD	5744167589
PANTHELLA TABLE MINI TOP NUT BRASS PVD	5744167660
ADAPTOR 12V BLK	5744164867
ADAPTOR 12V WHT	5744164870